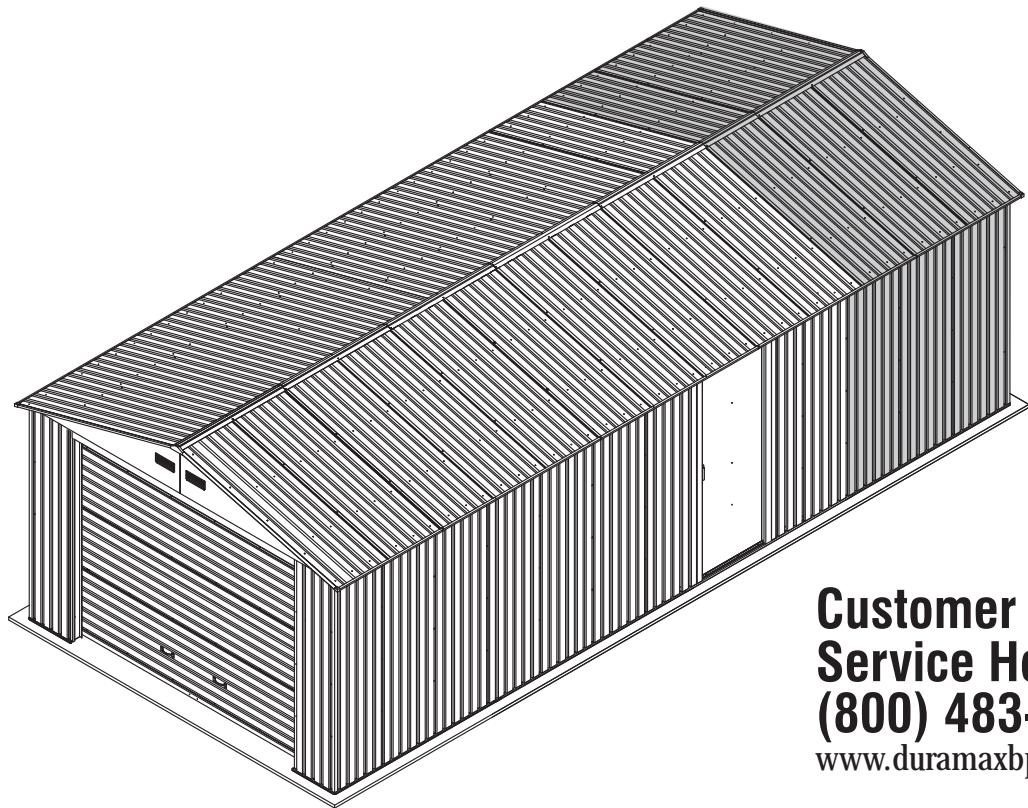


Metal Garage

OWNER'S MANUAL /
Instructions for Assembly
Size 12 Ft x 20 Ft / 3.7 Mtr. x 6.1 Mtr. with
12 Ft x 6 Ft / 3.7 Mtr. x 1.8 Mtr. (Approx.) " Extension Kits"
 Ver: 5.0



**Customer
 Service Hotline**
(800) 483-4674
www.duramaxbp.com

- Tall Walk in Garages
- Quick and Easy Assembly
- Ridge Reinforced Walls
- Wide Single Front Shutter Door

PART 1
ASSEMBLING GARAGE WITH EXTENSION KIT
PART 2
ADDING EXTENSION KIT TO EXISTING GARAGE

Call us for any missing or damaged parts.
 Do not return to the store.

Building Dimensions :									
Approximate Size	Storage		Exterior Dimension				Interior Dimension		
	Area	Volume	Base Dimension		Roof Edge to Edge		Wall to Wall		
			inch	cm.	inch	cm.	inch	cm.	
12 Ft x 6 Ft	62 5/8 Sq. Ft.	430 5/8 Cu.Ft.	Width	138 5/8	352.1	145 5/8	370	127 1/8	323
3.7 Mtr. x 1.8 Mtr.	5.82 Sq.Mtr.	12.19 Cu.Mtr.	Depth	71	180.2	71	180.2	71	180.2
			Height			102 1/4	259.6	82 1/2	209.6

Note - Basic Garage dimensions are available in basic garage manual.

Duramax Garages

Limited Ten Year Warranty

U.S. Polymer Inc. will send a replacement part free of charge, in the event of material defects and or workmanship for a period of ten years from the date of purchase. In the event of a defect covered by the warranty, US Polymers shall replace the defective part, but shall not be responsible for shipping, labor, or other charges.

This warranty is extended only to the original purchaser. A purchase receipt or other proof of date of original purchase will be required before warranty service is rendered. In no event shall we pay the cost of flooring, labor, installation or any other costs related thereto.

This warranty only covers failures due to defects in material or workmanship which occurs during normal use and does not extend to color change arising due to normal weathering or to damage resulting from misuse or neglect, commercial use, failure to follow assembly instructions and the owner's manual (including proper anchoring of the shed), painting, forces of nature and other causes which is beyond our control.

Claims under this warranty must be made within the warranty period by calling 1-800-483-4674 or mail in a dated sales slip and clear photograph of the part to:

U.S. Polymers, Inc.
1057 S.Vail Ave Montebello,
CA 90640

We reserve the right to discontinue or change components. If a component has been discontinued or is not available, U.S. Polymers, Inc. reserves the right to substitute a component of equal quality as may be compatible.

Limits and Exclusions

There are no express warranties except as listed above. The warrantor shall not be liable for incidental or consequential damages resulting from the use of this product, or arising out of any breach of this warranty. All express warranties are limited to the warranty period set forth above. Some states do not allow the exclusion or limitation on how long an implied warranty lasts, so the above limitations may not apply to you.

This warranty gives you specific legal rights and you may also have other rights which vary from state to state or country to country.

Parts List



Note: Check all parts prior to installation.

ITEM	CODE	QTY.	ITEM	CODE	QTY.
1	BC01	4	64	CS13	2
2	BC02	2	65	CS14	2
3	BC03	1	66	DF01	1
4	BC04	1	67	DF02	1
5	BC05	2	68	DF03	1
6	FS01	4	69	SD03	1
7	FS02	4	70	BS01	2
8	FS03	12	71	BS05	2
9	FS04	4	72	BS06	2
10	FS05	4	73	BS07	2
11	FS06	4	74	DP02	1
12	FS07	8	75	GP01	2
13	FS08	4	76	GP02	2
14	FS09	2	77	BS12	1
15	FS10	2	78	BS13	1
16	FS11	6	79	BS14	4
17	CS01	2	80	BS15	2
18	CS02	2	81	BS16	2
19	CS03	2	82	WP01	17
20	CS04	4	83	WP02	2
21	CS05	1	84	WP03	1
22	CS08	1	85	WP04	1
23	CS10	2	86	WP05	3
24	CS11	1	87	WP06	1
25	CS12	1	88	WP07	1
26	RS01	11	89	WP08	1
27	RS02	1	90	RP01	2
28	RS03	4	91	RP02	12
29	RS04	4	92	RP03	2
30	RS05	4	93	RP04	2
31	WS01	2	94	RP05	2
32	WS02	2	95	SP01	2
33	WS03	4	96	SP02	1
34	WS04	2	97	SP03	1
35	WS05	3	98	CP01	4
36	WS06	1	99	CP02	4
37	WS07	1	100	CP03	2
38	WS08	2	101	BS17	1
39	WS09	2			
40	DF04	1			
41	DF05	1			
42	DF06	1			
43	DF07	1			
44	DS01	1			
45	DS02	1			
46	DS03	4			
47	SD01	1			
48	SD02	1			
49	SD04	1			
50	SD06	3			
51	SD07	1			
52	SD08	1			
53	RF01	4			
54	RF02	4			
55	RF03	4			
56	RF04	3			
57	RF05	1			
58	RF06	1			
59	BS02	16			
60	BS08	8			
61	CS06	2			
62	CS07	2			
63	CS09	4			

Tools You Will Need

- | | |
|-------------------------------|-------------------|
| Hand Gloves | 8' Step Ladder |
| Cordless Drill - Philips Head | Adjustable pliers |
| Screw driver - Philips Head | Level - 3ft. |
| Carpenter's Square | Tape Measure |
| Eye Protector | |
| Plumb Line | |

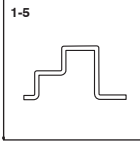
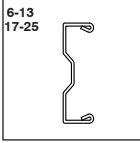
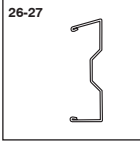
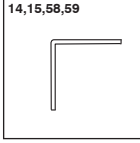
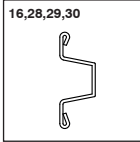
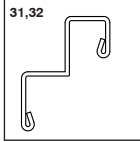
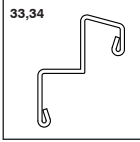
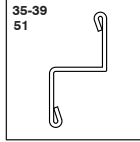
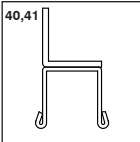
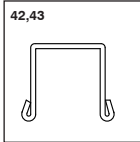
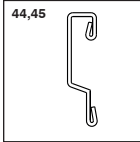
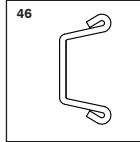
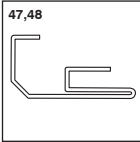
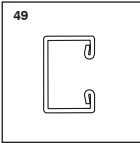
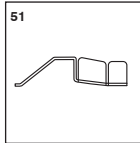
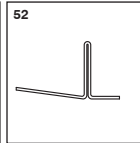
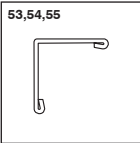
Note - Use screwdriver to separate out Nested profiles

IMPORTANT: USE HAND GLOVES TO PREVENT INJURY.

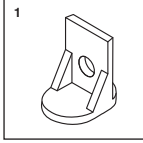
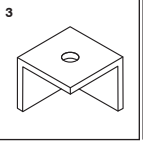
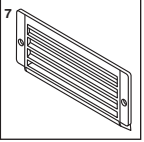
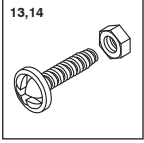
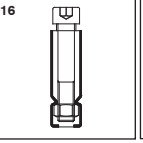
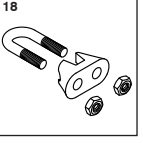
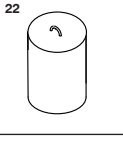
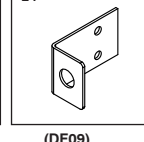
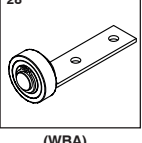
ACCESSORIES

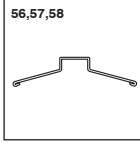
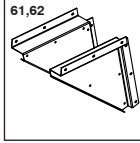
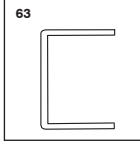
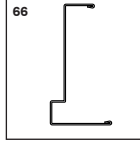
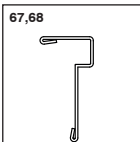
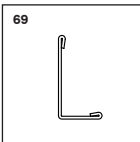
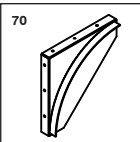
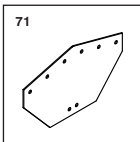
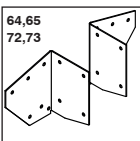
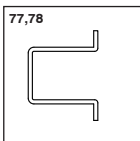
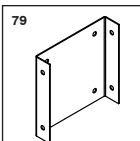
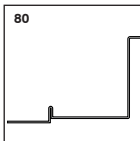
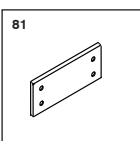
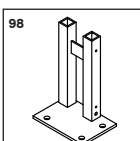
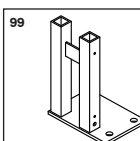
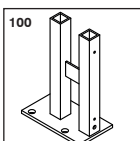
ITEM	CODE	QTY.
1	BS	3
2	DH	3
3	TC	4
4	MA47	2
5	MA48	4
6	FC	2
7	VC	4
8	PW	7 Slabs
9	PC	7 Slabs
10	WST	8 Mtr
11	S1	685
12	S2	369
13	S3	272
14	S8	27
15	S9	34
16	S14	32
17	STC	5.1Mtr
18	CU	2
19	DCBFP	2
20	FDH	2
21	GW	3
22	CW	5.0kg
23	DF08	1
24	DF09	1
25	DF10	1
26	BS18	1
27	F1	27
28	WBA	10
29	EDP1 (4.28 mtr.)	2
30	EDP2 (2.04 mtr.)	2
31	EDP3 (2.14 mtr.)	2

PROFILES

 1-5 BC01-BC05	 6-13 17-25 FS01-FS08 CS01-CS05 CS8,CS10-CS12	 26-27 RS01, RS02	 14,15,58,59 FS09, FS10 BS02, BS08
 16,28,29,30 FS11 RS03-RS05	 31,32 WS01,WS02	 33,34 WS03-WS04	 35-39 51 WS05-WS09 SD06
 40,41 DF04,DF05	 42,43 DF06, DF07	 44,45 DS01-DS02	 46 DS03
 47,48 SD01-SD02	 49 SD04	 51 SD07	 52 SD08
 53,54,55 RF01- RF03			

ACCESSORIES

 1 (BS)	 2 (DH)	 3 (TC)	 4 (MA47)	 5 (MA48)
 6 (FC)	 7 (VC)	 8 (PW)	 9 (PC)	 10 (WST)
 11,12 (S1,S2)	 13,14 (S3,S9)	 15 (S8)	 16 (S14)	 17 (STC)
 18 (CU)	 19 (DCBFP)	 20 (FDH)	 21 (GW)	 22 (CW)
 23 (DF08)	 24 (DF09)	 25 (DF10)	 26 (BS18)	 27 (F1)
 28 (WBA)	 29,30,31 (EDP1,EDP2,EDP3)			

 56,57,58 RF04 - RF06	 61,62 CS06, CS07	 63 CS09	 66 DF01
 67,68 DF02, DF03	 69 SD03	 70 BS01	 71 BS05
 64,65 72,73 BS06-BS07 CS13-CS14	 77,78 BS12, BS13	 79 BS14	 80 BS15
 81 BS16	 98 CP01	 99 CP02	 100 CP03

Note - Use screws with plastic washers on top of prepainted surface only.

IMPORTANT: USE HAND GLOVES TO PREVENT INJURY.

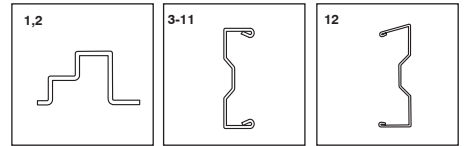
One Extension Parts List



Note: Check all parts prior to installation.

ITEM	CODE	QTY.
1	EBC01	1
2	EBC02	1
3	CS01	2
4	CS02	2
5	CS03	2
6	CS04	4
7	CS05	1
8	CS08	1
9	CS10	2
10	CS11	1
11	CS12	1
12	ERS01	6
13	RS03	1
14	RS05	2
15	EWS01	1
16	EWS02	1
17	EWS03	1
18	EWS04	1
19	RF02	2
20	RF04	1
21	ERF04	1
22	BS02	8
23	CS06	2
24	CS07	2
25	CS09	4
26	CS13	2
27	CS14	2
28	WP01	6
29	RP02	3
30	RP06	3
31	CP03	2

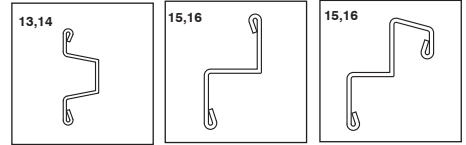
PROFILES



EBC01, EBC02

ERS01

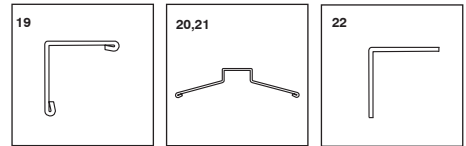
CS01-CS05
CS8, CS10-CS12



RS03, RS05

EWS01, EWS02

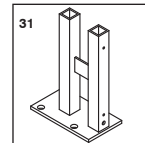
EWS03, EWS04



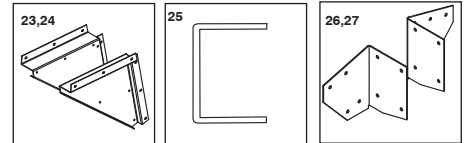
RF02

RF04, ERF04

BS02



CP03

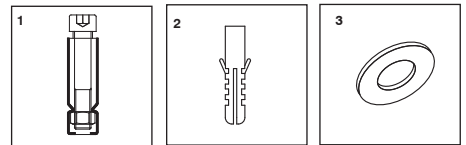


CS06, CS07

CS09

CS13, CS14

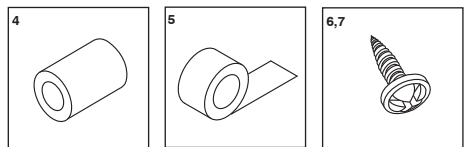
ACCESSORIES



(S14)

(F1)

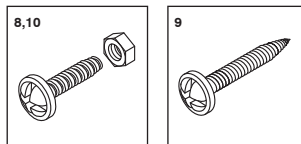
(PW)



(PC)

(WST)

(S1, S2)



(S3, S9)

(S8)

ACCESSORIES

ITEM	CODE	QTY
1	S14	8
2	F1	6
3	PW	2 Slabs
4	PC	1 Slab
5	WST	2.5 Meter
6	S1	169
7	S2	128
8	S3	72
9	S8	6
10	S9	6

Note - Use screws with plastic washers on top of prepainted surface only.

IMPORTANT: USE HAND GLOVES TO PREVENT INJURY.

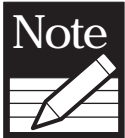
PART 1 : Assembling Garage with Extension Kit

A. Foundation, Column Stands & Base Channel

Note: It is important that these instructions are followed step by step.

Concrete Platform

The garage must be constructed on a solid base foundation. A concrete pad or a large size concrete patio stone squares is recommended for suitable floor base. Make sure it is firm and level and will allow drainage away from the site. The base foundation should be at least 4 inches(100mm)larger than the garage dimensions. Please refer to the front page of your owner's manual for the exterior dimensions of the garage. Manufacturer is not responsible for the choice and construction of the foundation



For a concrete pad base, prepare a level bed for a firm footing layer of crushed stone. The concrete pad should then be poured to a thickness of 4 inches (100mm) to 5 inches (125mm). Allow to dry thoroughly for at least 48 hours

Step - 1

Anchor Bolt Holes for Column Support



Use 12mm(1/2 Inch) Concrete drill bit.

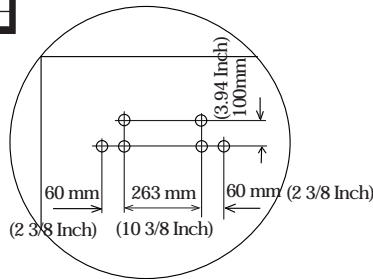


Fig.1

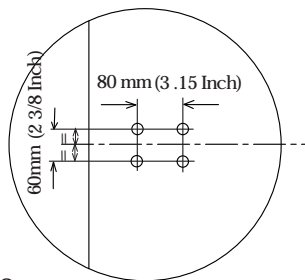


Fig.2

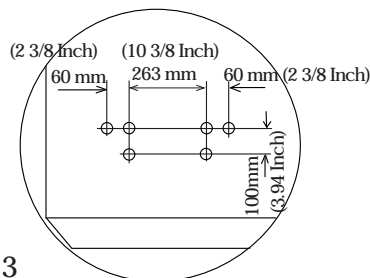


Fig.3

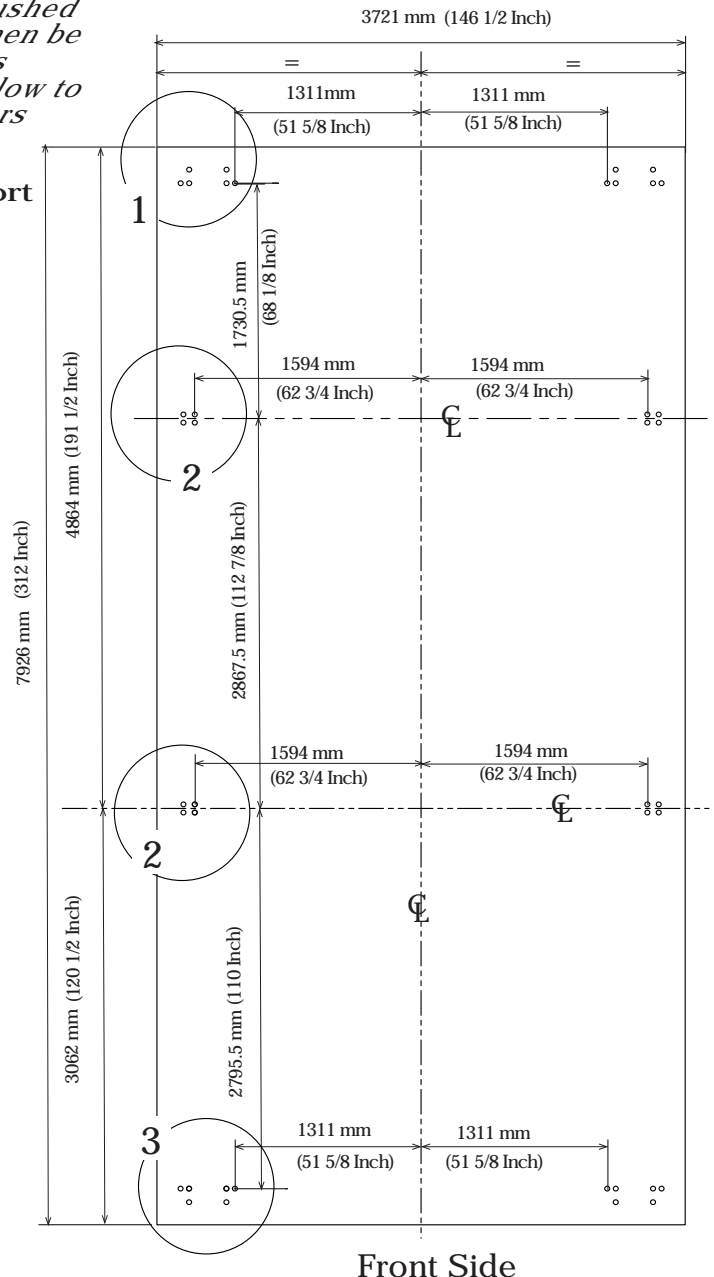
Parts Needed:

Code	Qty
BC01	4
BC02	2
BC03	1
BC04	1
BC05	2
CP01	4
CP02	4
CP03	2
S1	28
S8	27
S14	32
F1	27

Parts Needed for each extension:

Code	Qty
EBC01	1
EBC02	1
CP03	2
S1	8
S8	6
S14	8
F1	6

Back Side



Front Side

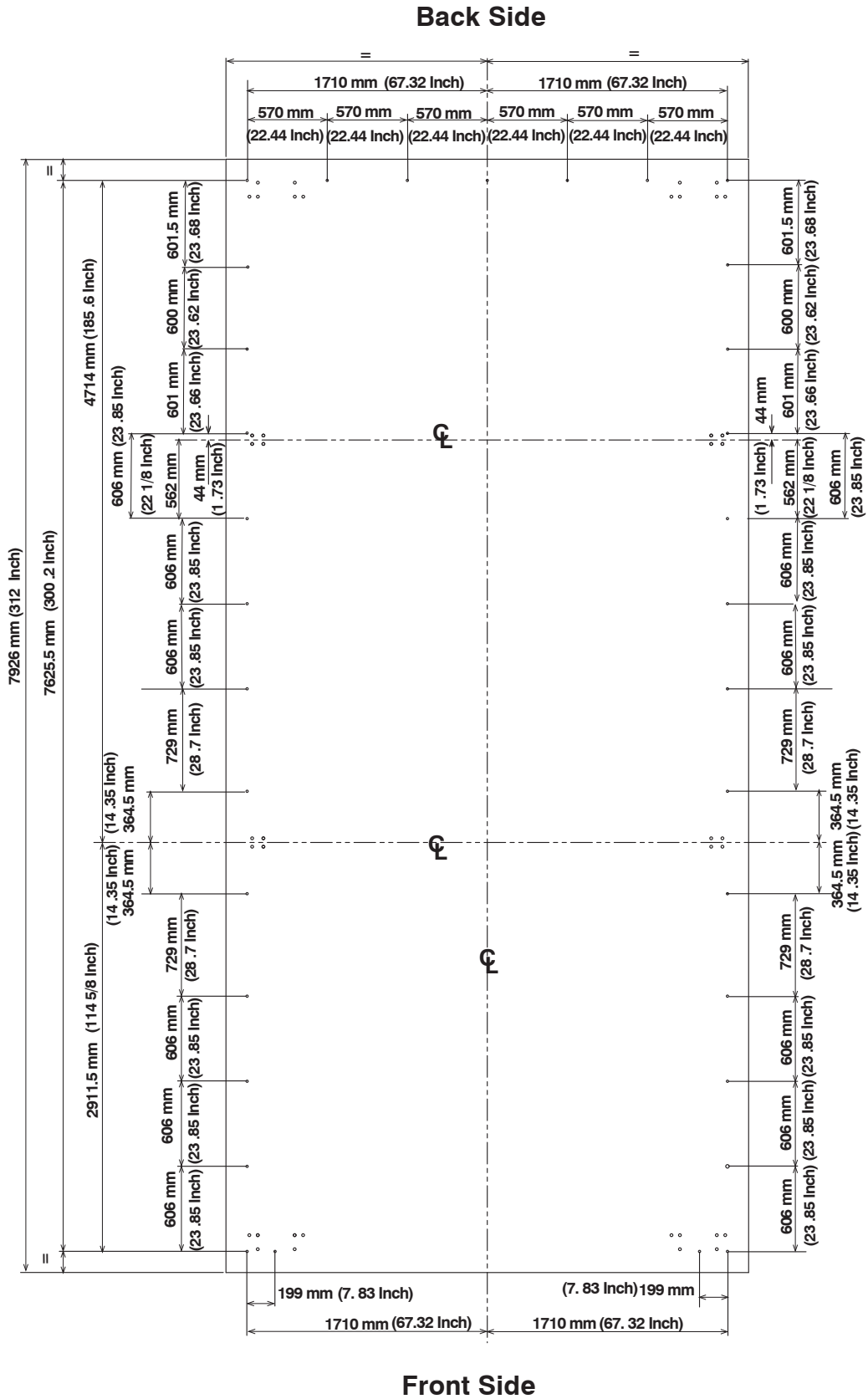
IMPORTANT: USE HAND GLOVES TO PREVENT INJURY.

Step - 2

PVC Wall Plug Holes for Base Channel



Use 6 mm (1/4 Inch) Concrete drill bit.



Hole Dimensions of Garage with Two Extension

1. Anchor Bolt Holes for Column Support

Details see Page 1 & 2.

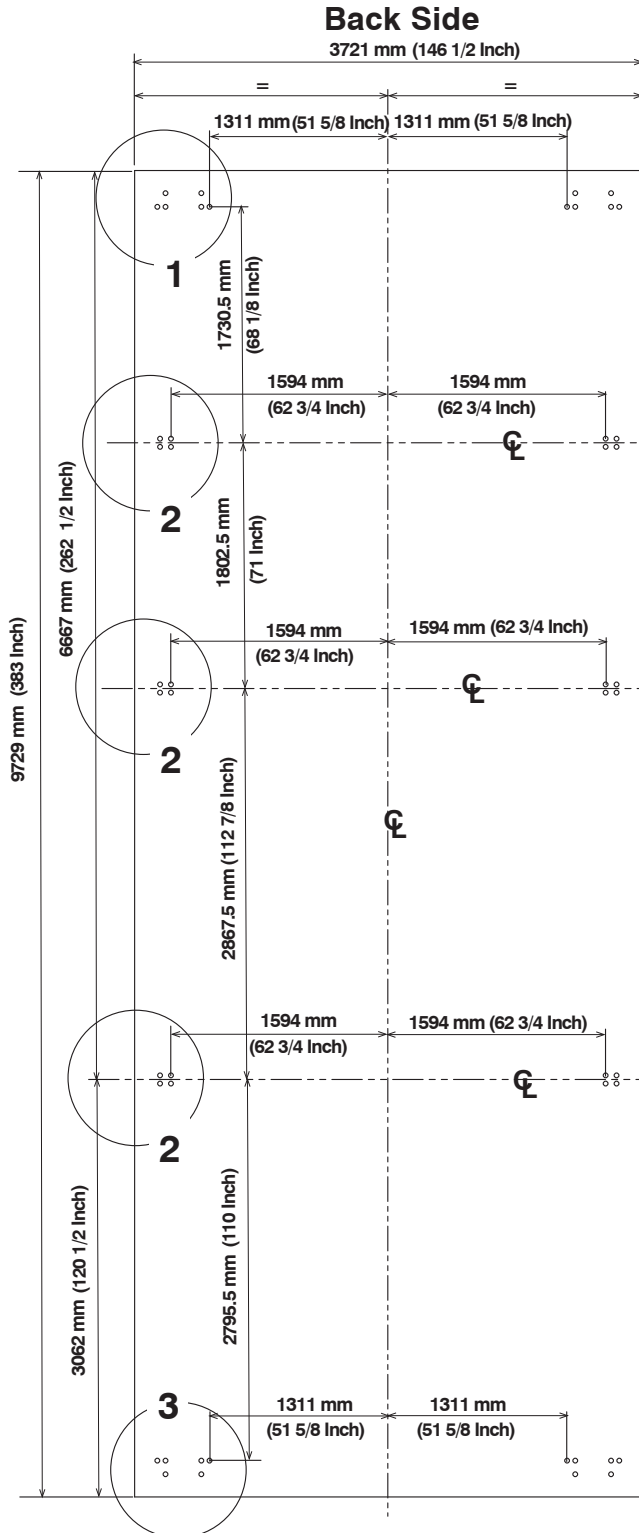


Fig.1

Front Side

2. PVC Wall Plug Holes for Base Channel

Details see Page 1 & 2.

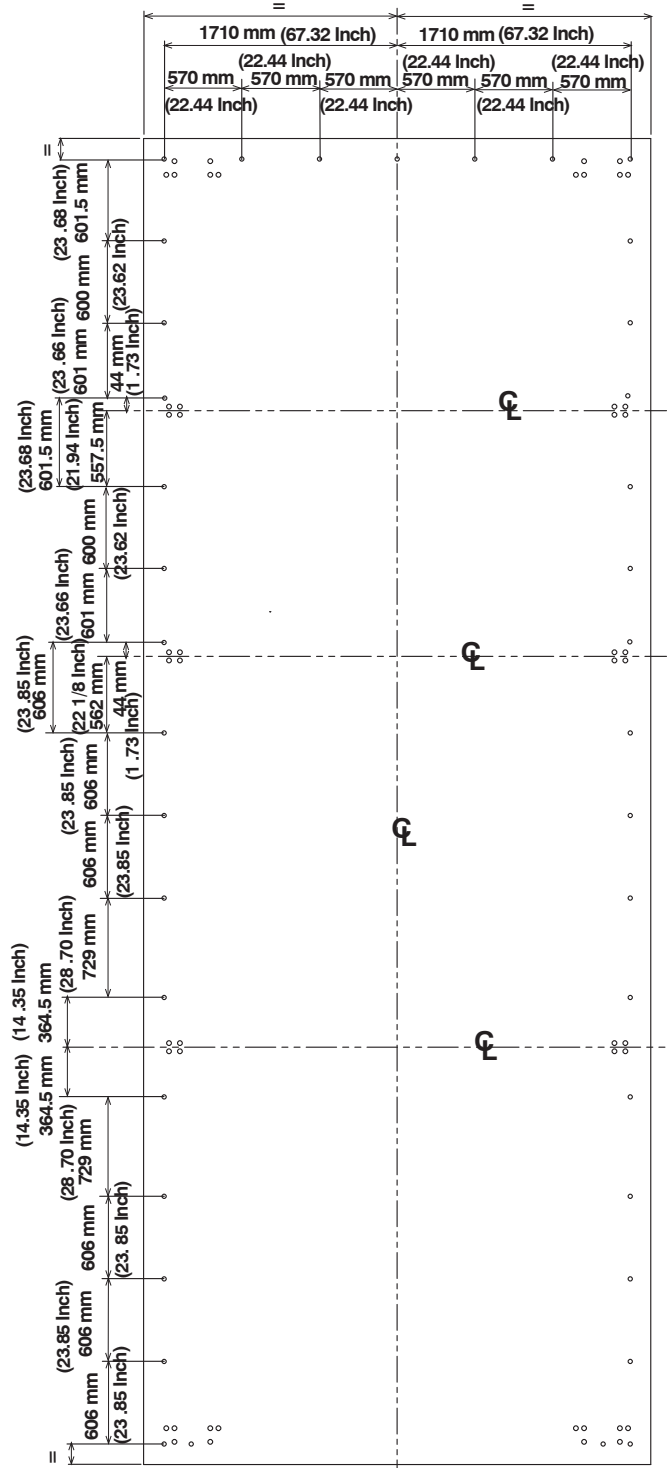
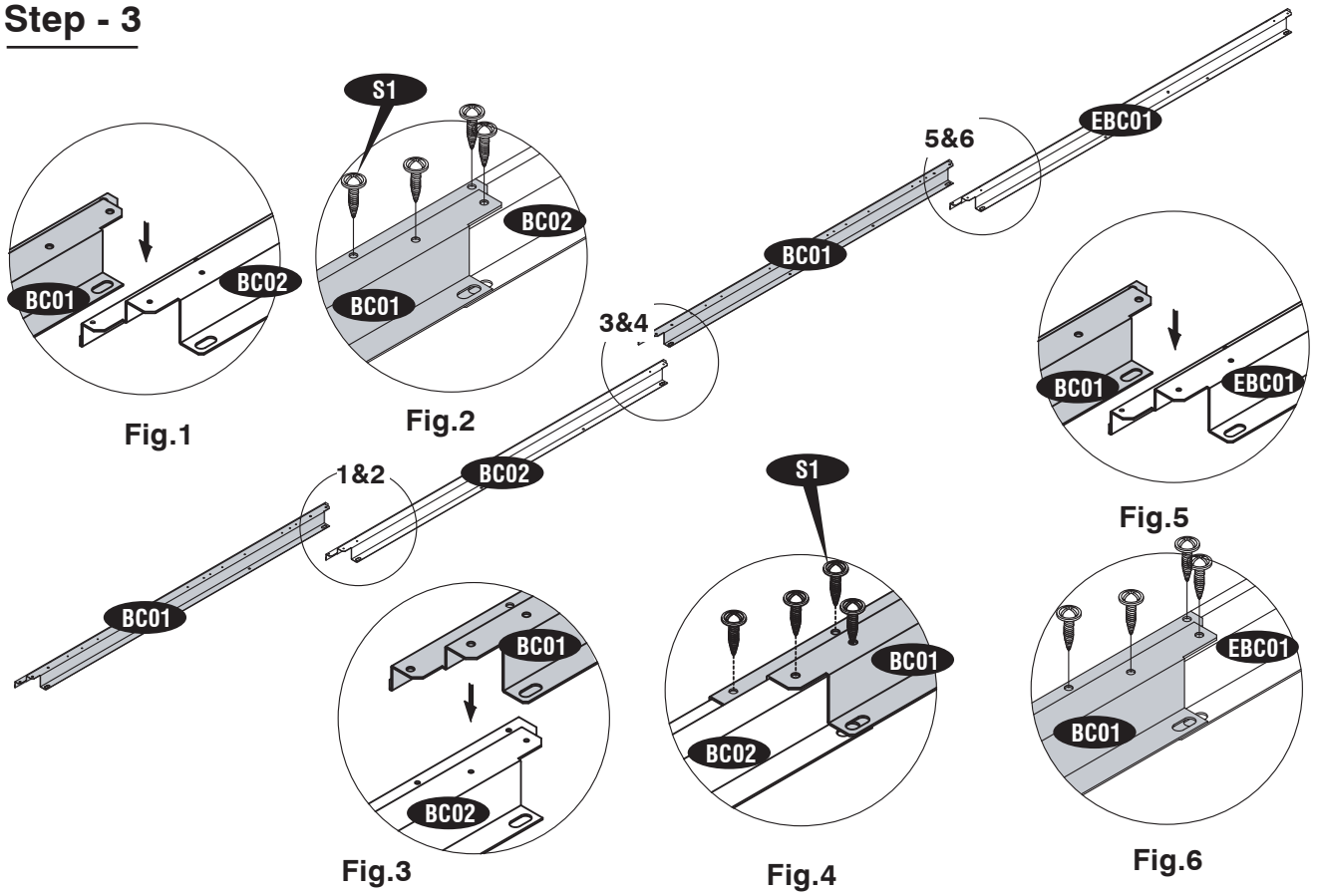
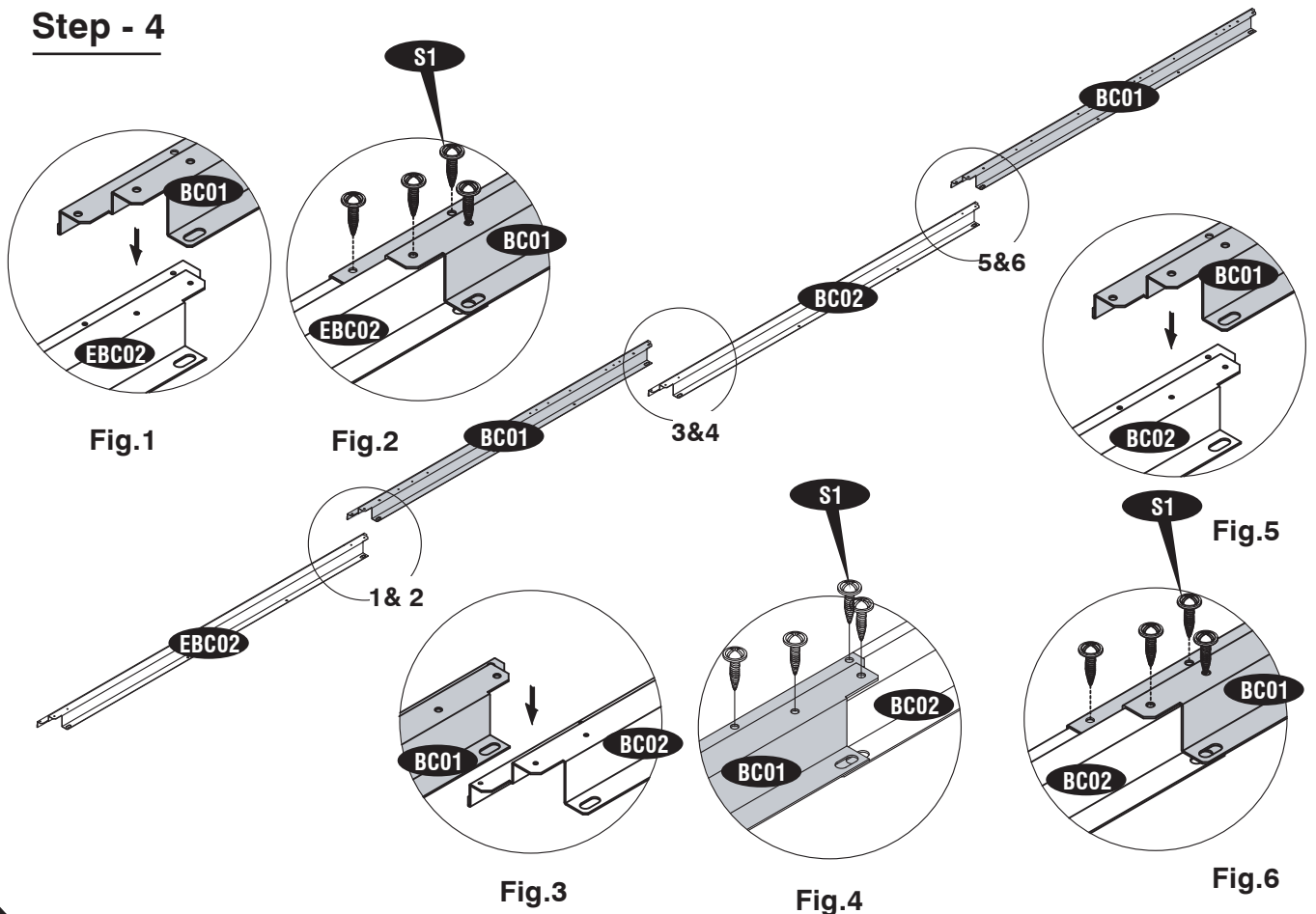


Fig.2

Step - 3

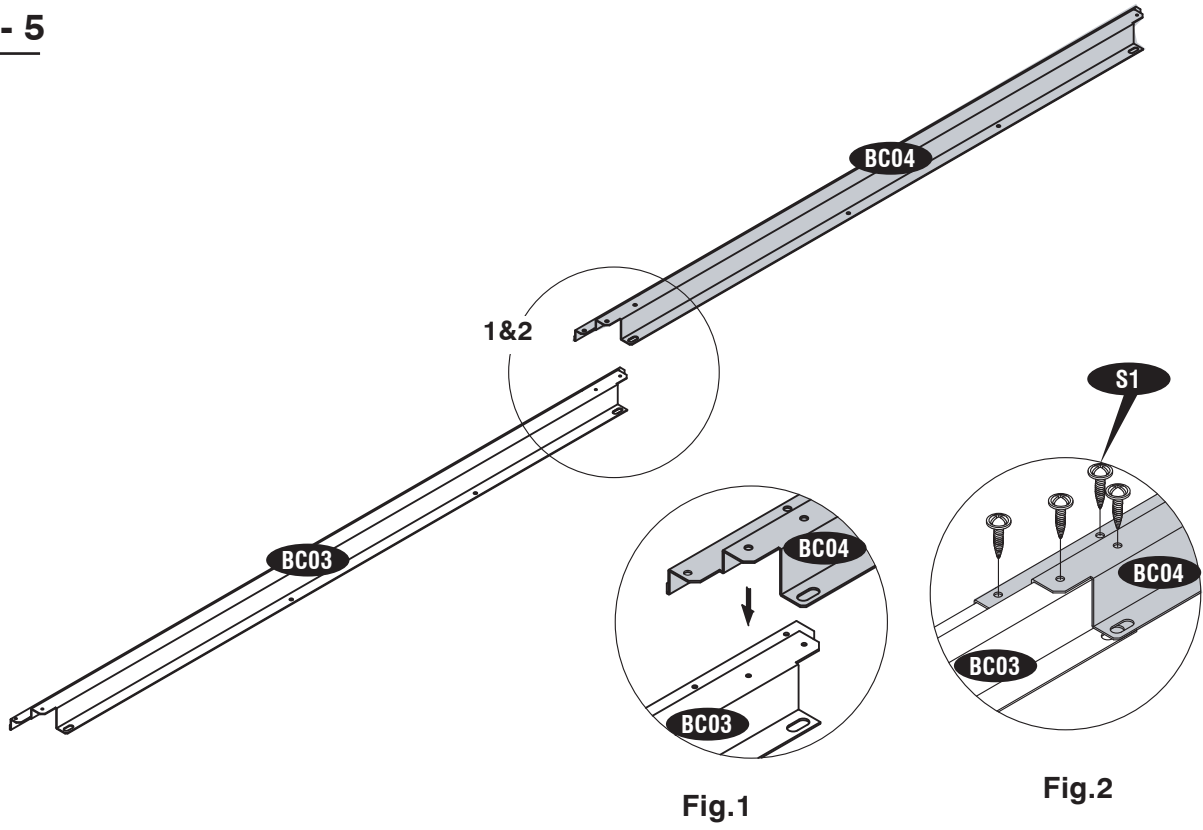


Step - 4

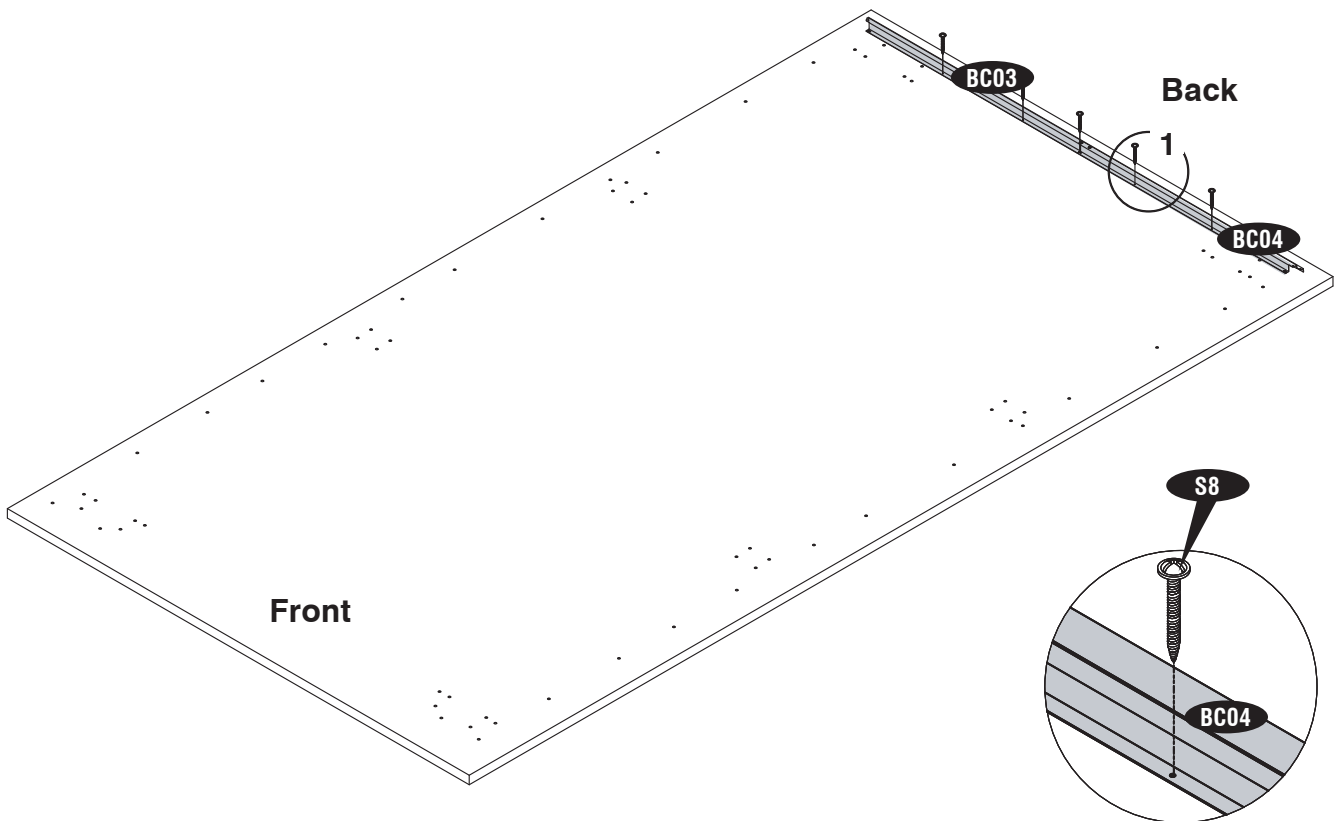


IMPORTANT: USE HAND GLOVES TO PREVENT INJURY.

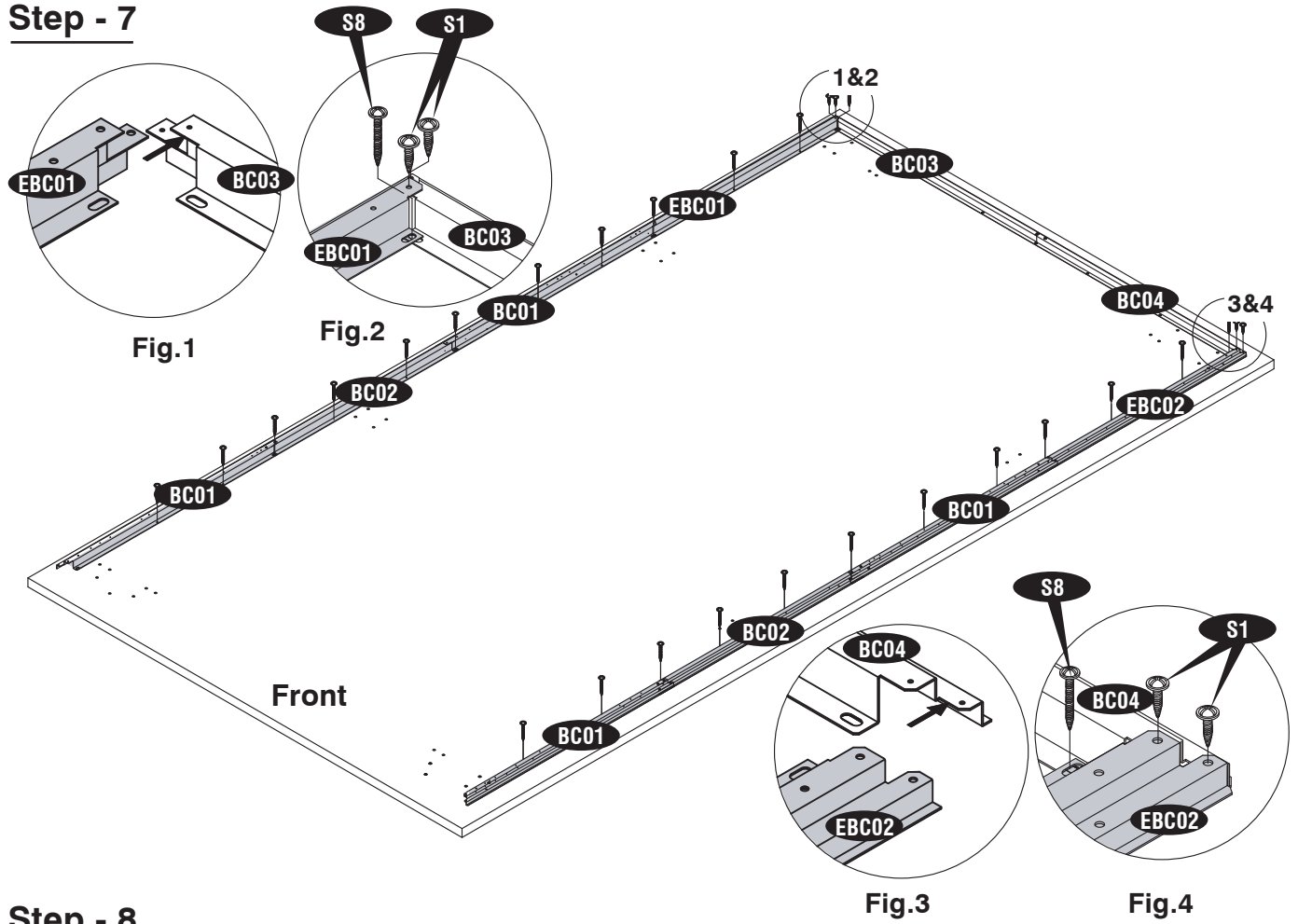
Step - 5



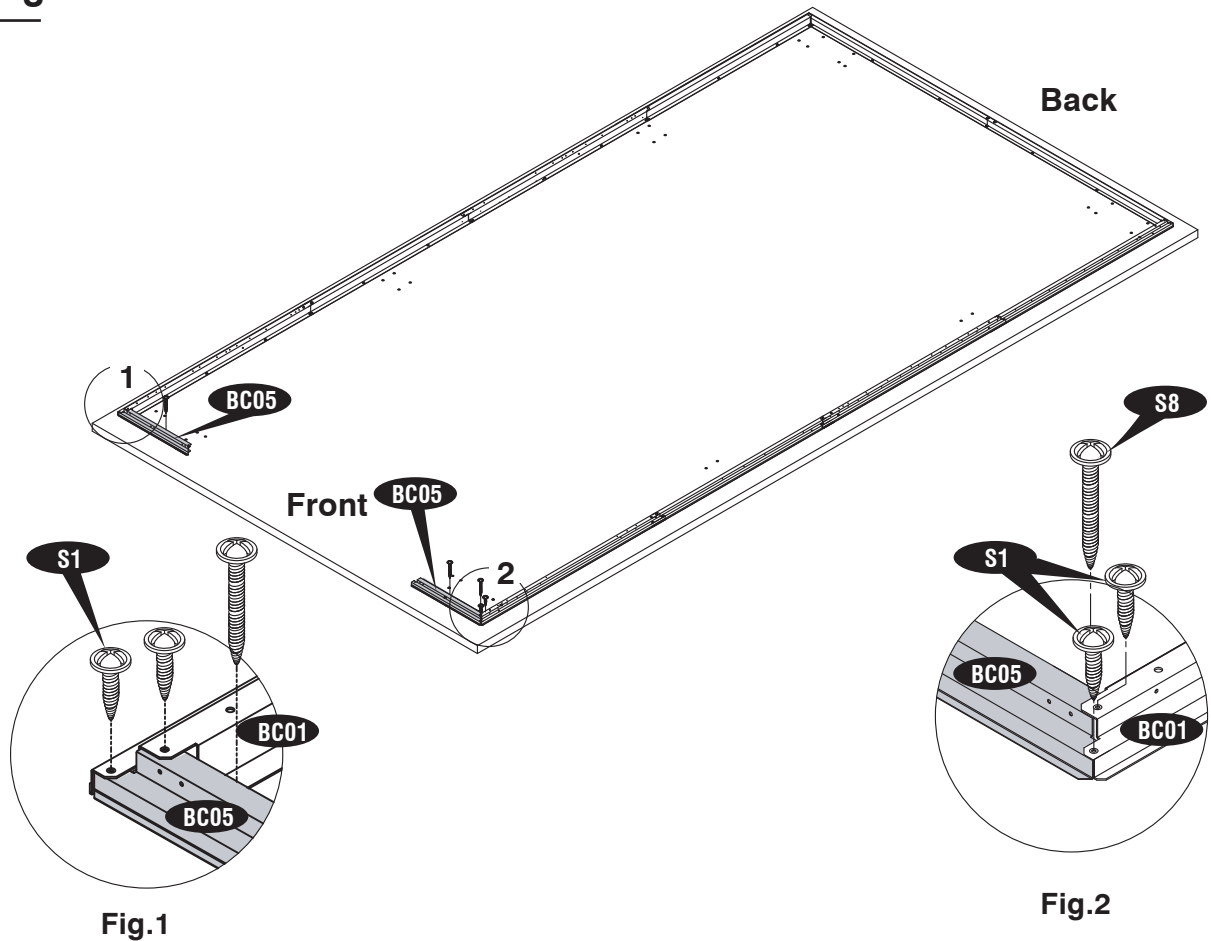
Step - 6



Step - 7

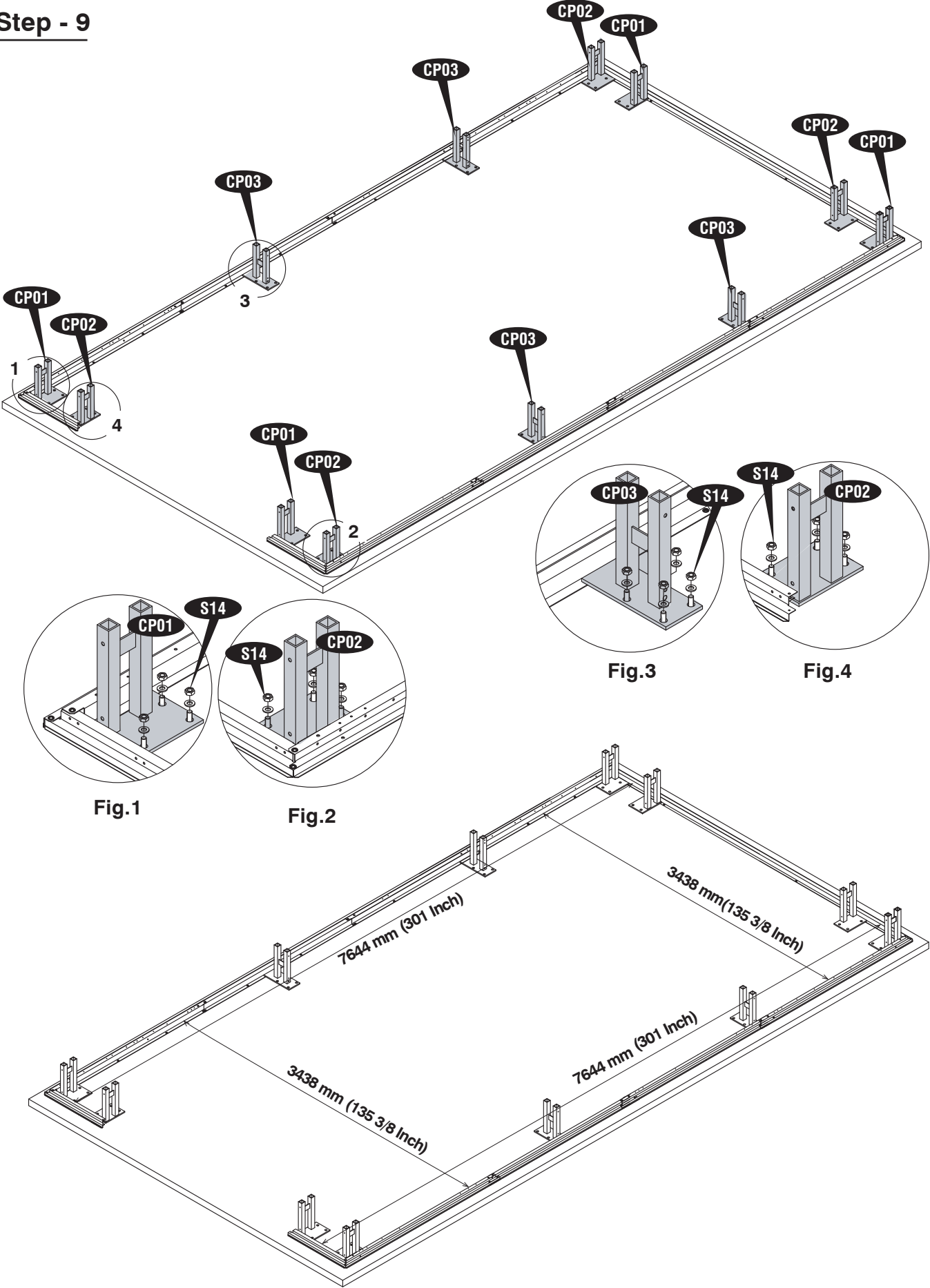


Step - 8



IMPORTANT: USE HAND GLOVES TO PREVENT INJURY.

Step - 9

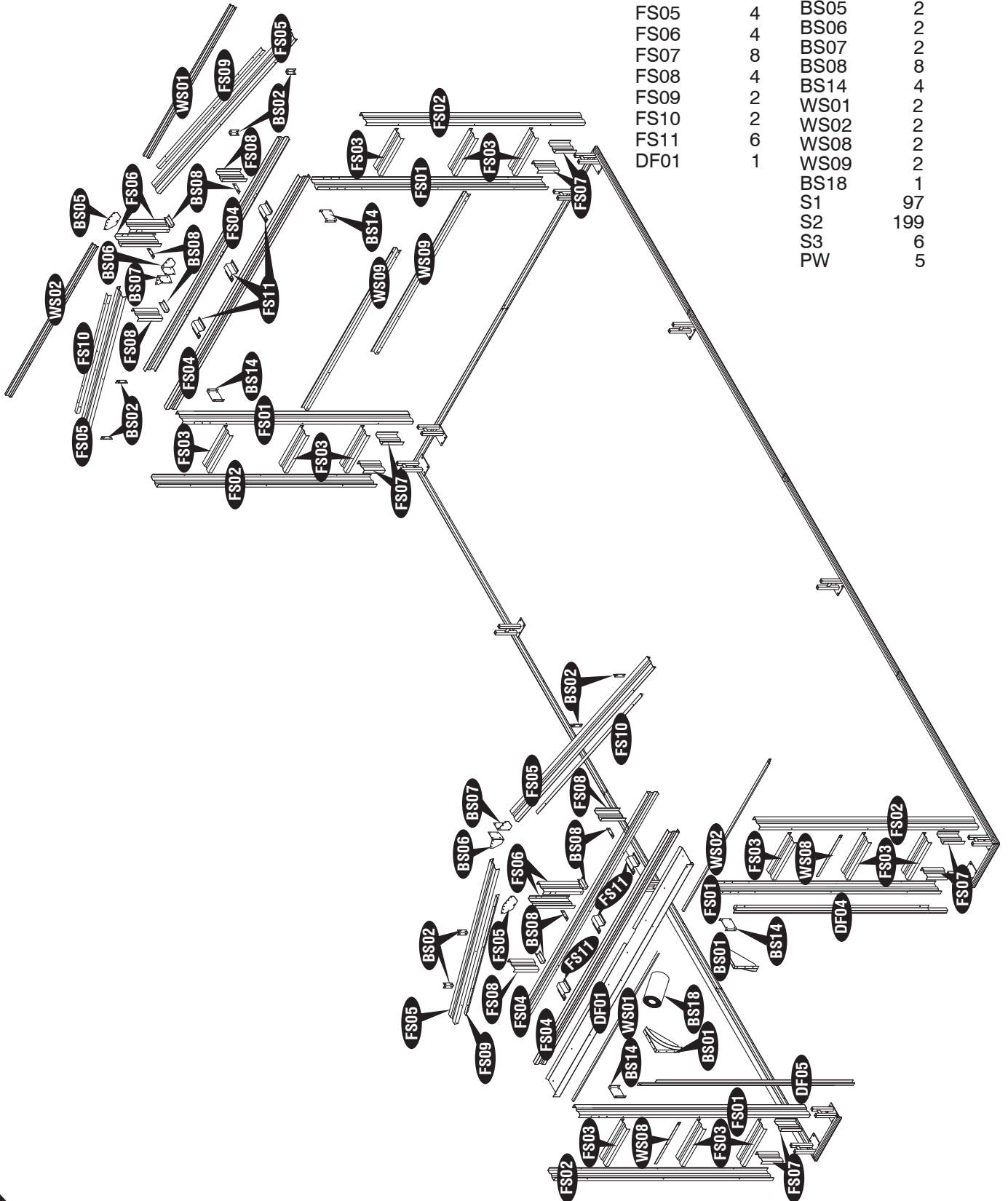


IMPORTANT: USE HAND GLOVES TO PREVENT INJURY.

B. Front & Back Structure Assembly

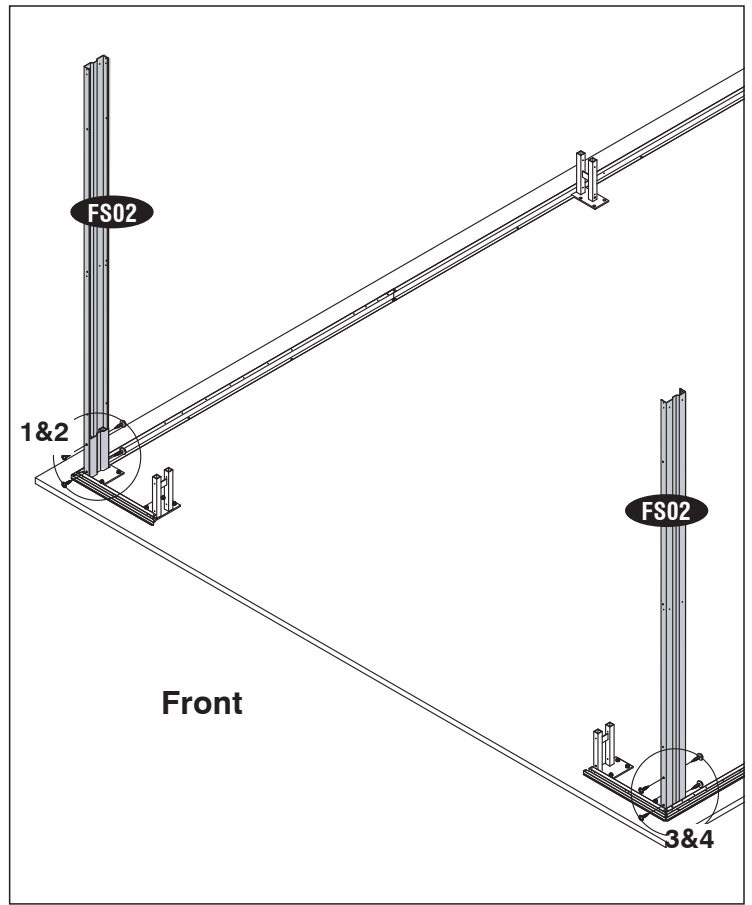
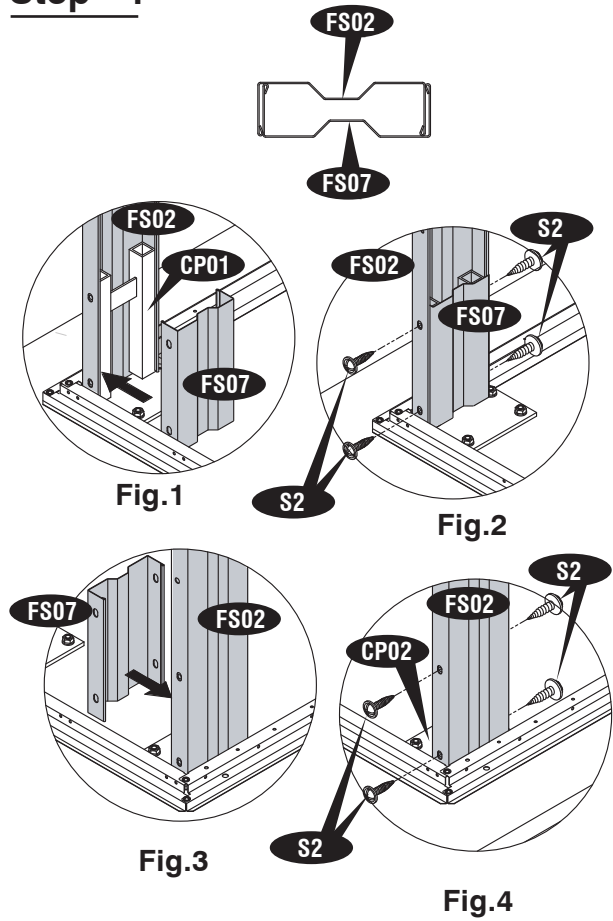
Parts Needed:

Code	Qty	Code	Qty
FS01	4	DF04	1
FS02	4	DF05	1
FS03	12	BS01	2
FS04	4	BS02	8
FS05	4	BS05	2
FS06	4	BS06	2
FS07	8	BS07	2
FS08	4	BS08	8
FS09	2	BS14	4
FS10	2	WS01	2
FS11	6	WS02	2
DF01	1	WS08	2
		WS09	2
		BS18	1
		S1	97
		S2	199
		S3	6
		PW	5

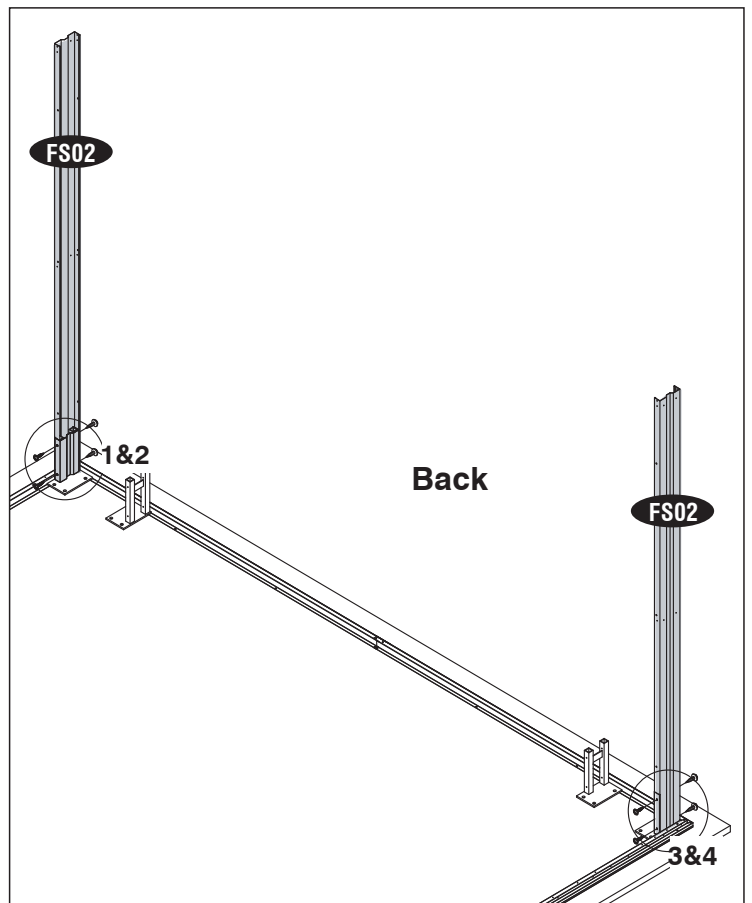
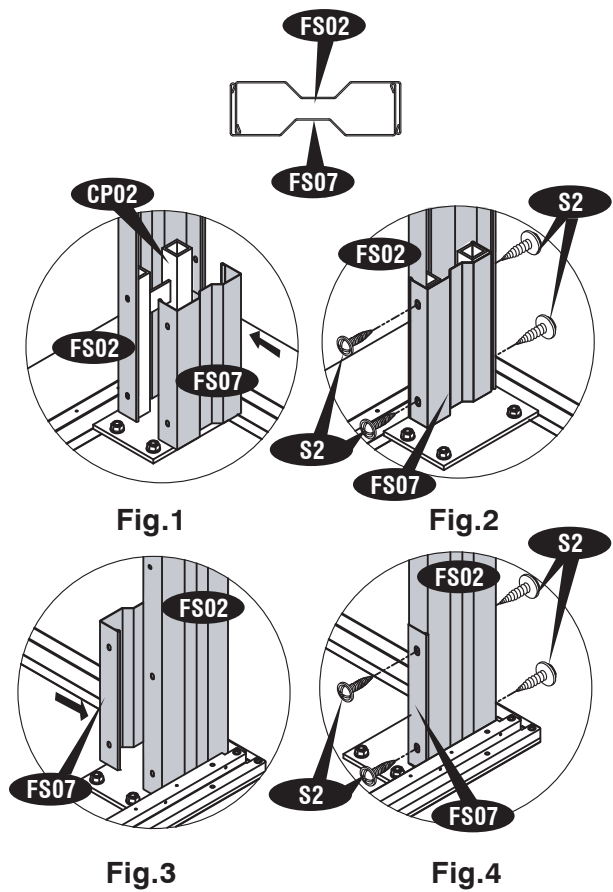


IMPORTANT: USE HAND GLOVES TO PREVENT INJURY.

Step - 1



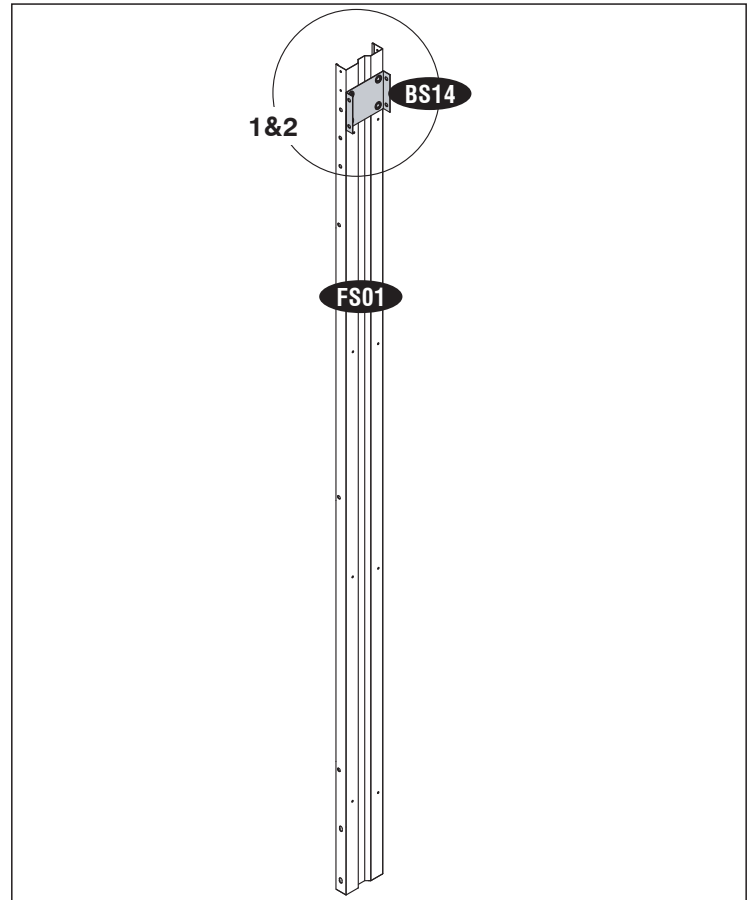
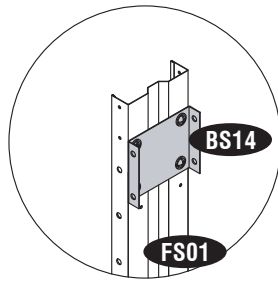
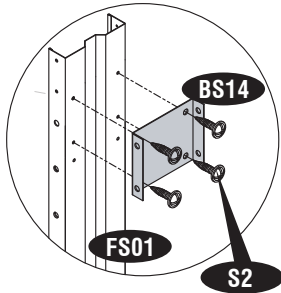
Step - 2



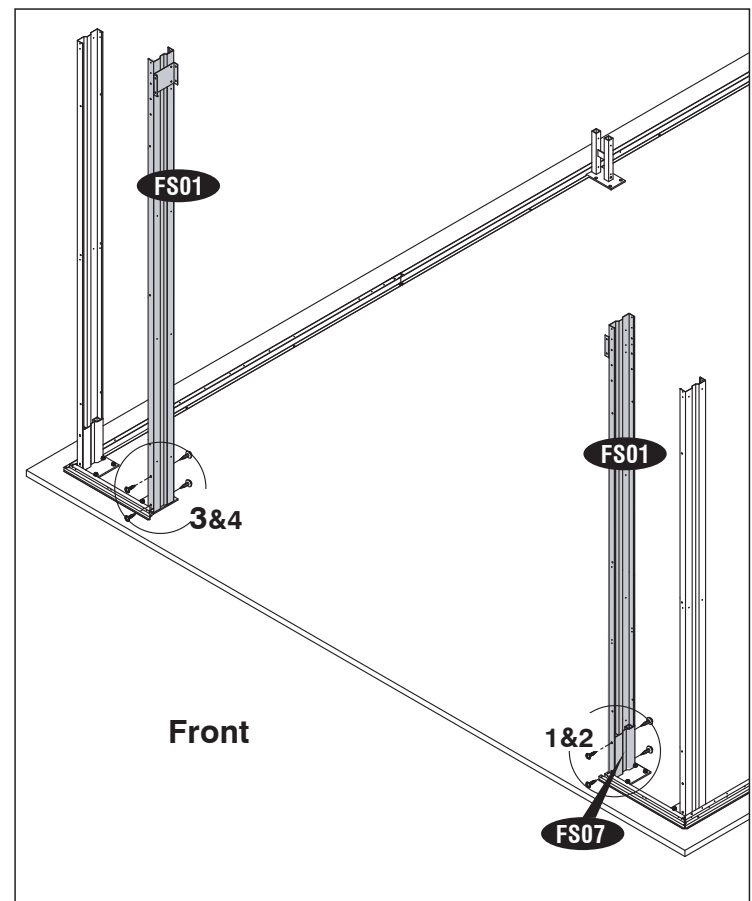
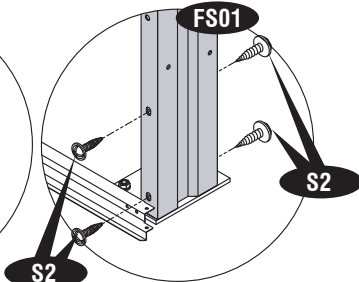
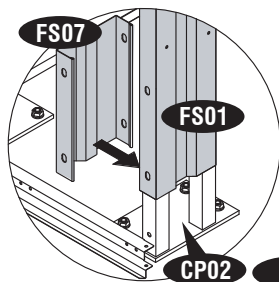
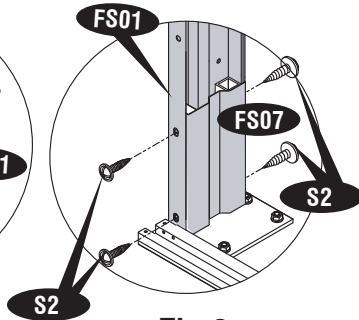
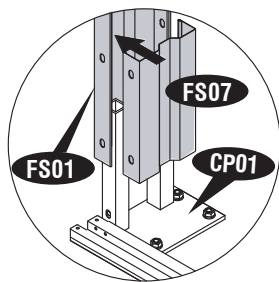
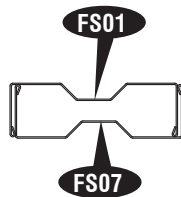
IMPORTANT: USE HAND GLOVES TO PREVENT INJURY.

Step - 3

Make 4 Sets



Step - 4



IMPORTANT: USE HAND GLOVES TO PREVENT INJURY.

Step - 5

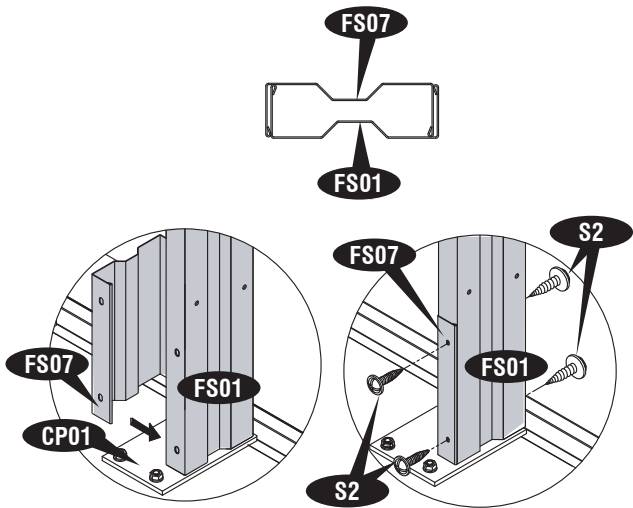


Fig.1

Fig.2

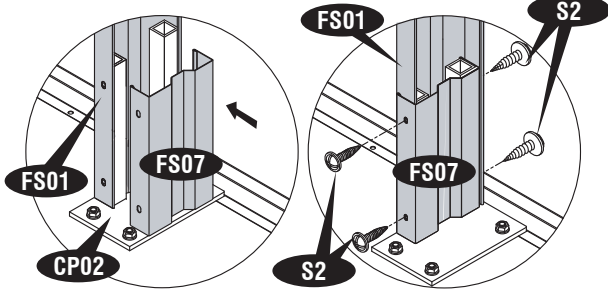
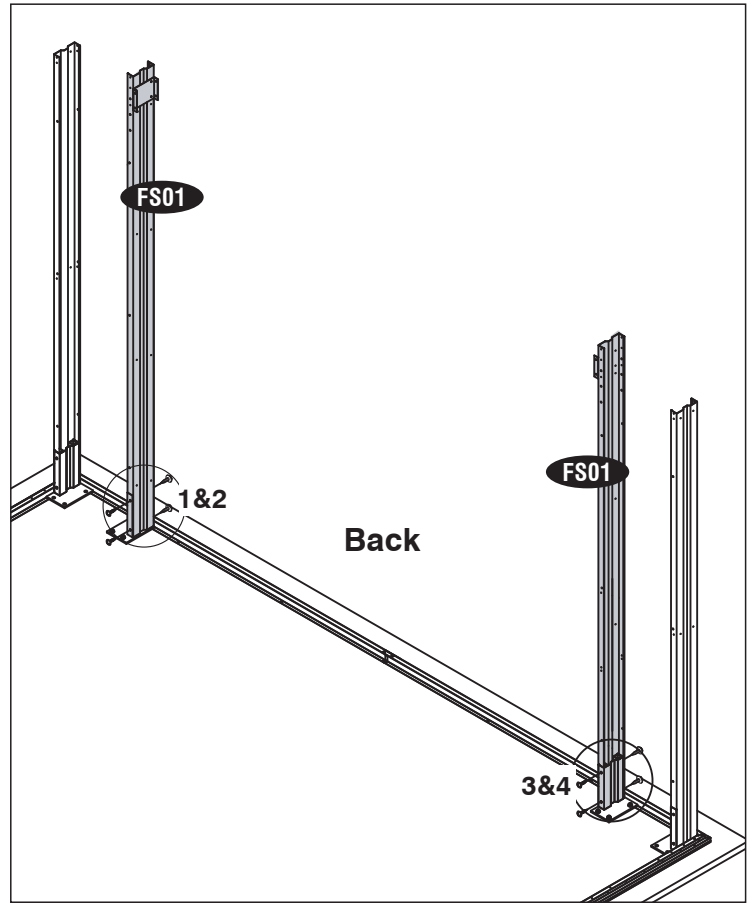
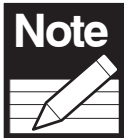


Fig.3

Fig.4



Step - 6



Note Use only 3 Screws as shown in Blow up.

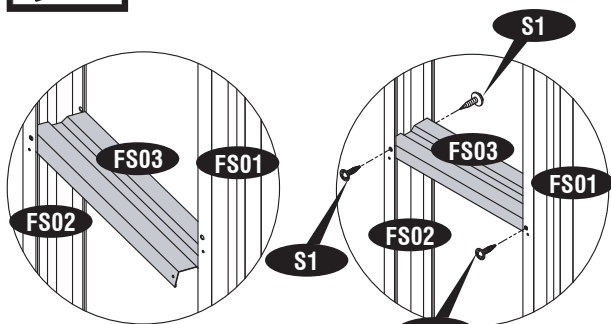


Fig.1

Fig.2

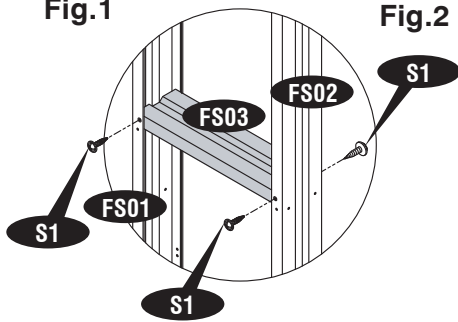
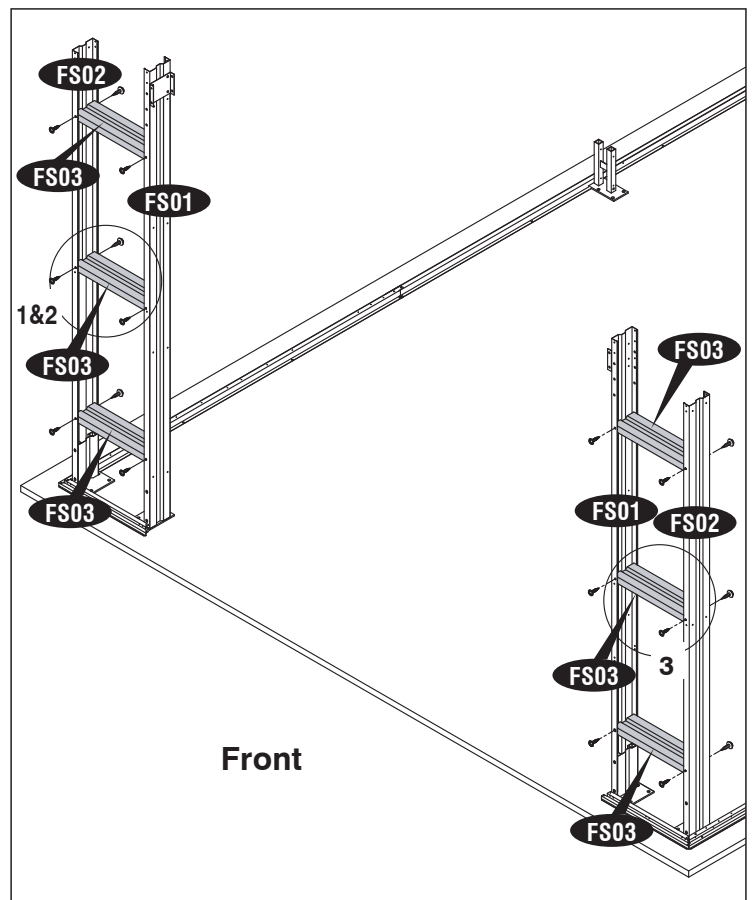
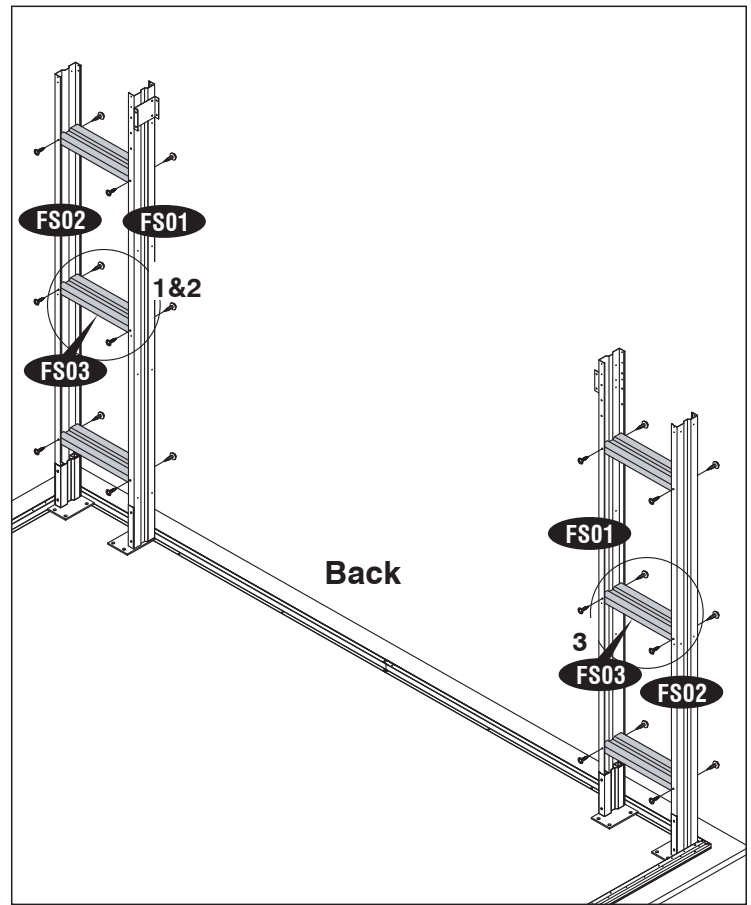
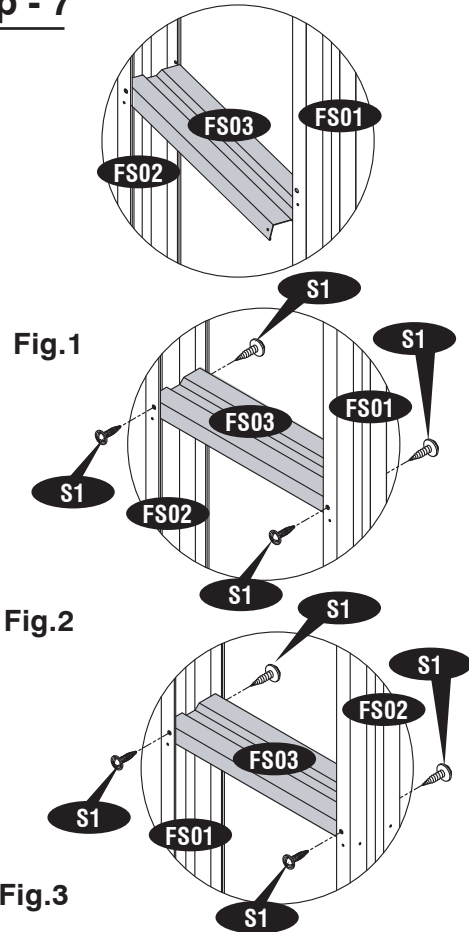


Fig.3



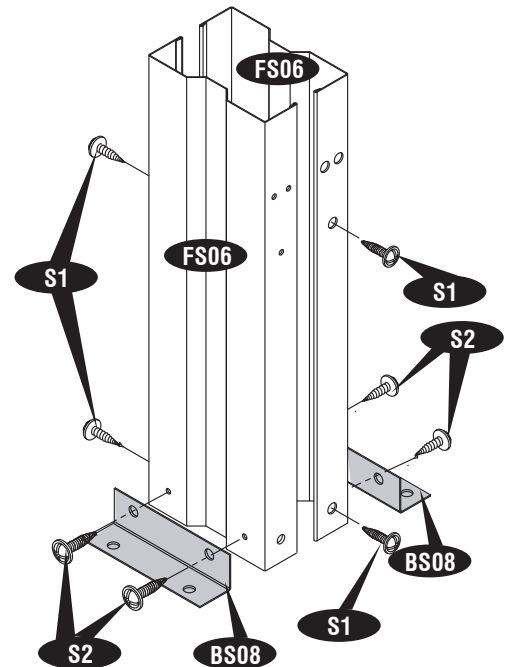
Step - 7



Step - 8

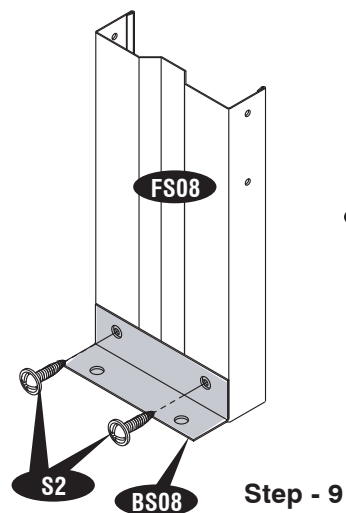
Make 2 Sets

Step - 8



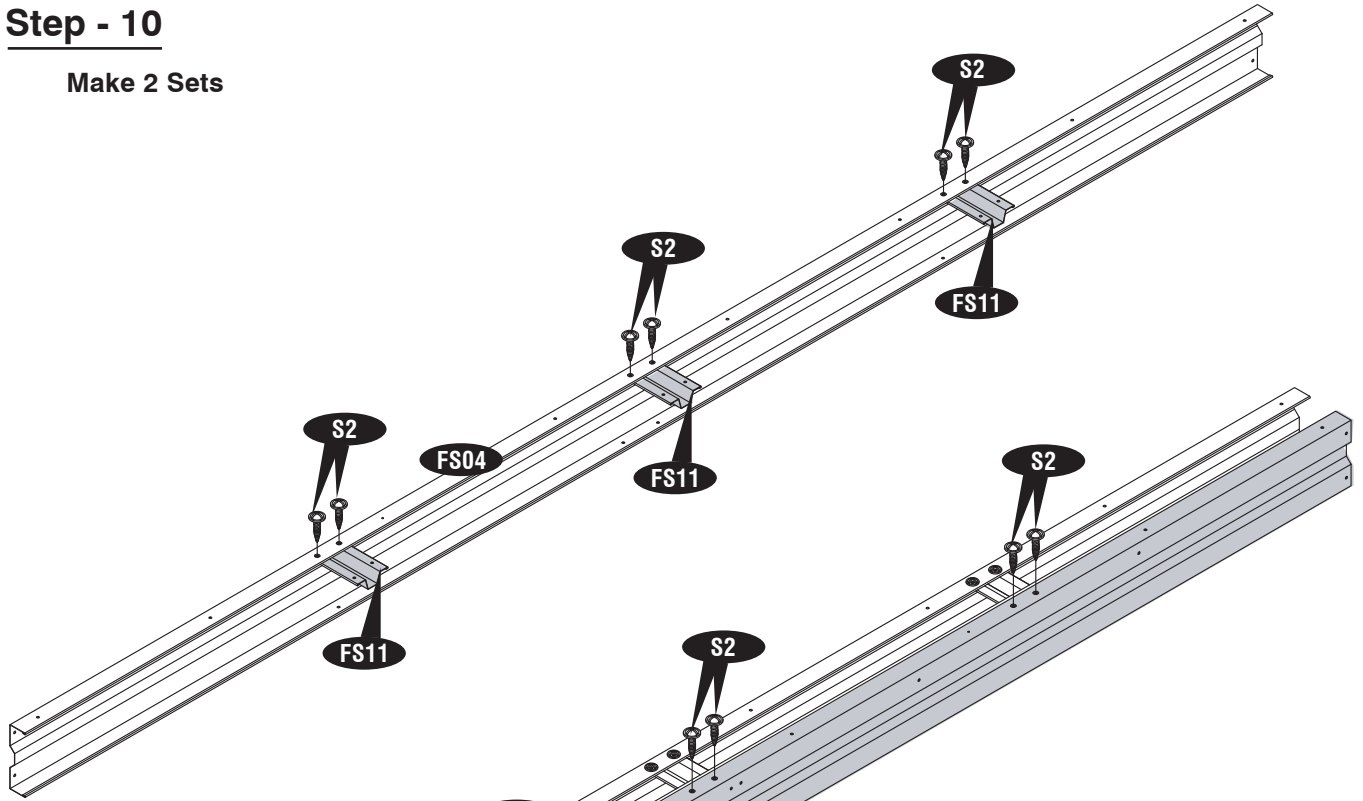
Step - 9

Make 4 Sets



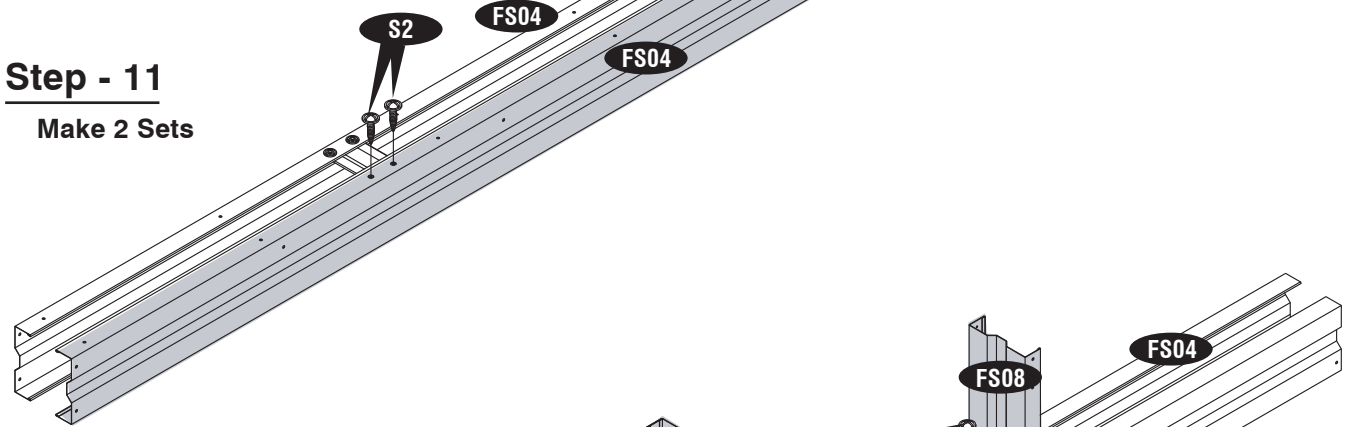
Step - 10

Make 2 Sets



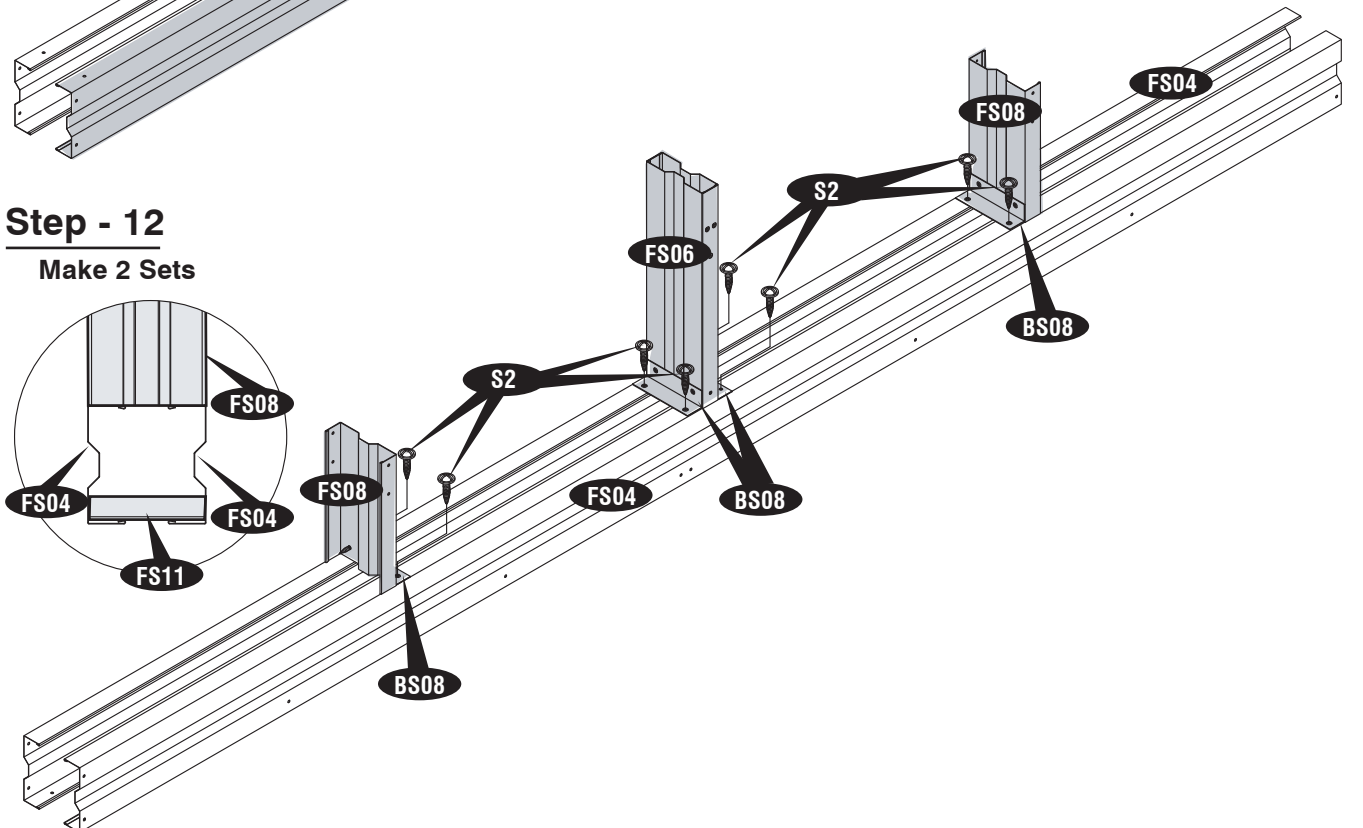
Step - 11

Make 2 Sets



Step - 12

Make 2 Sets



Step - 13

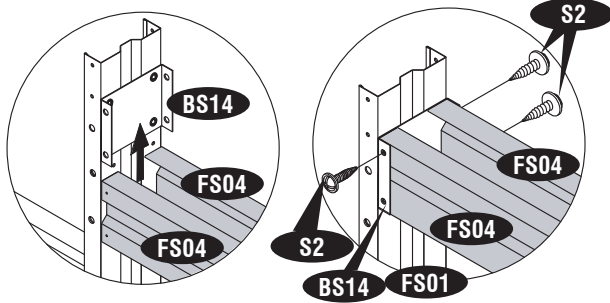


Fig.1

Fig.2

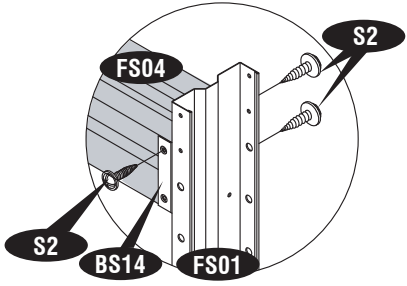
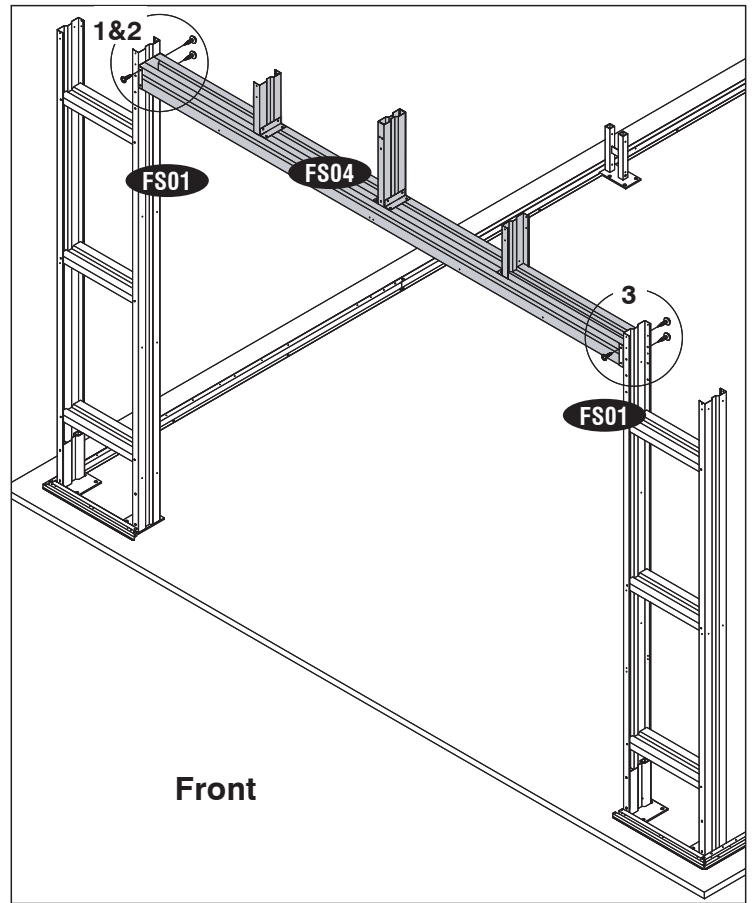


Fig.3



Front

Step - 14

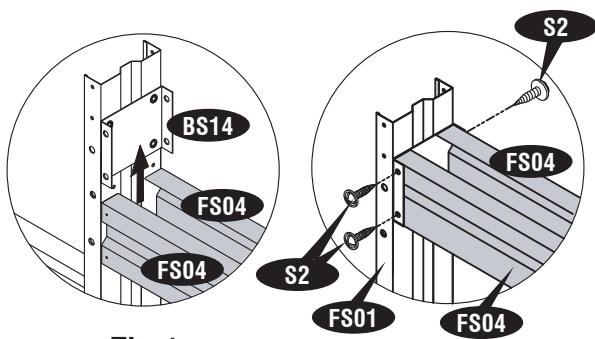


Fig.1

Fig.2

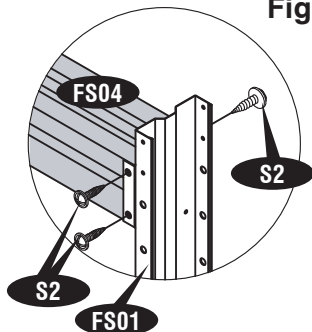
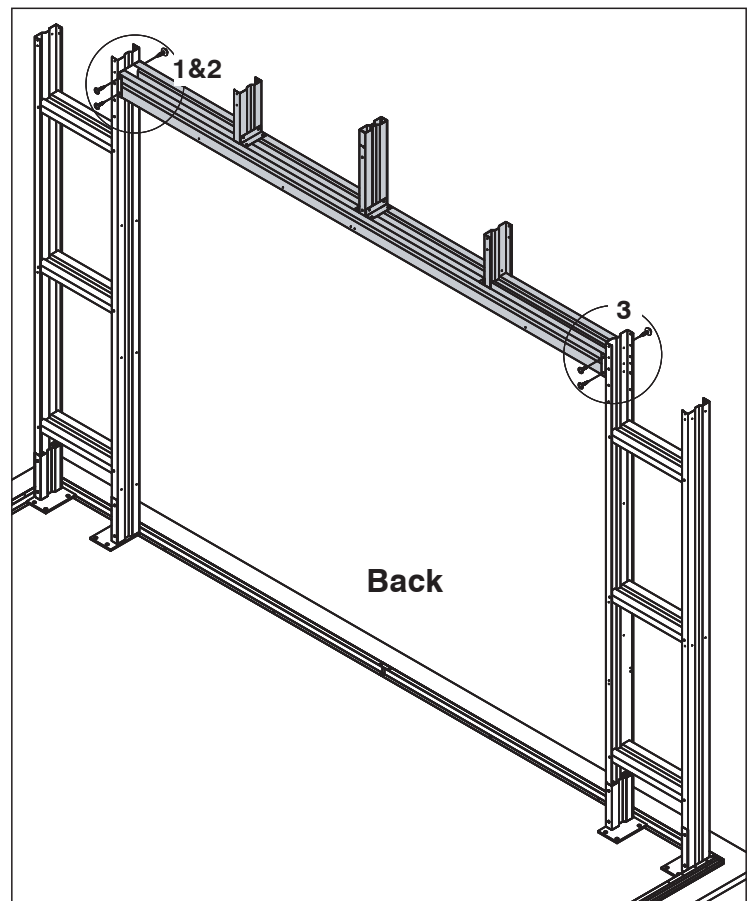


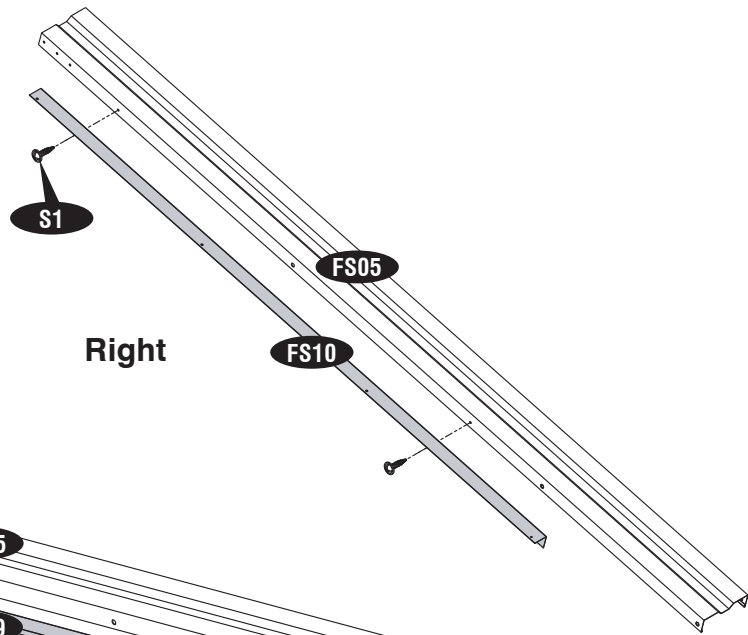
Fig.3



Back

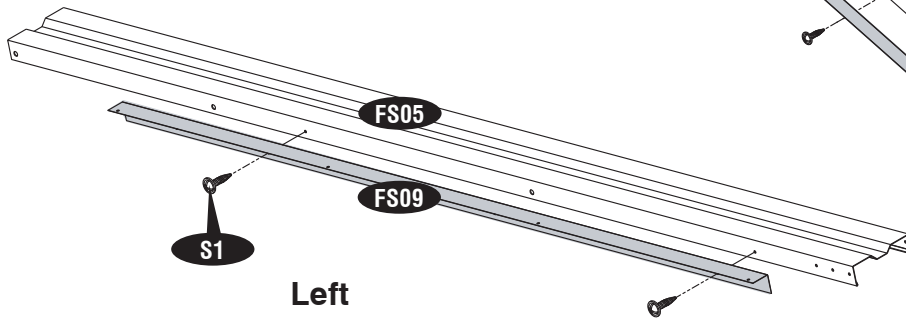
Step - 15

Make 2 Sets

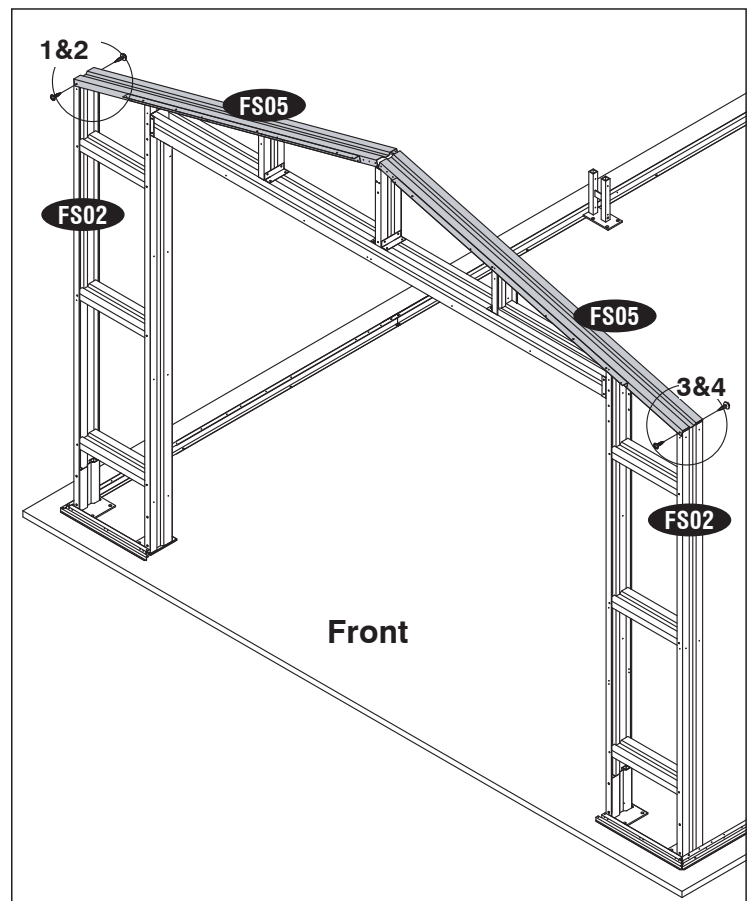
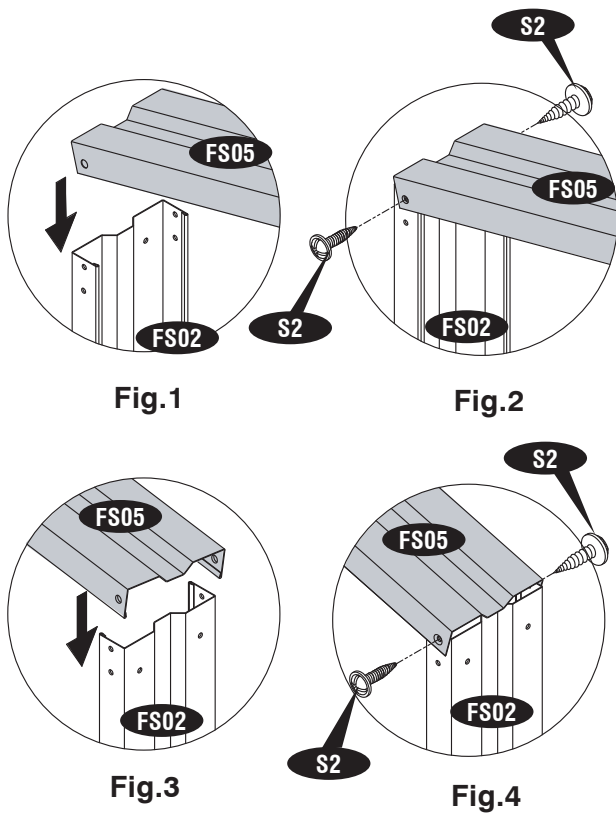


Step - 16

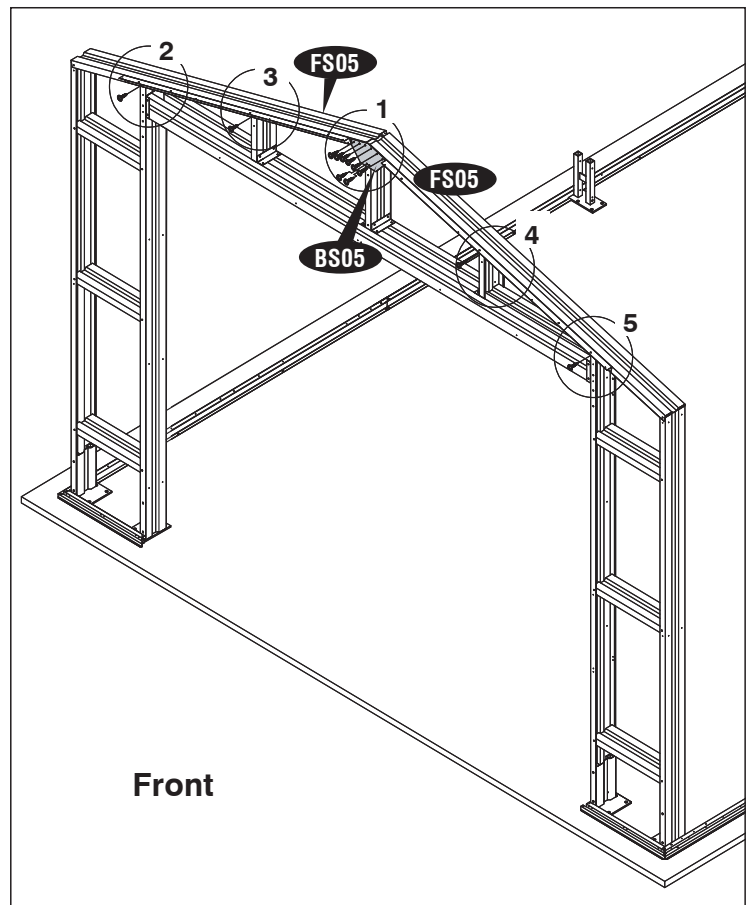
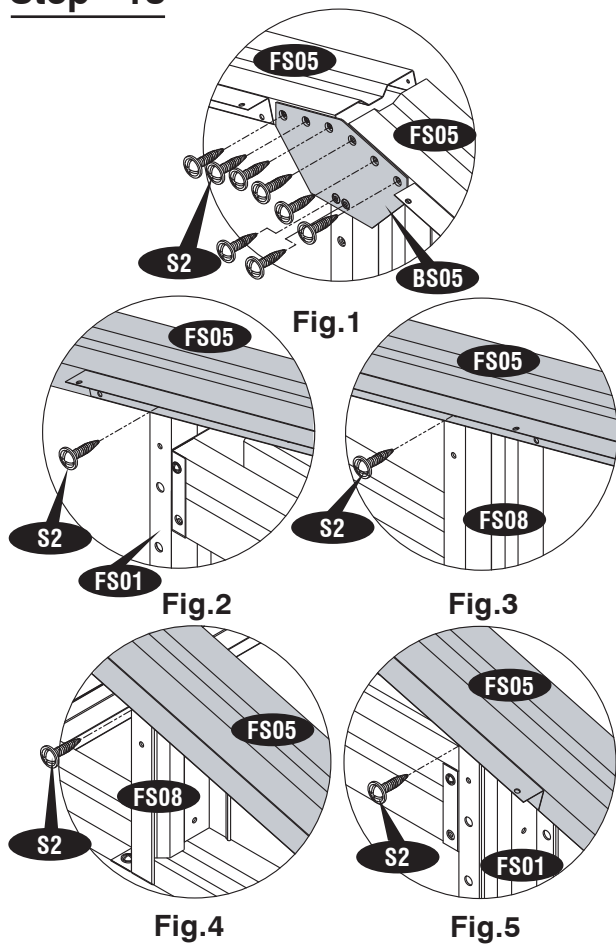
Make 2 Sets



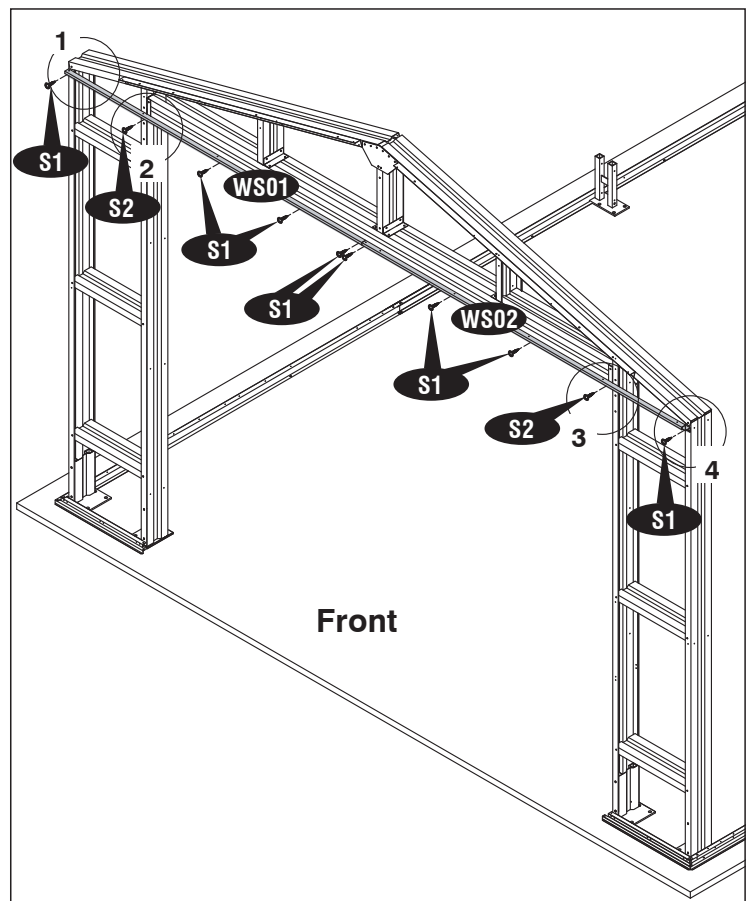
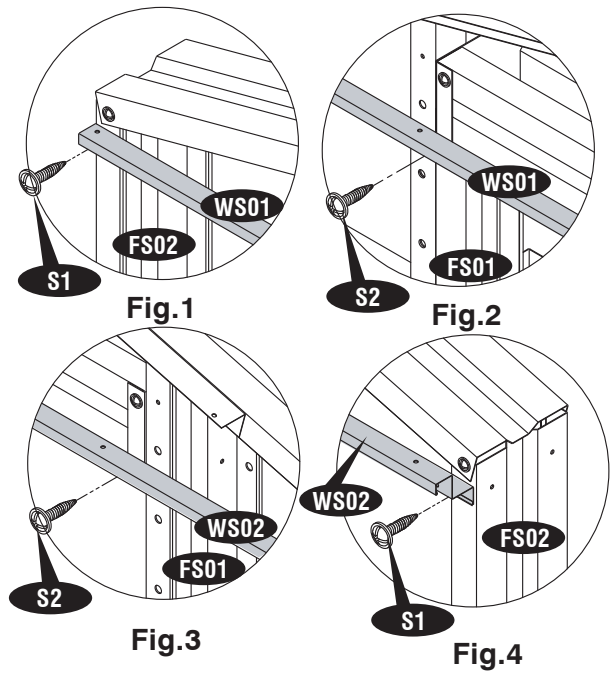
Step - 17



Step - 18



Step - 19



Step - 20

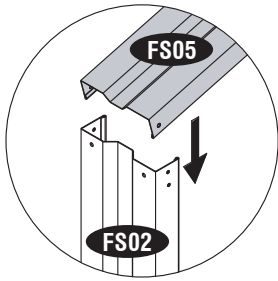


Fig.1

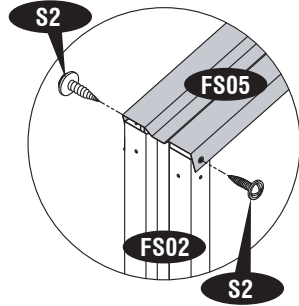


Fig.2

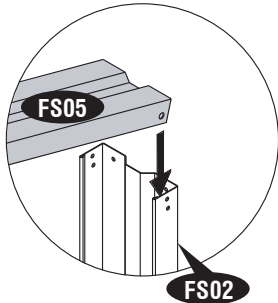


Fig.3

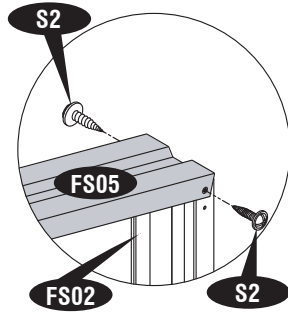
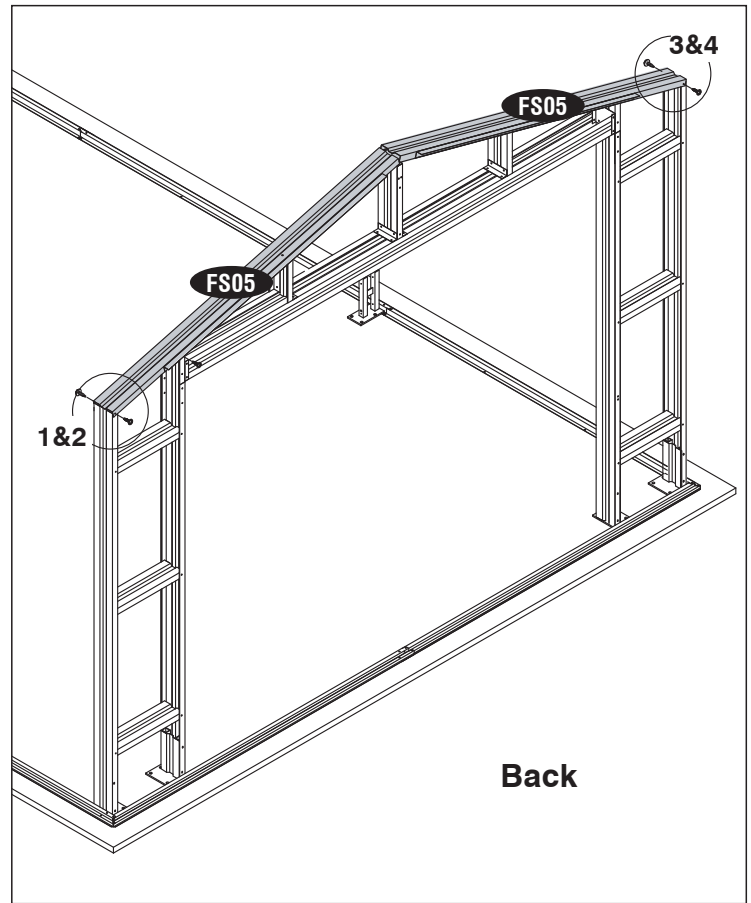


Fig.4



Step - 21

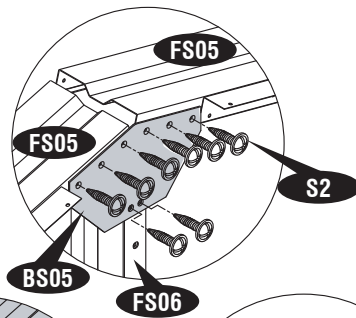


Fig.1

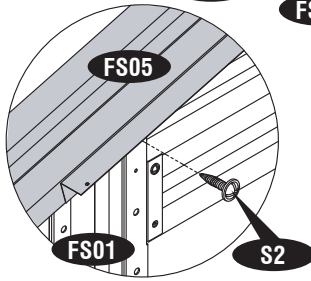


Fig.2

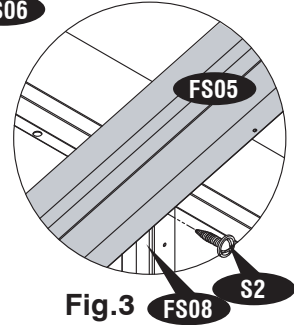


Fig.3

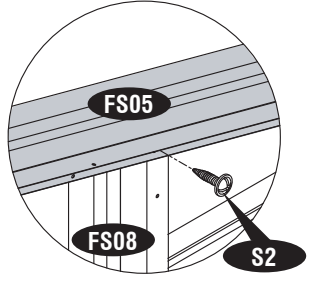


Fig.4

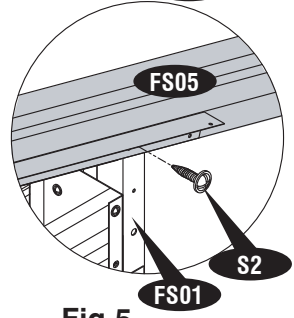
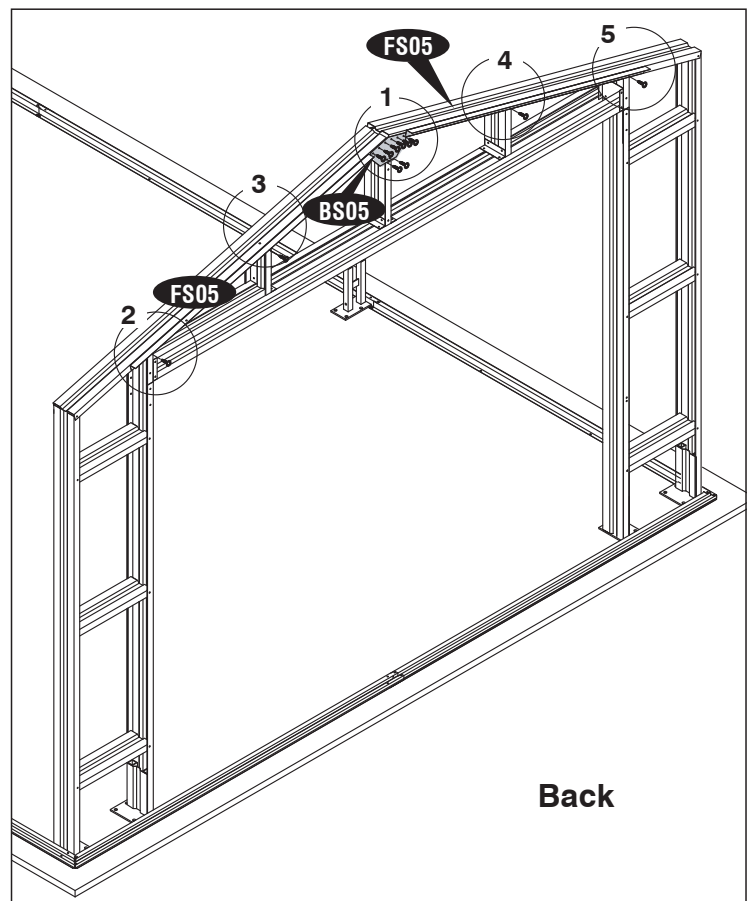


Fig.5



Step - 22

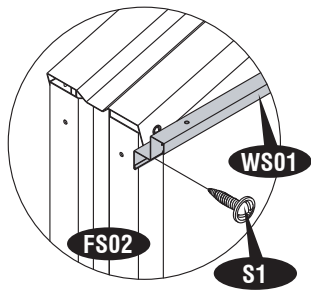


Fig.1

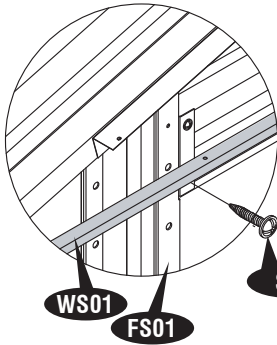


Fig.2

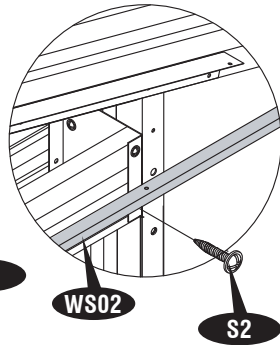
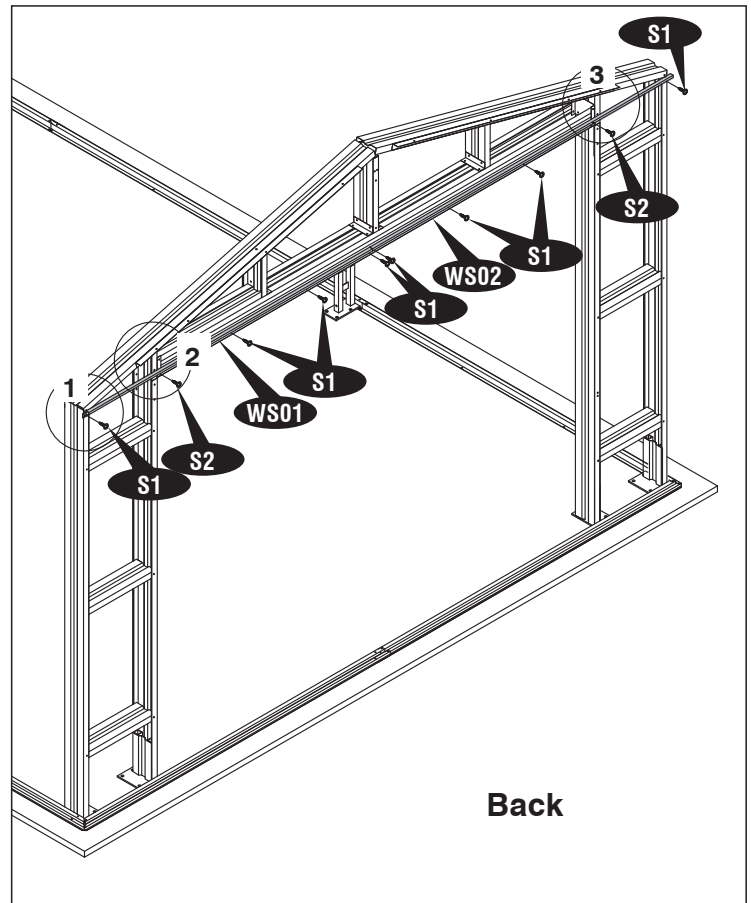


Fig.3



Back

Step - 23

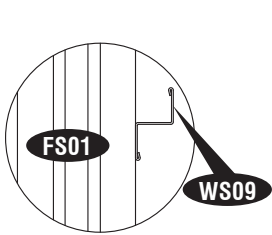


Fig.1

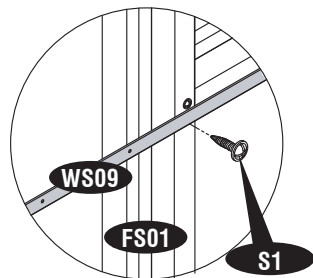
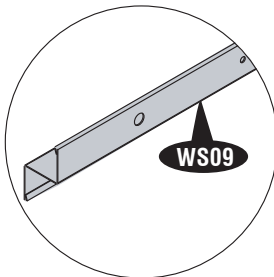
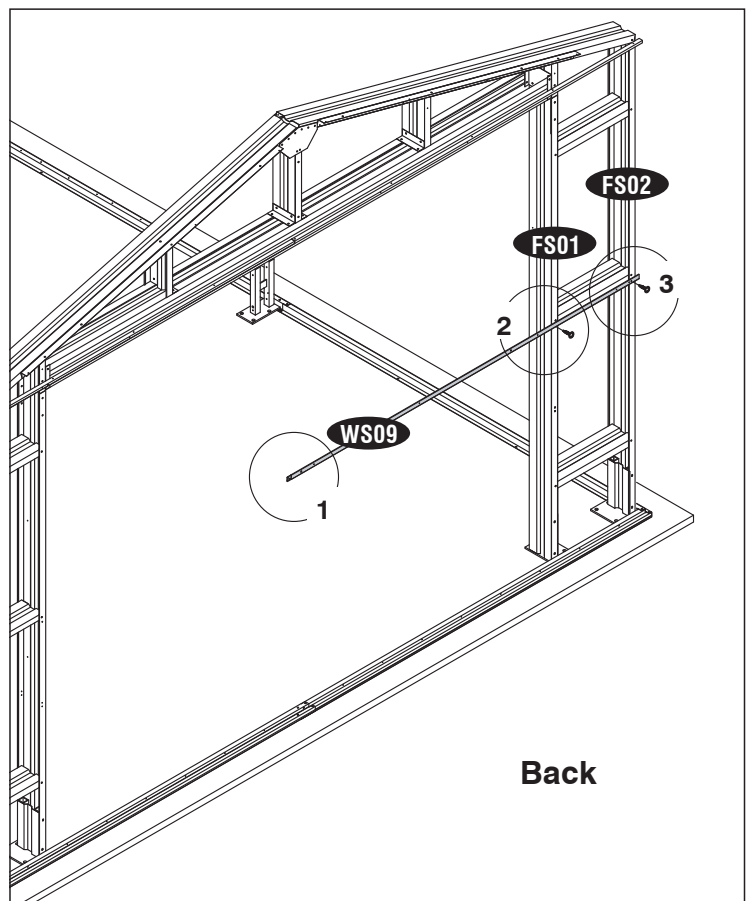


Fig. 2



Fig.3



Back

Step - 24

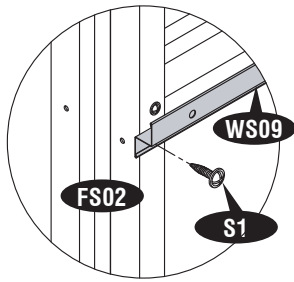


Fig. 1



Fig. 2

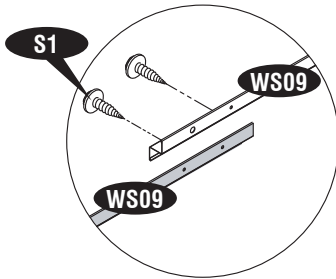
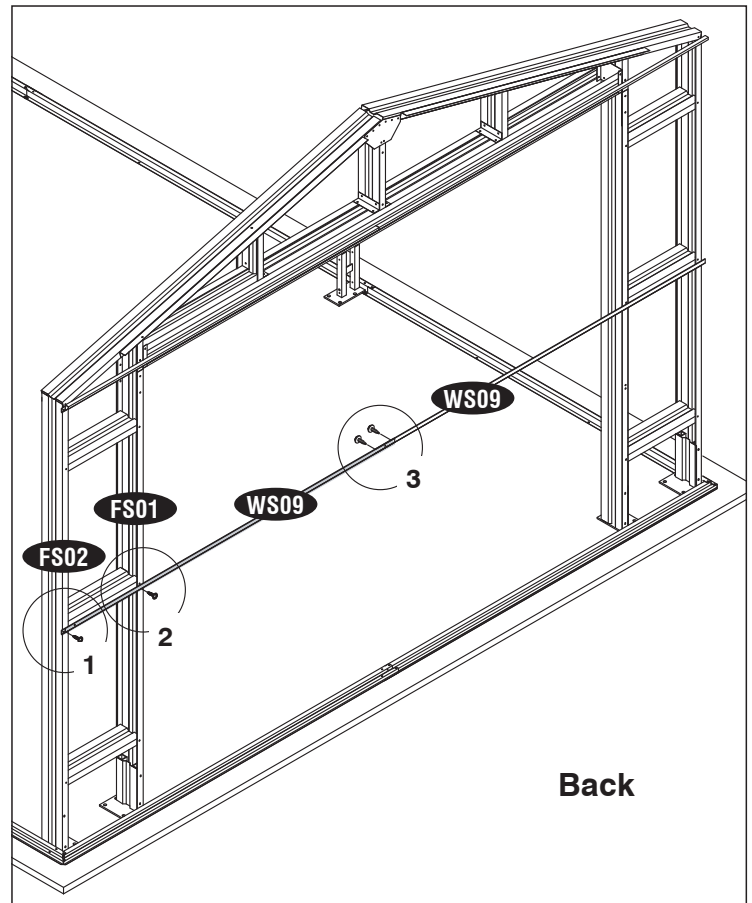


Fig. 3



Back

Step - 25

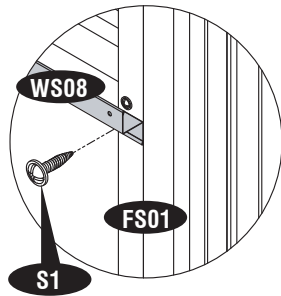


Fig. 1

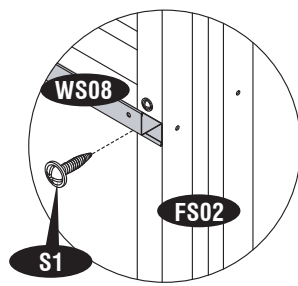


Fig. 2

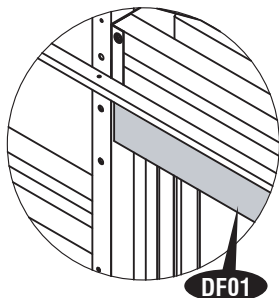


Fig. 3

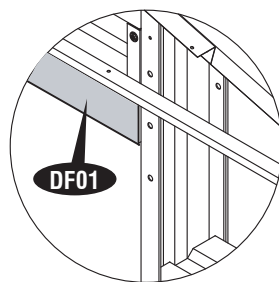
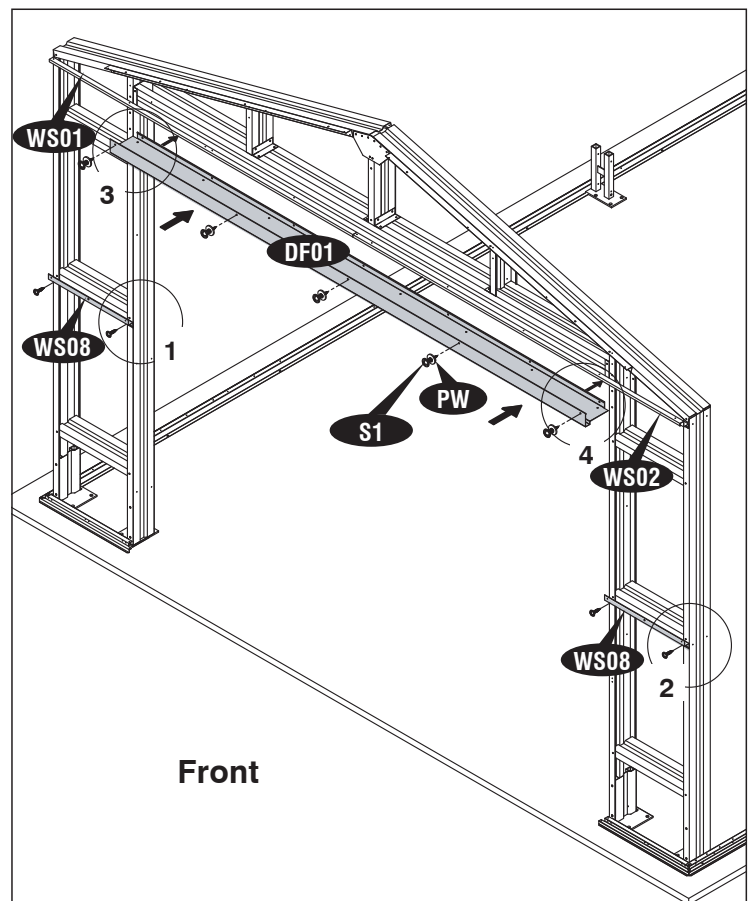
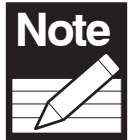


Fig. 4



Front

Step - 26



It is important that Use S1 Screws first.

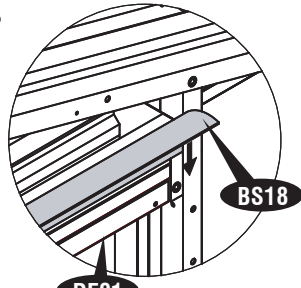
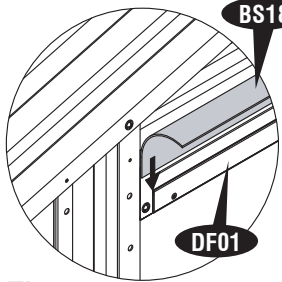
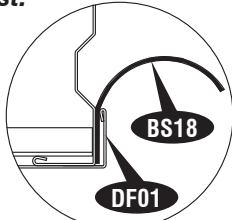


Fig.1

Fig.2

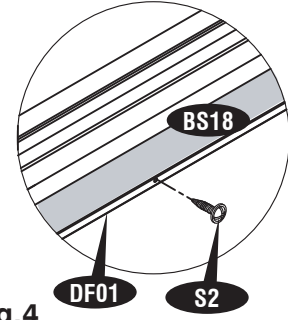
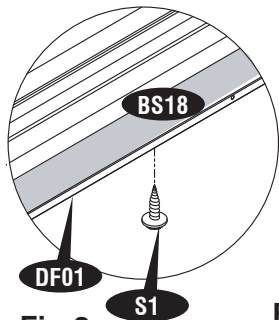
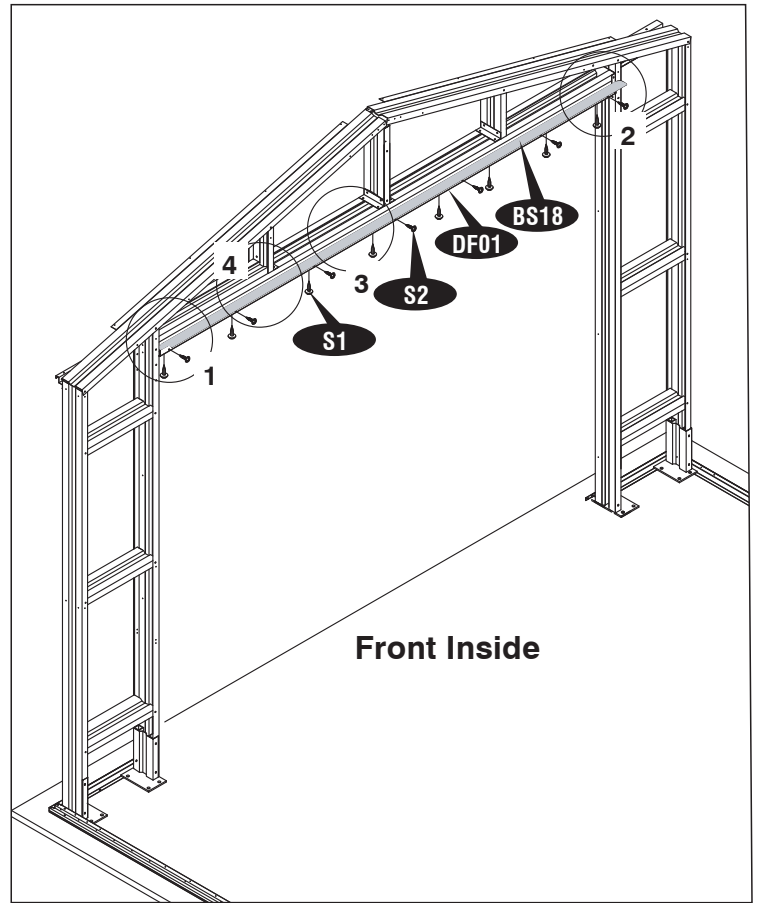


Fig.3

Fig.4



Front Inside

Step - 27

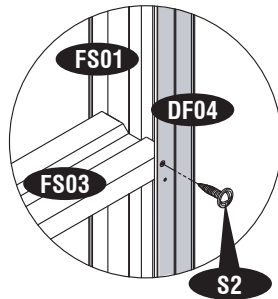
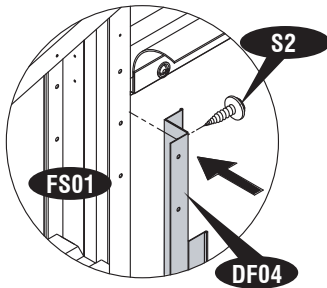


Fig.1

Fig.2

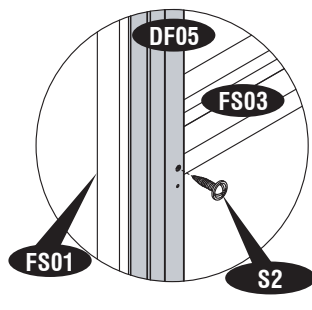
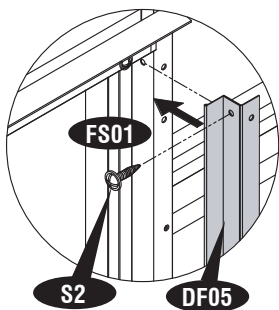
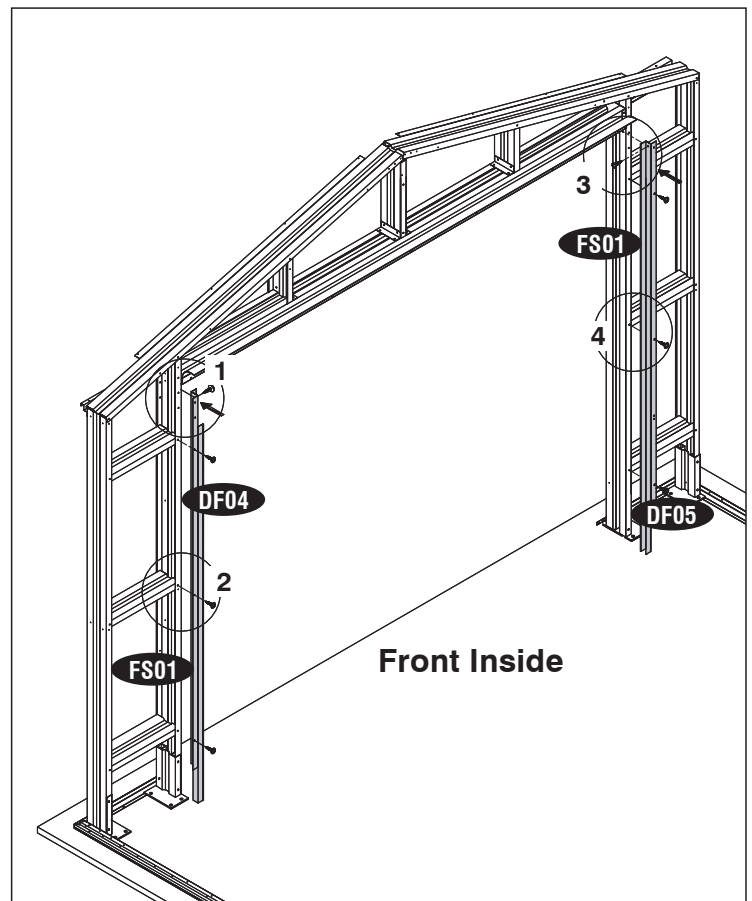


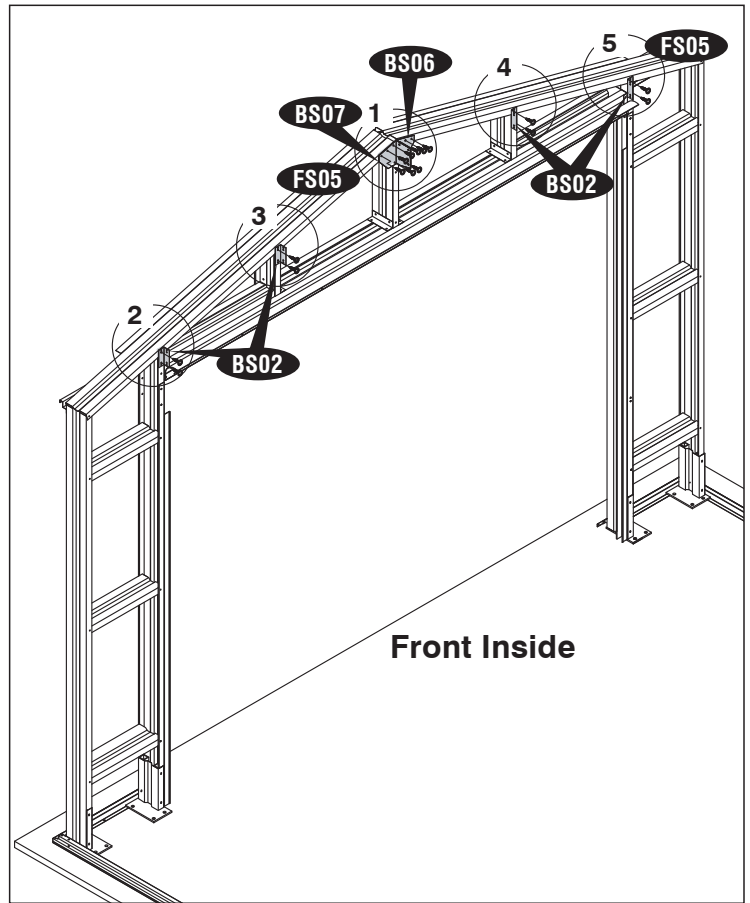
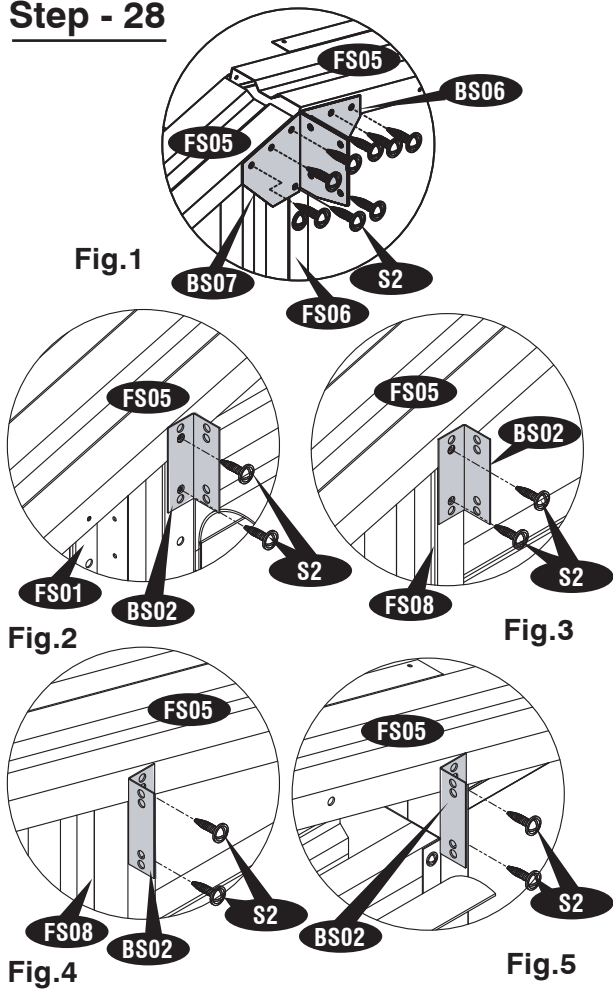
Fig.3

Fig.4

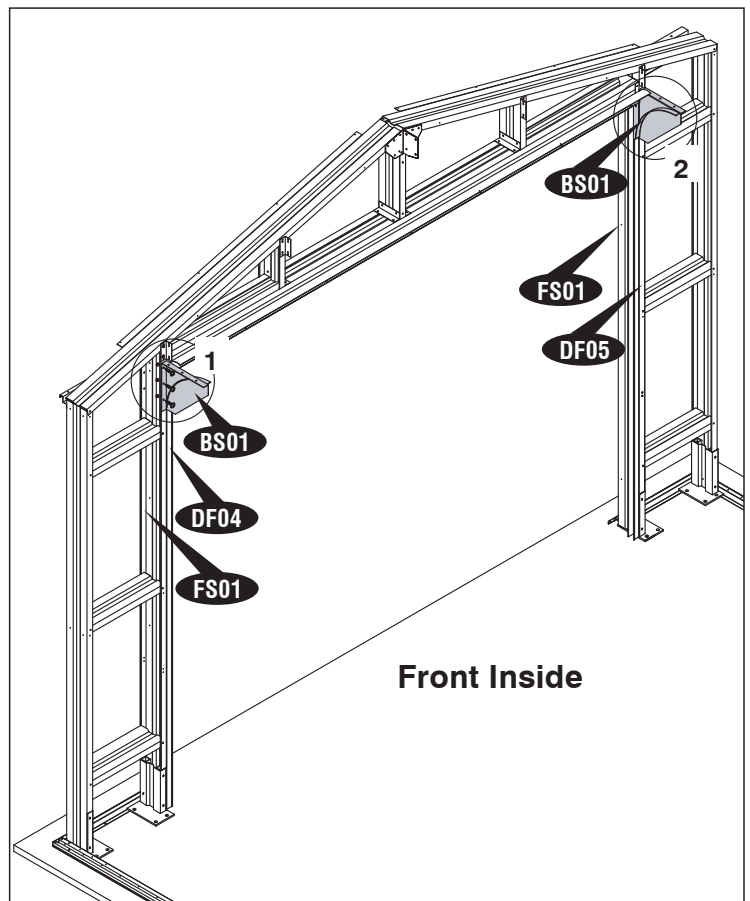
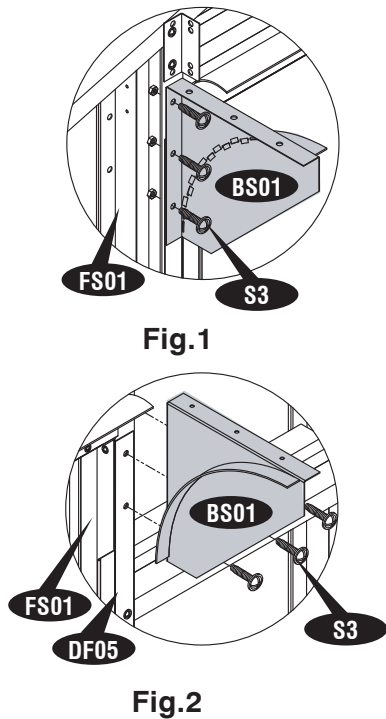


Front Inside

Step - 28



Step - 29



Step - 30

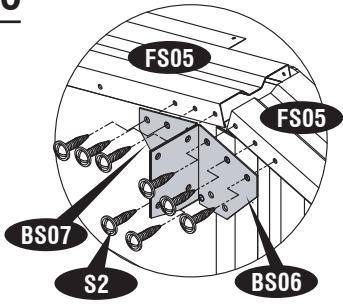


Fig.1

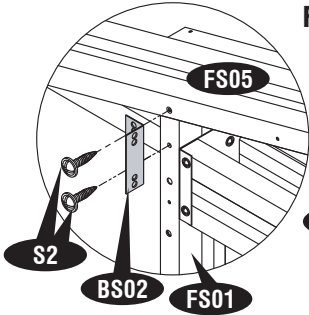


Fig.2

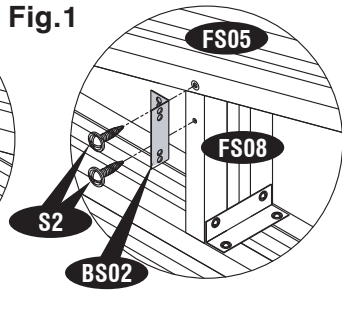


Fig.3

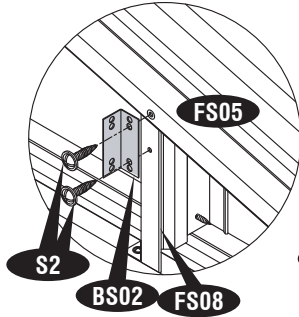


Fig.4

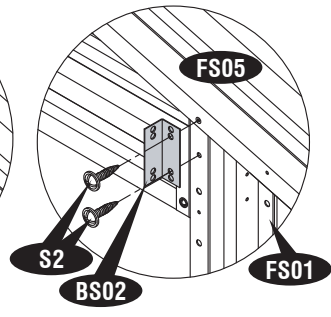
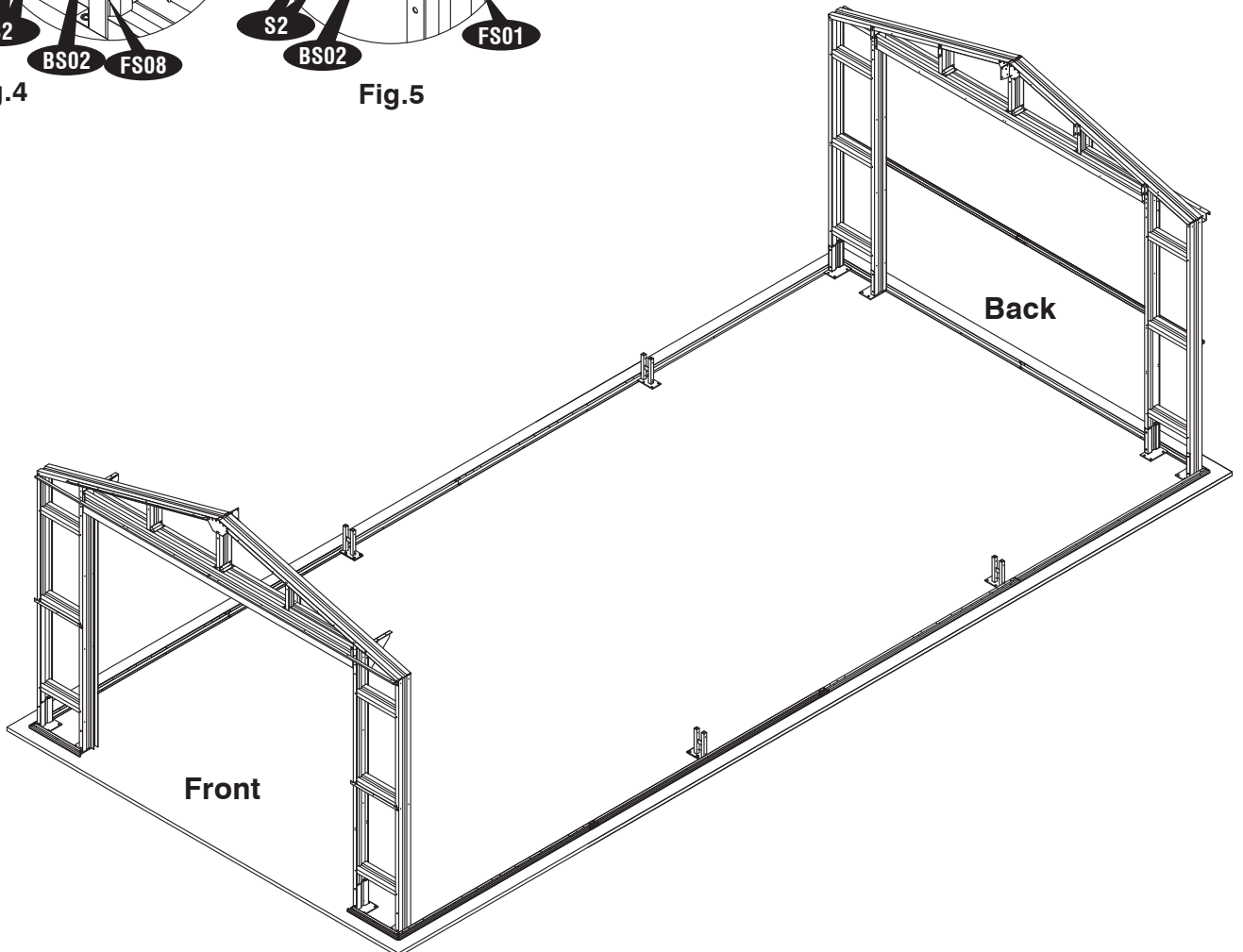
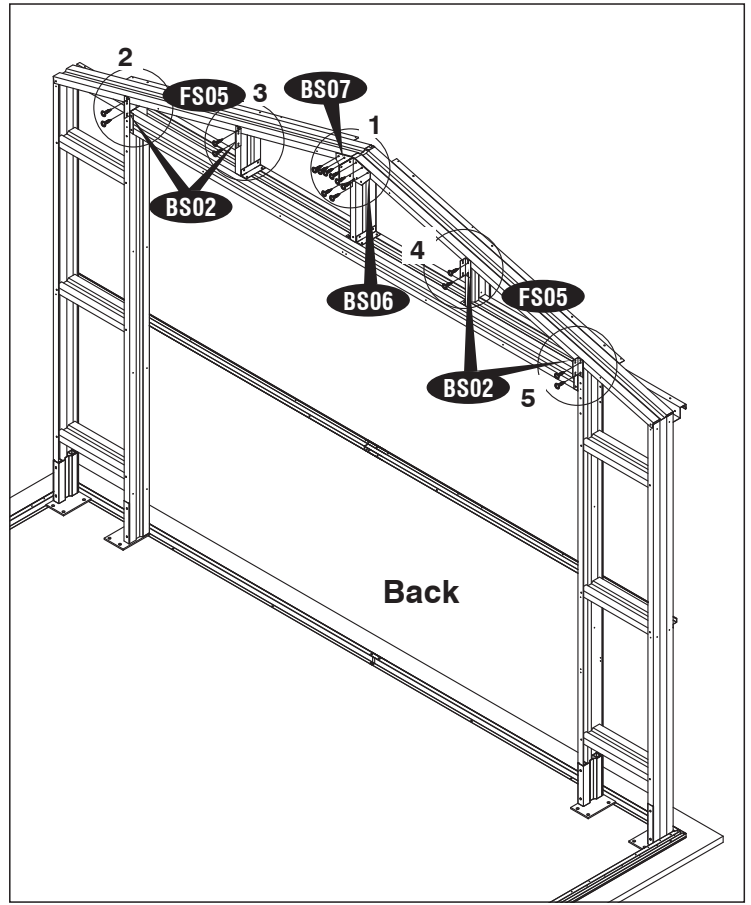


Fig.5



IMPORTANT: USE HAND GLOVES TO PREVENT INJURY.

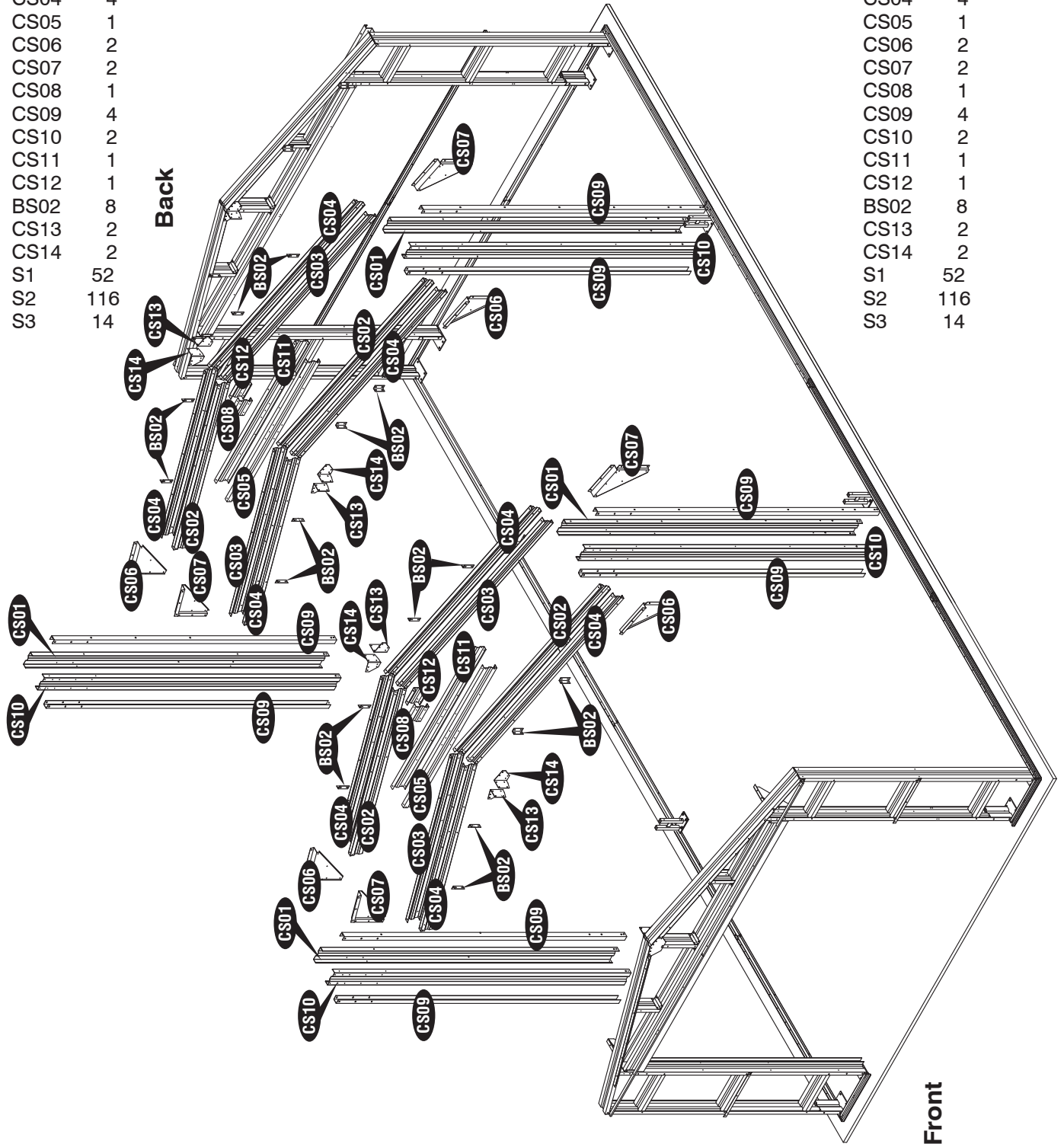
C. Center Structure Assembly

Parts Needed:

Code	Qty
CS01	2
CS02	2
CS03	2
CS04	4
CS05	1
CS06	2
CS07	2
CS08	1
CS09	4
CS10	2
CS11	1
CS12	1
BS02	8
CS13	2
CS14	2
S1	52
S2	116
S3	14

Parts Needed for each extension:

Code	Qty
CS01	2
CS02	2
CS03	2
CS04	4
CS05	1
CS06	2
CS07	2
CS08	1
CS09	4
CS10	2
CS11	1
CS12	1
BS02	8
CS13	2
CS14	2
S1	52
S2	116
S3	14



Step - 1

Make 2 Sets

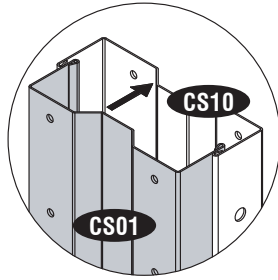


Fig.1

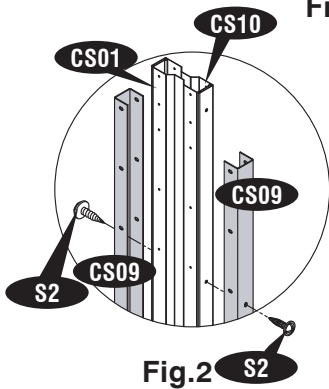


Fig.2

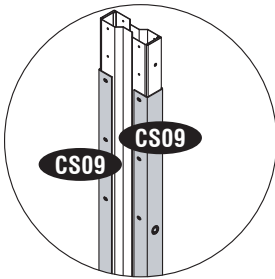
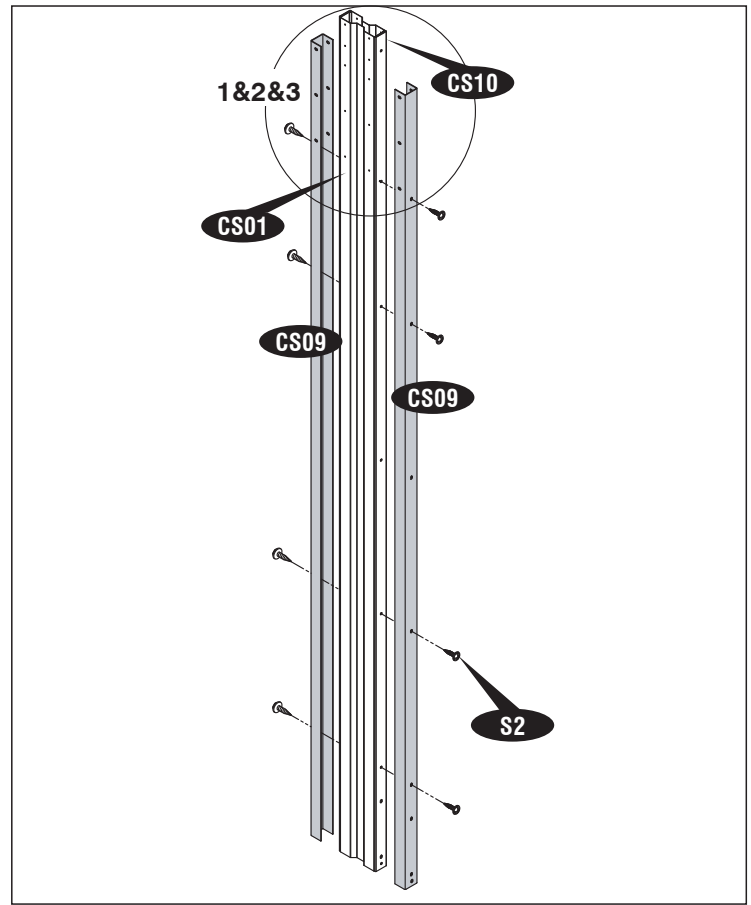
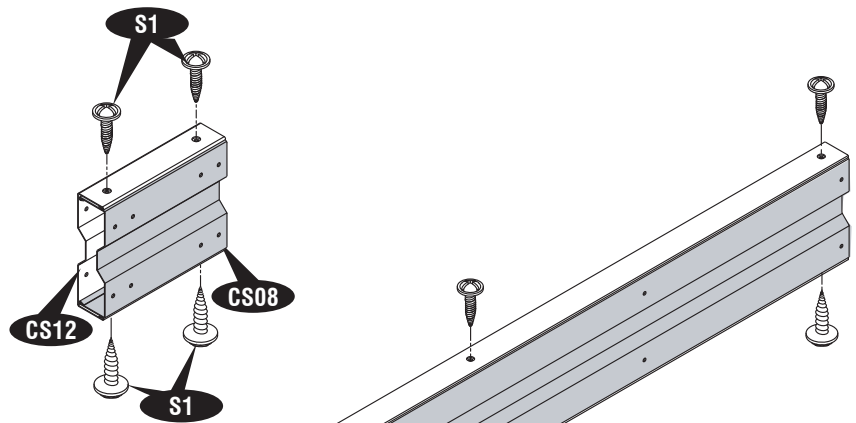
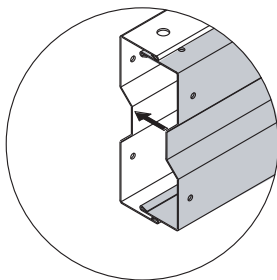


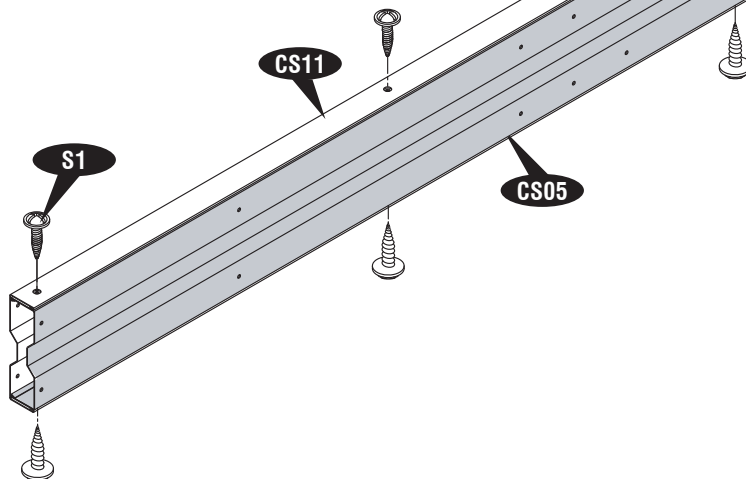
Fig.3



Step - 2

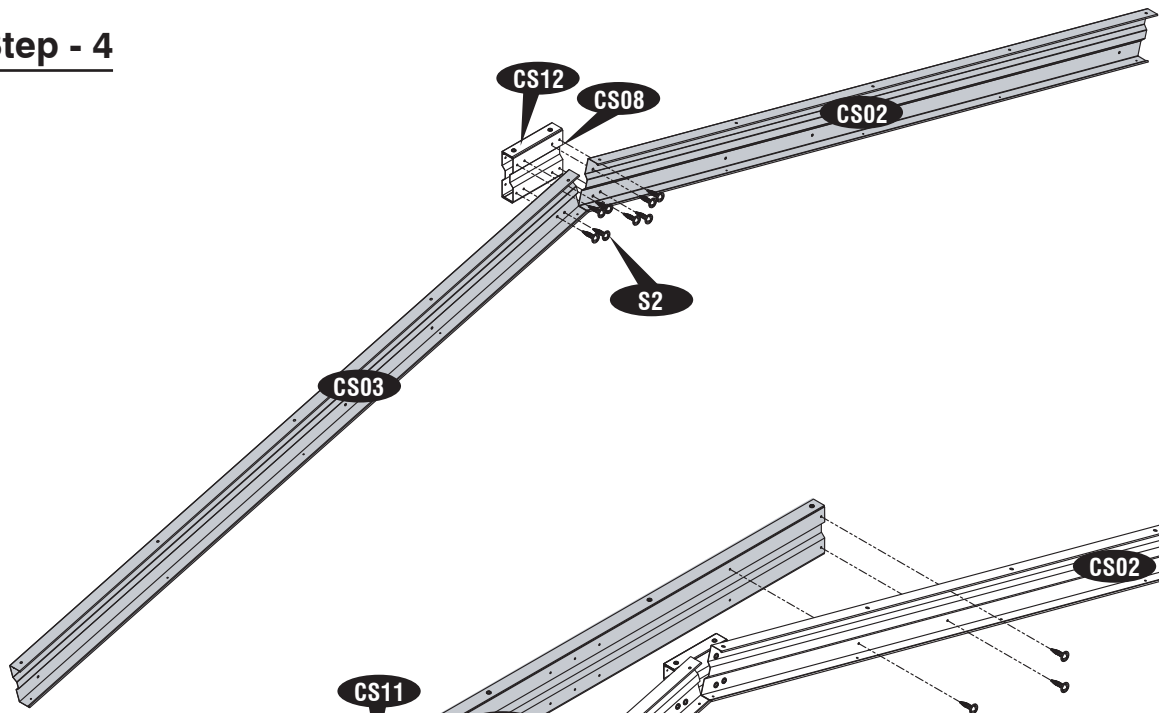


Step - 3

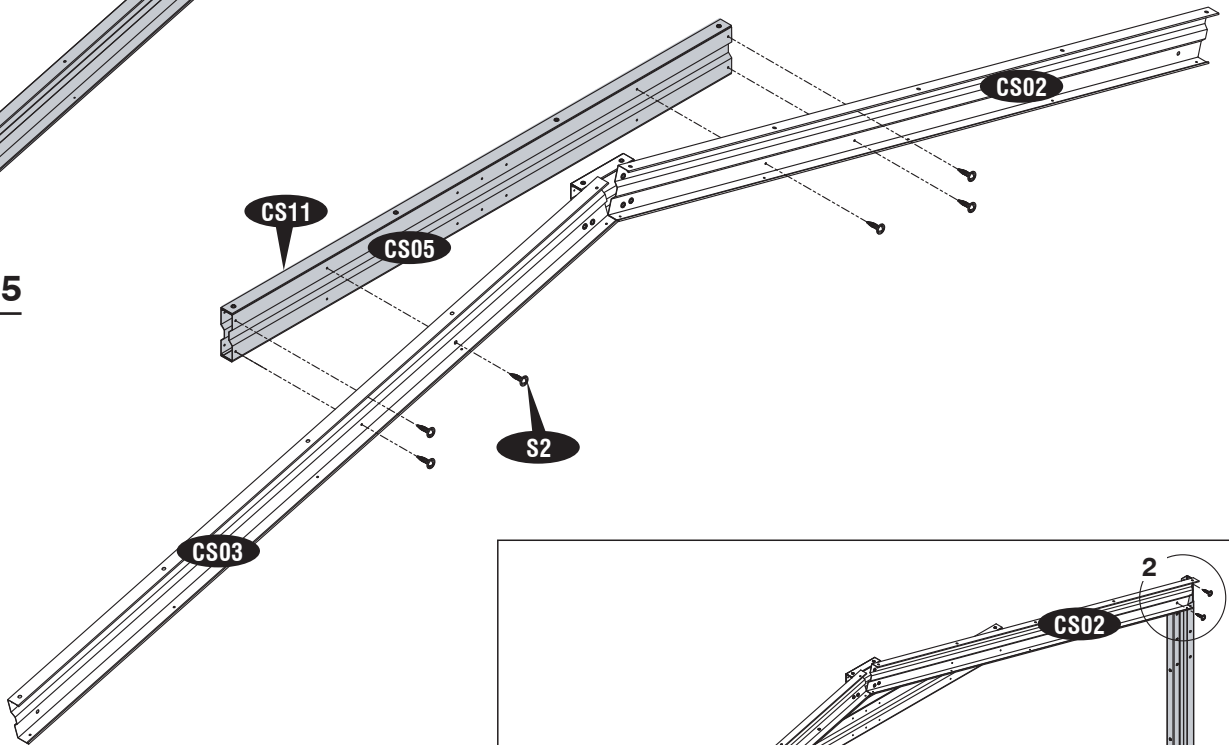


IMPORTANT: USE HAND GLOVES TO PREVENT INJURY.

Step - 4



Step - 5



Step - 6

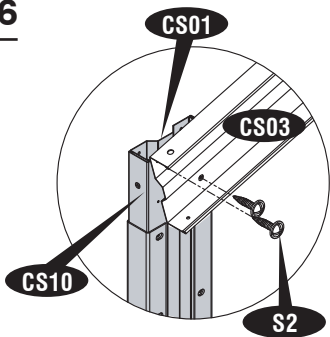


Fig.1

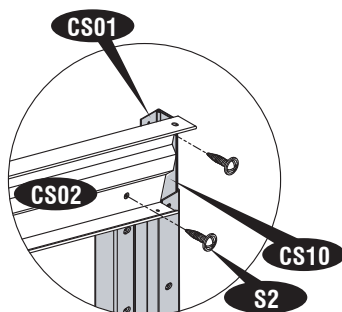
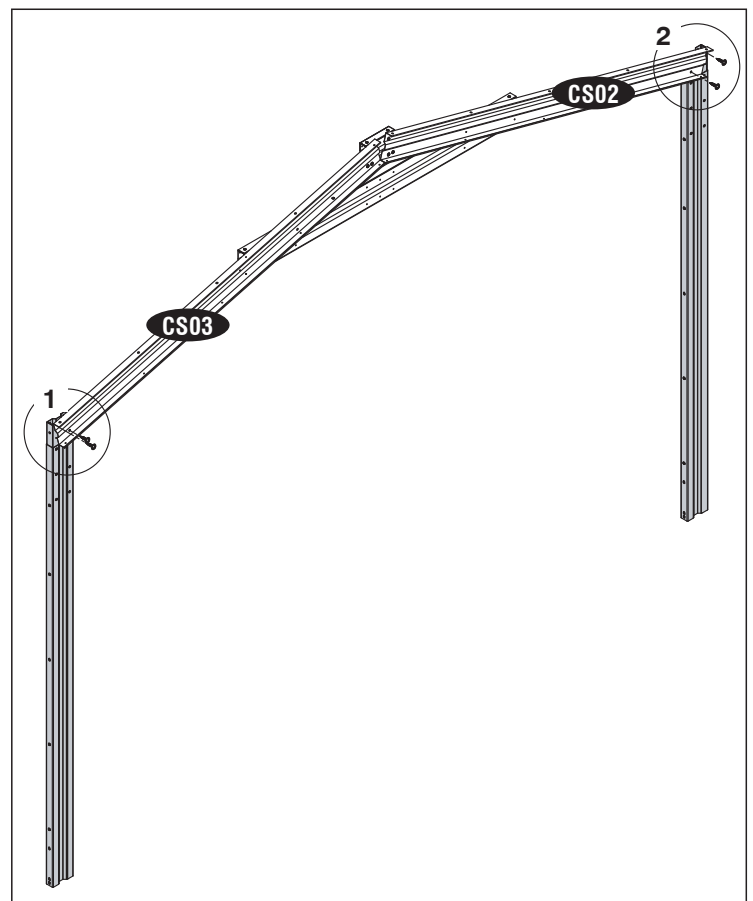


Fig.2



IMPORTANT: USE HAND GLOVES TO PREVENT INJURY.

Step -7

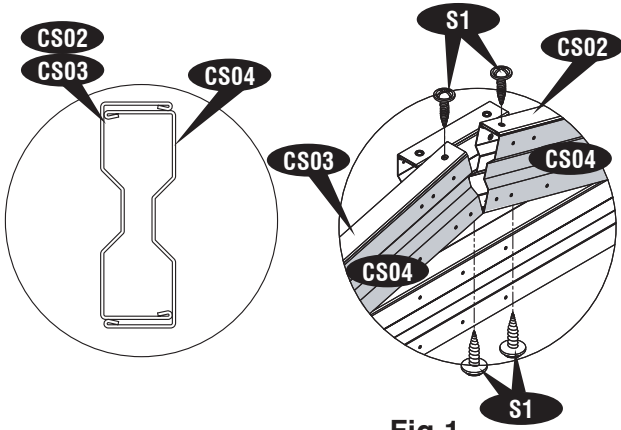


Fig.1

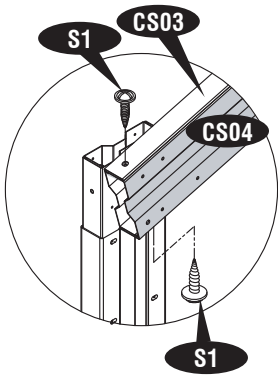


Fig.2

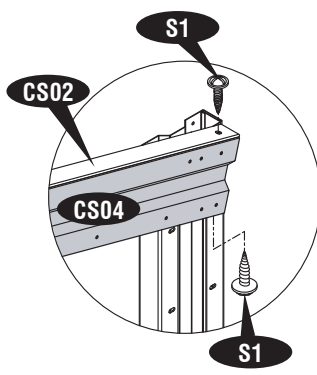
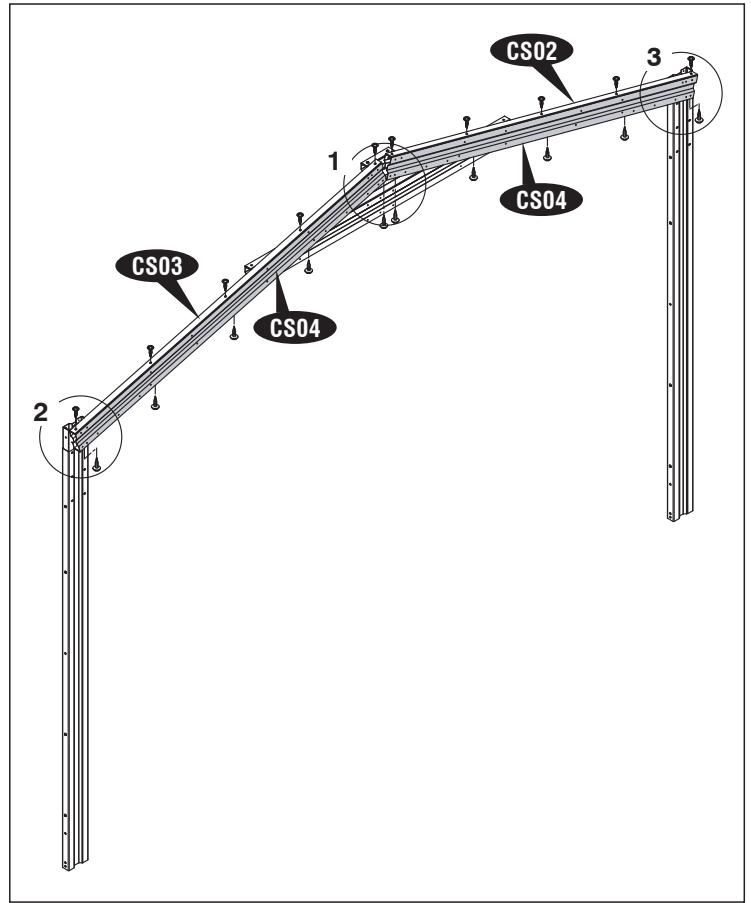


Fig.3



Step -8

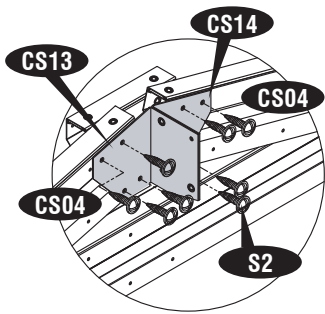
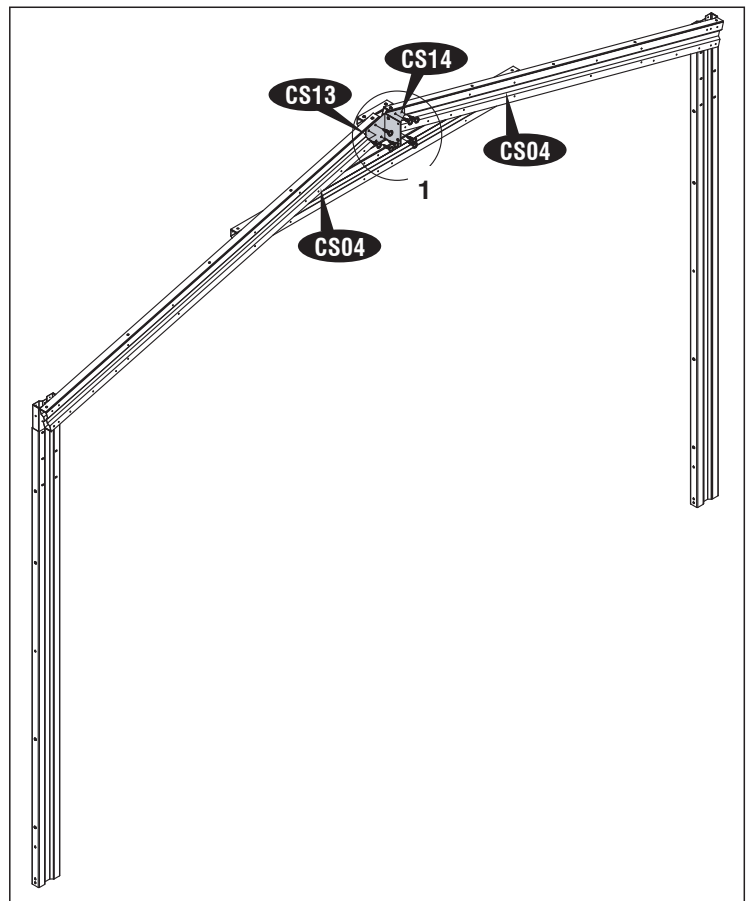


Fig.1



IMPORTANT: USE HAND GLOVES TO PREVENT INJURY.

Step -9

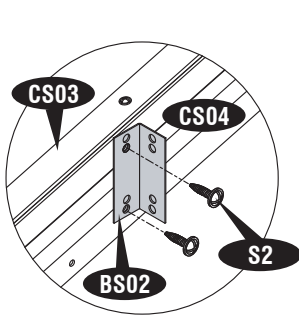


Fig.1

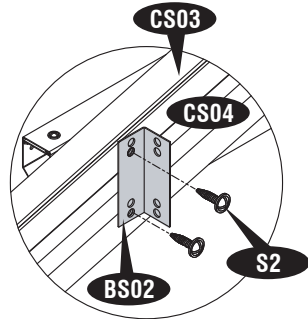


Fig.2

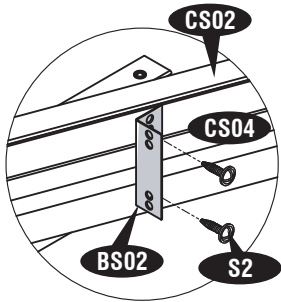


Fig.3

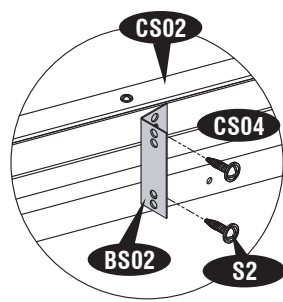
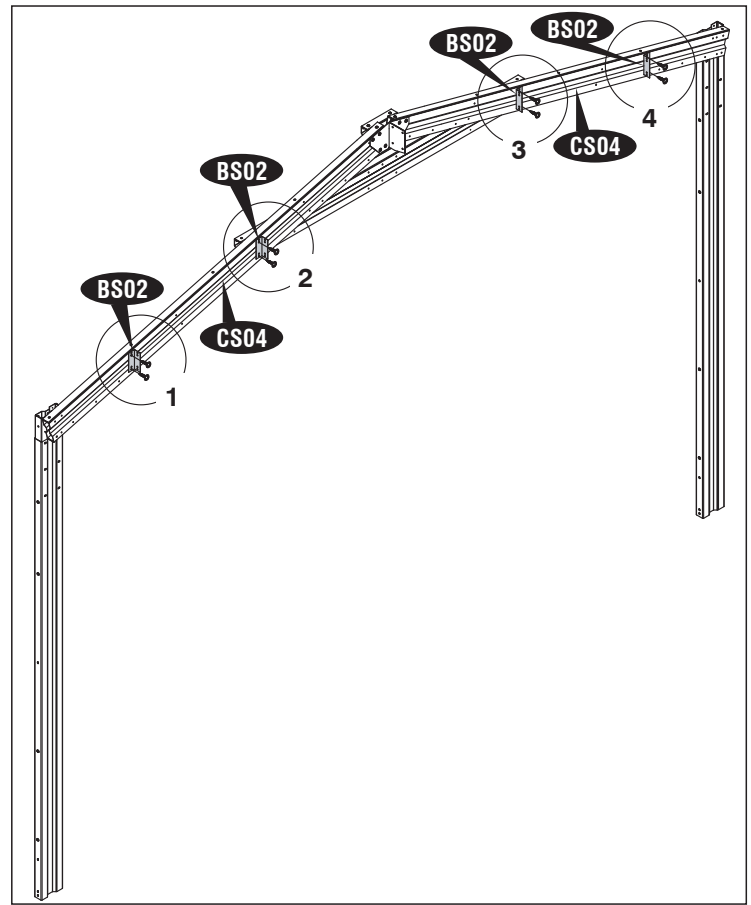


Fig.4



Step -10

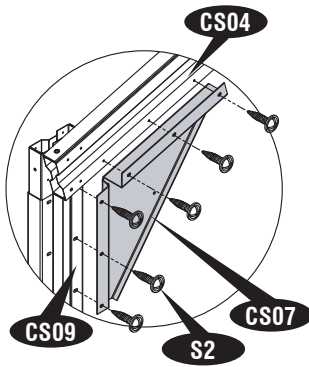


Fig.1

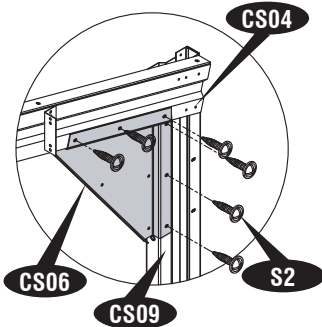
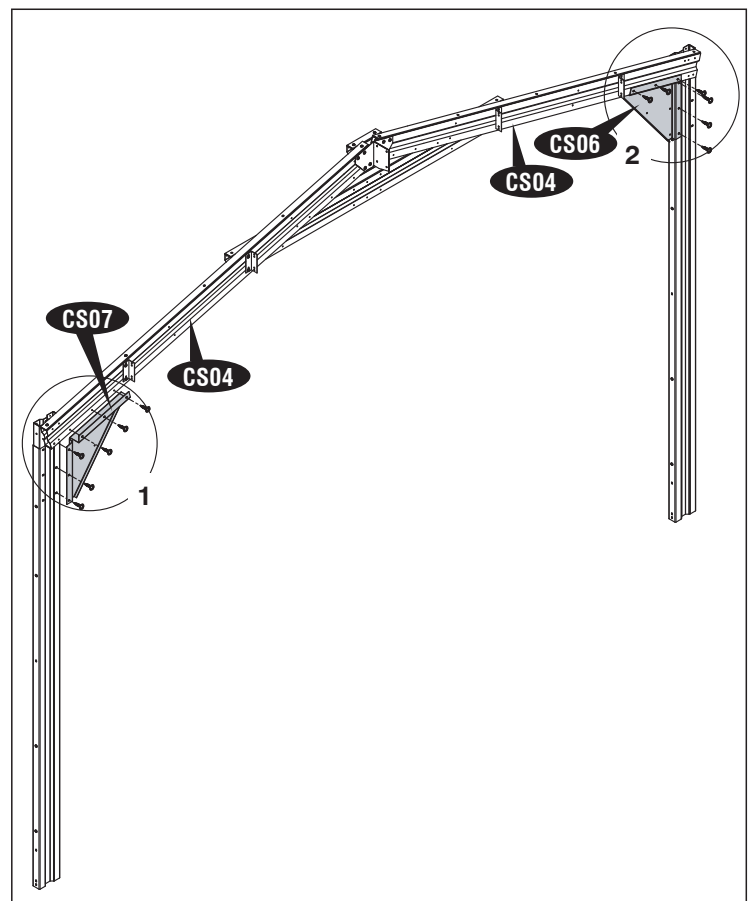
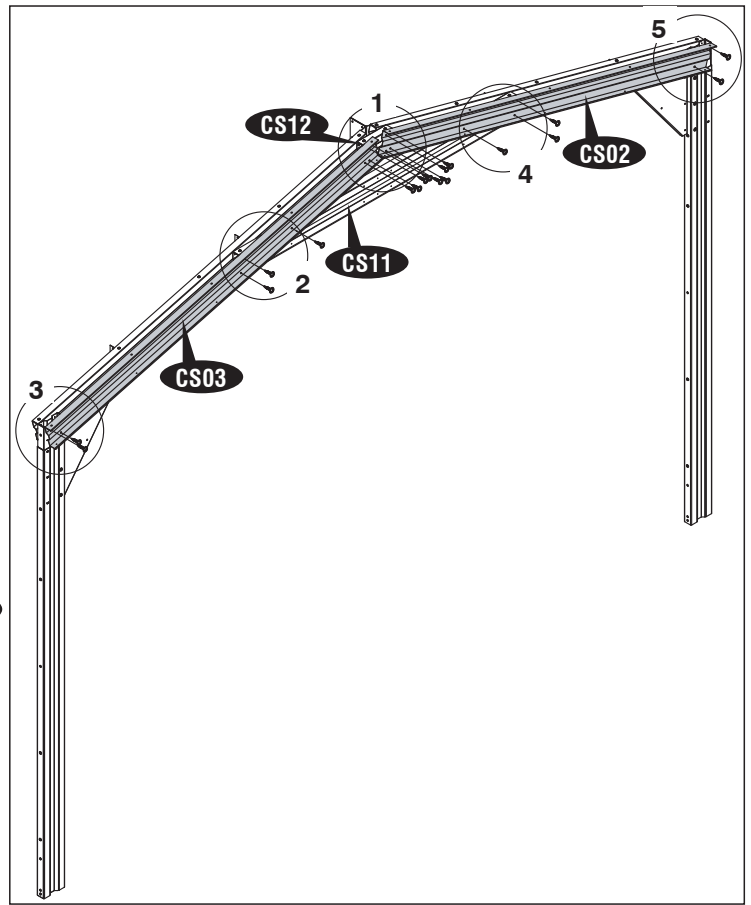
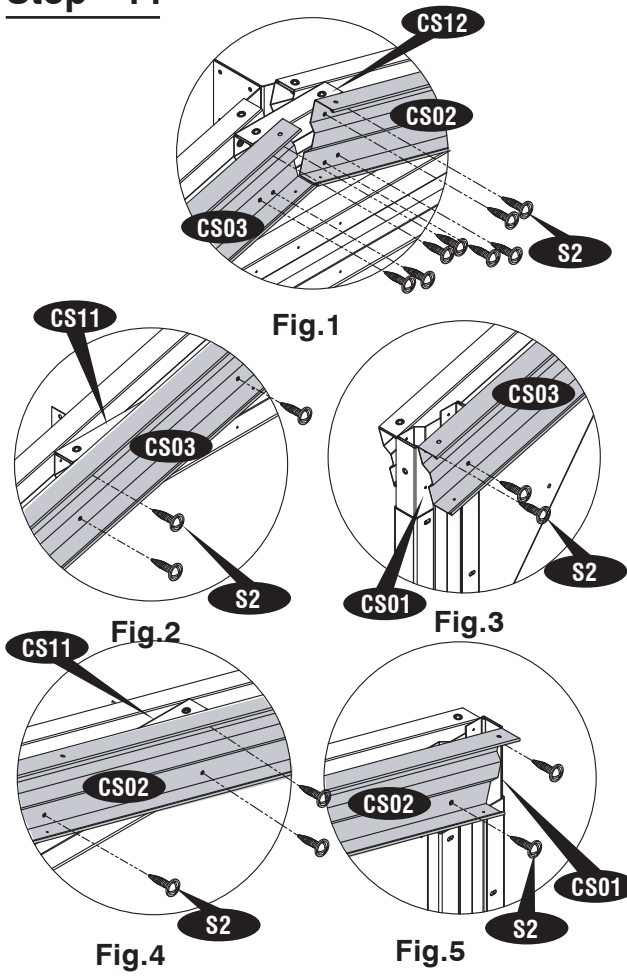


Fig.2

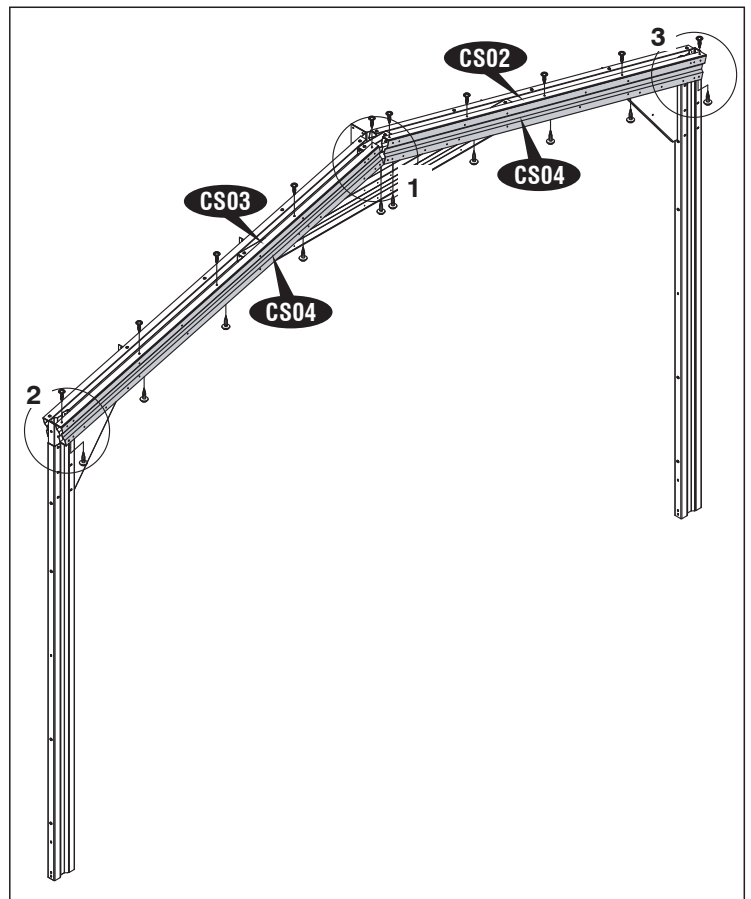
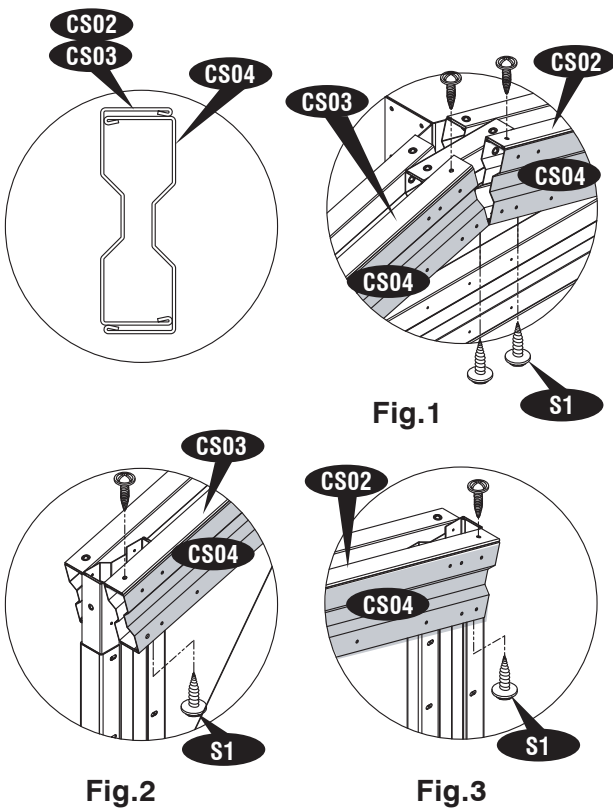


IMPORTANT: USE HAND GLOVES TO PREVENT INJURY.

Step - 11



Step - 12



Step - 13

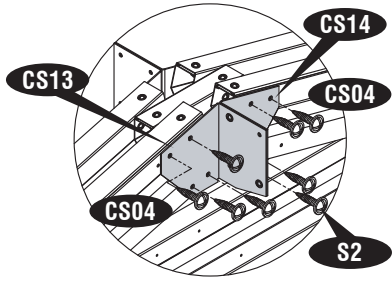
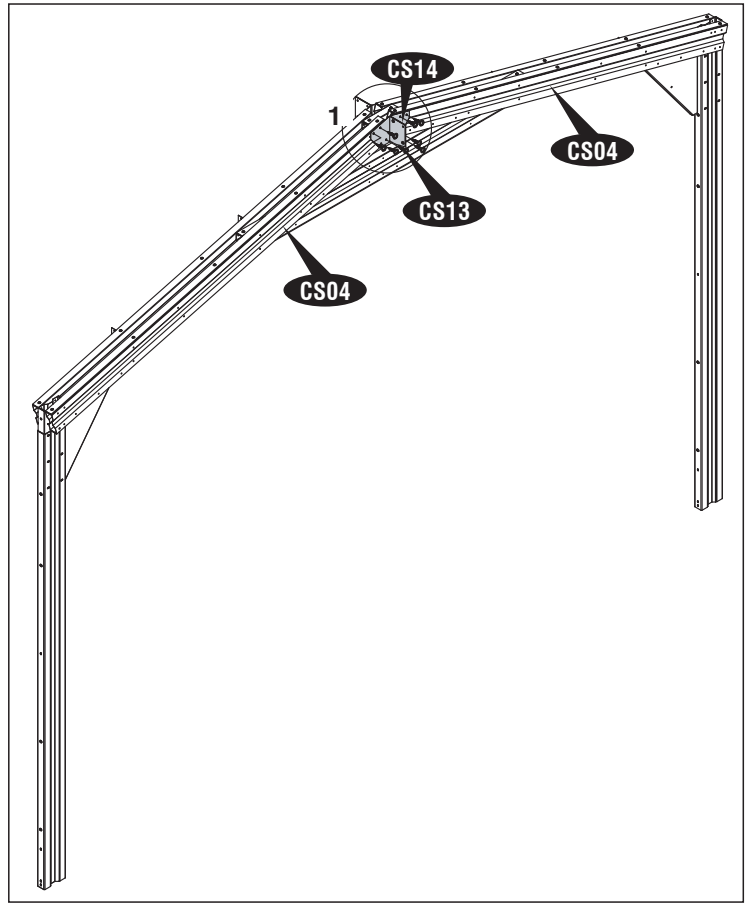


Fig.1



Step - 14

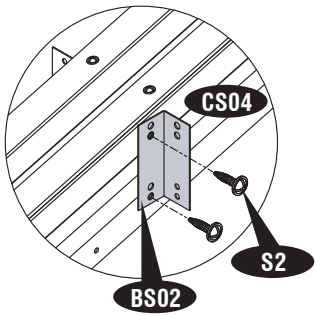


Fig.1

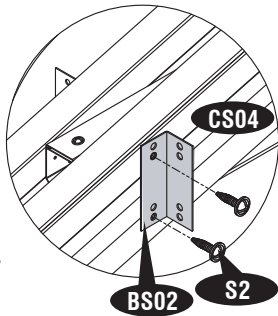


Fig.2

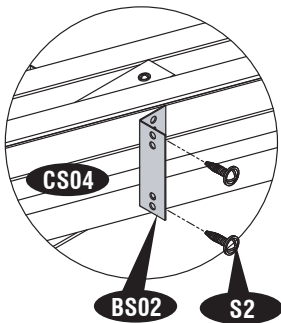


Fig.3

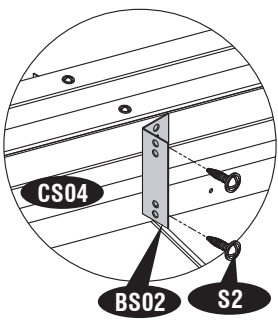
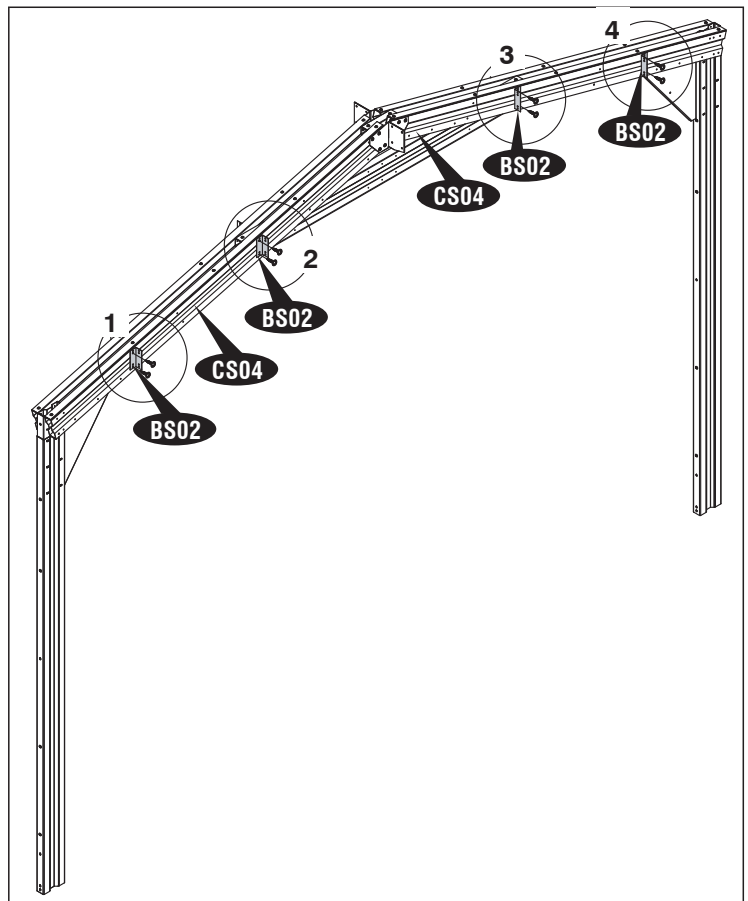


Fig.4



Step - 15

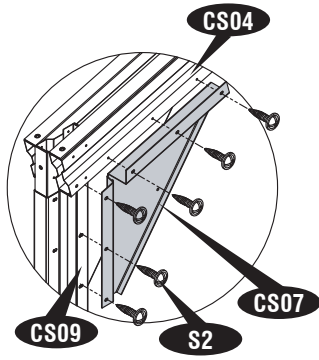


Fig.1

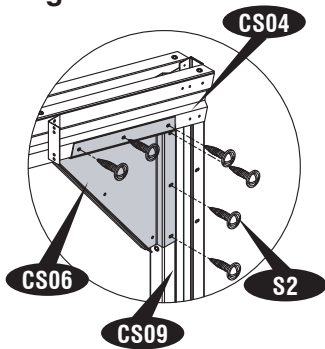
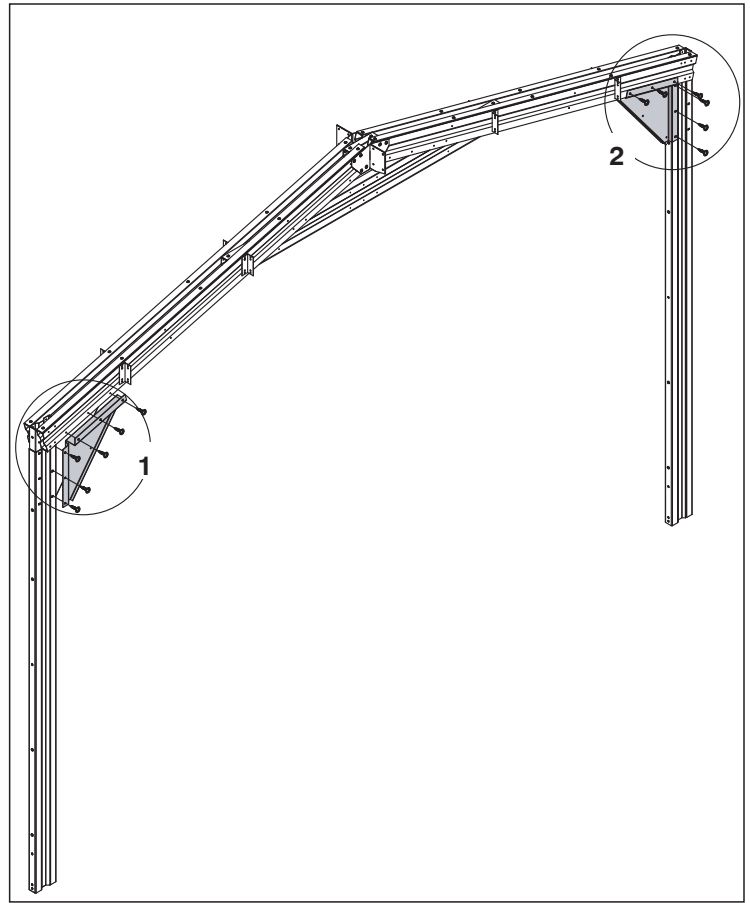


Fig.2



Step - 16

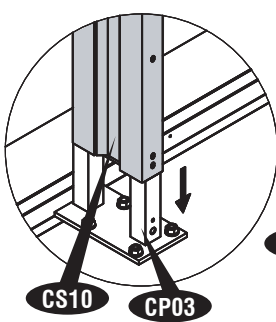


Fig.1

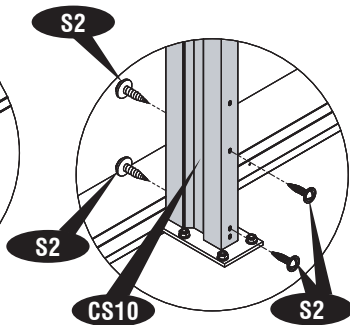


Fig.2

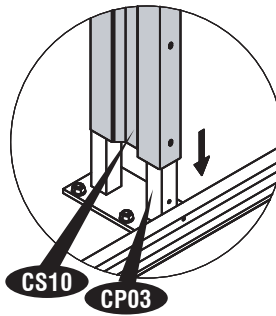


Fig.3

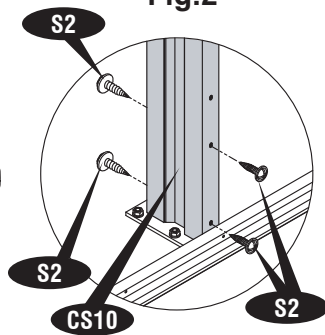
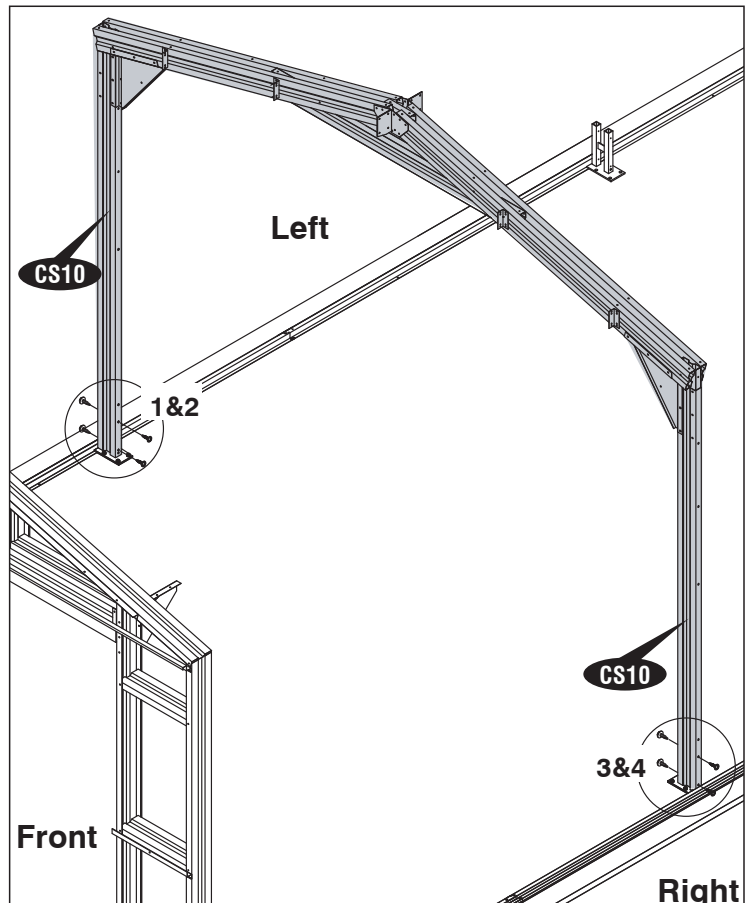


Fig.4



Step - 17

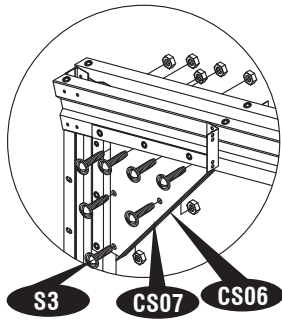


Fig.1

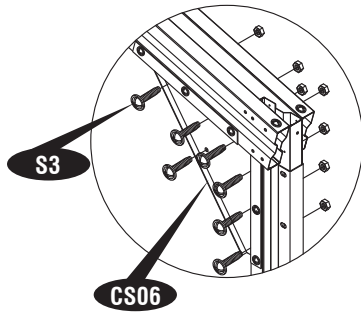
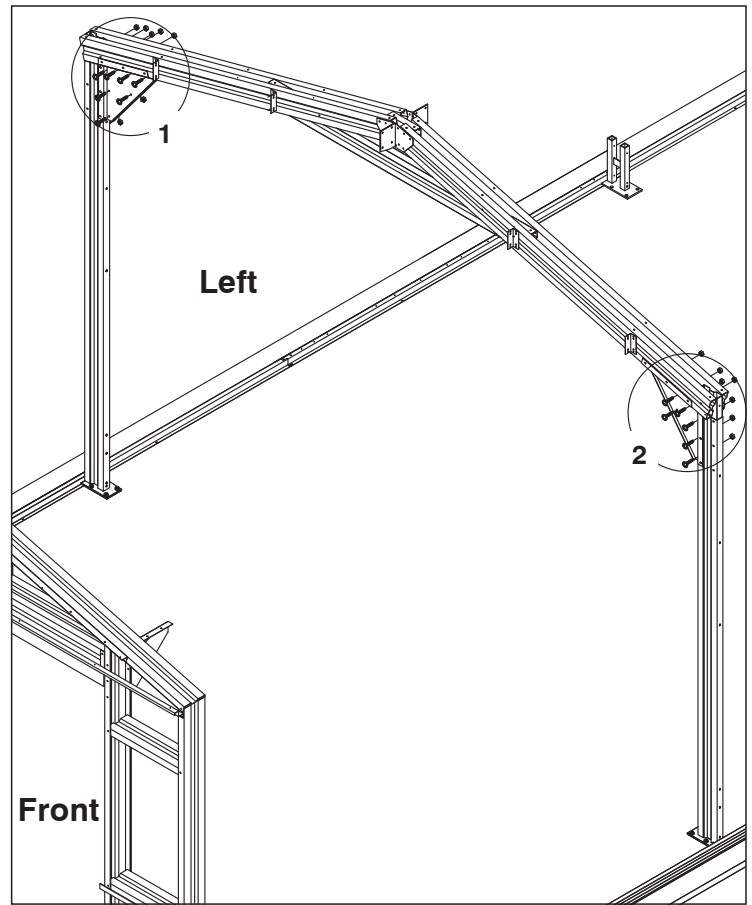


Fig.2



Step - 18

Follow steps 1-15 & prepare another center structure assembly & Assemble with Column support plate (CP03). Use (S2) Screws.

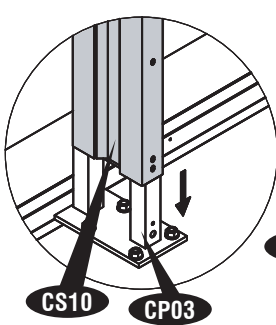


Fig.1

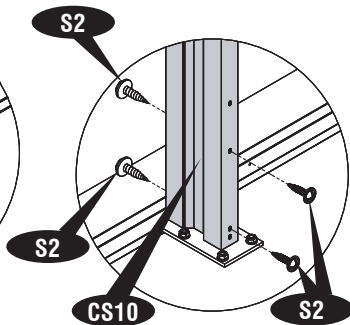


Fig.2

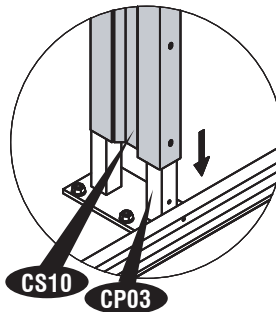


Fig.3

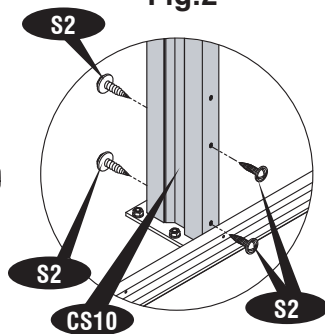
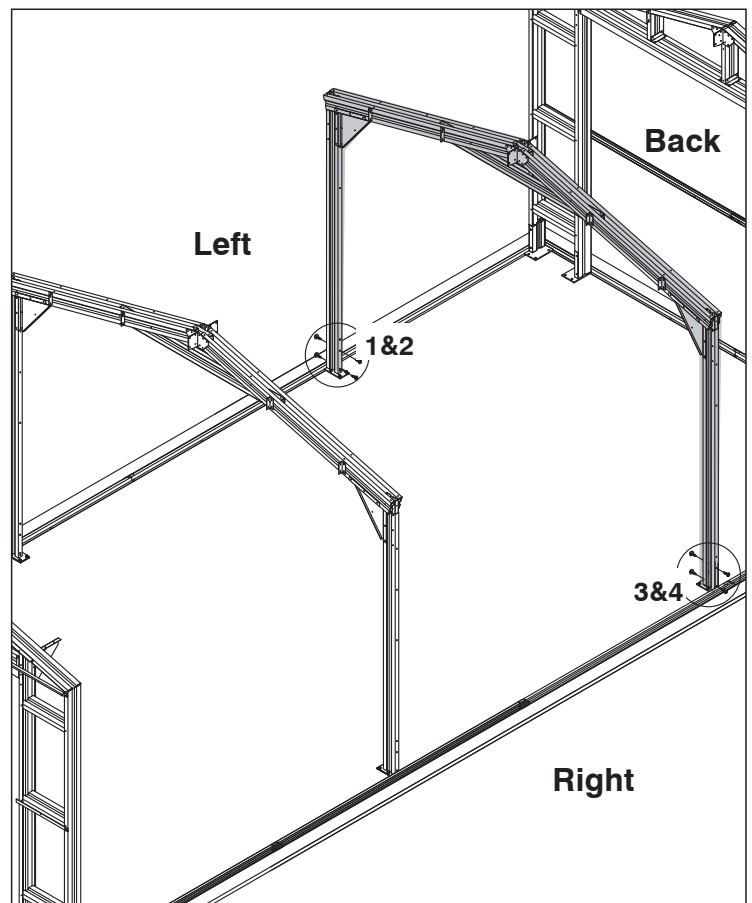


Fig.4



Step - 19

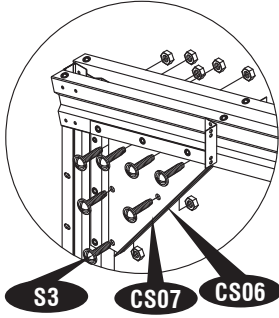


Fig.1

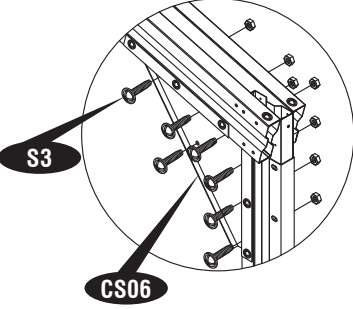
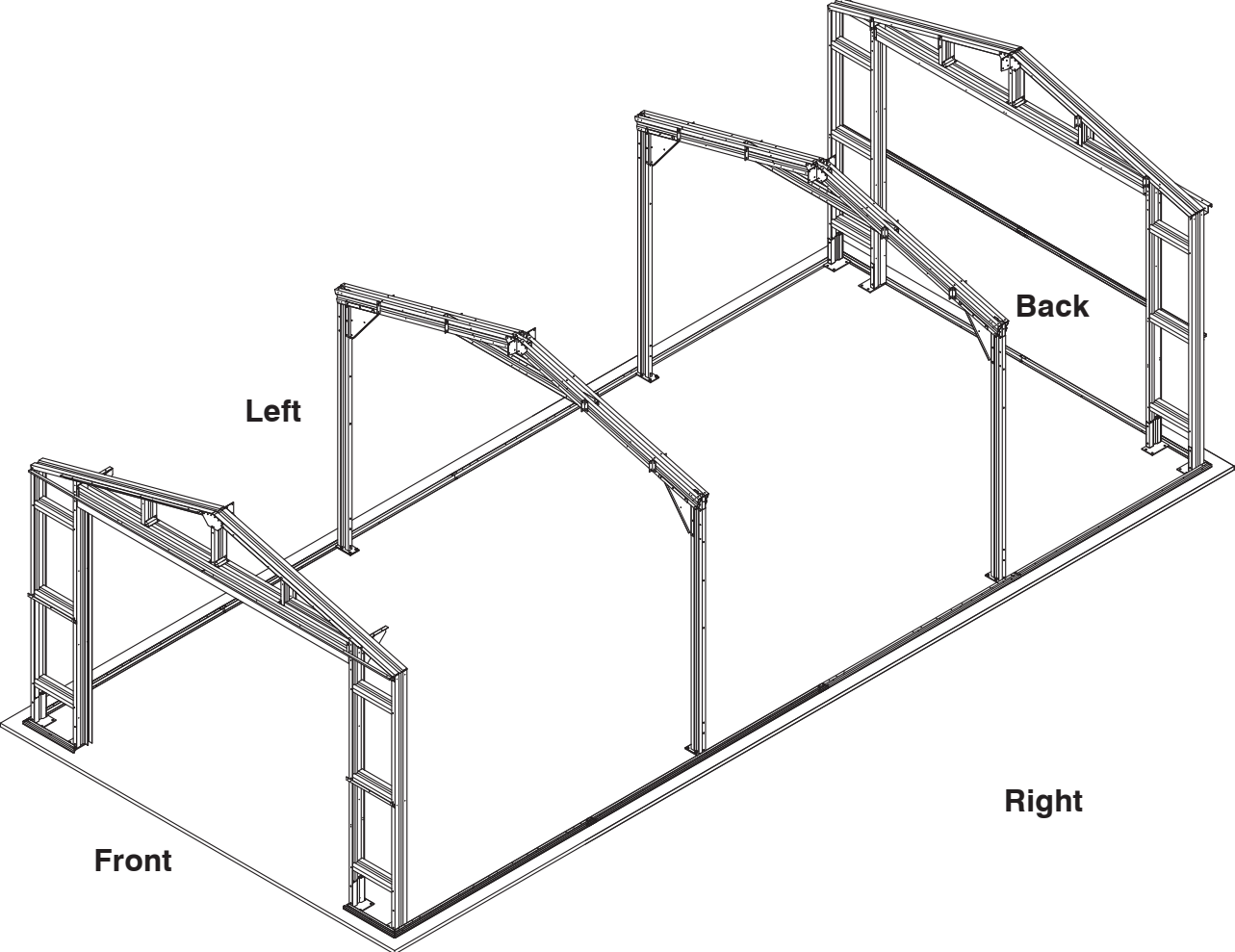
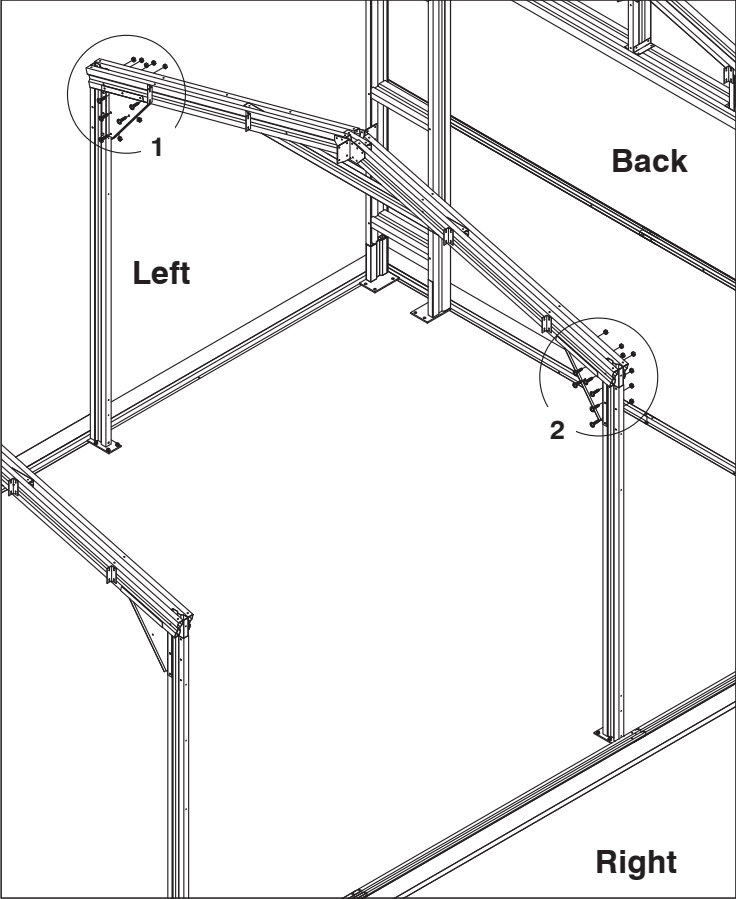


Fig.2

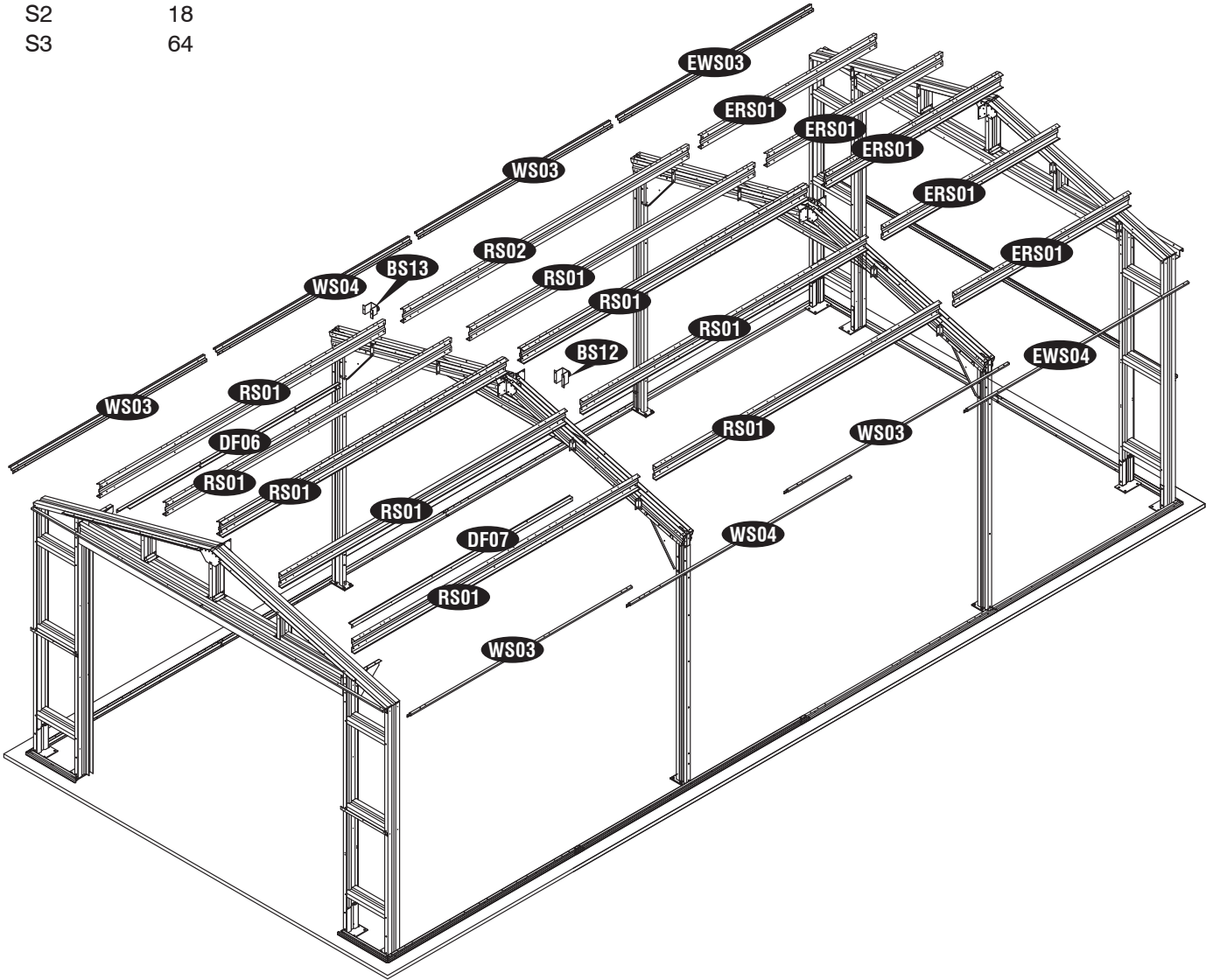


IMPORTANT: USE HAND GLOVES TO PREVENT INJURY.

D. Roof Structure Assembly

Parts Needed: **Parts Needed for each extension:**

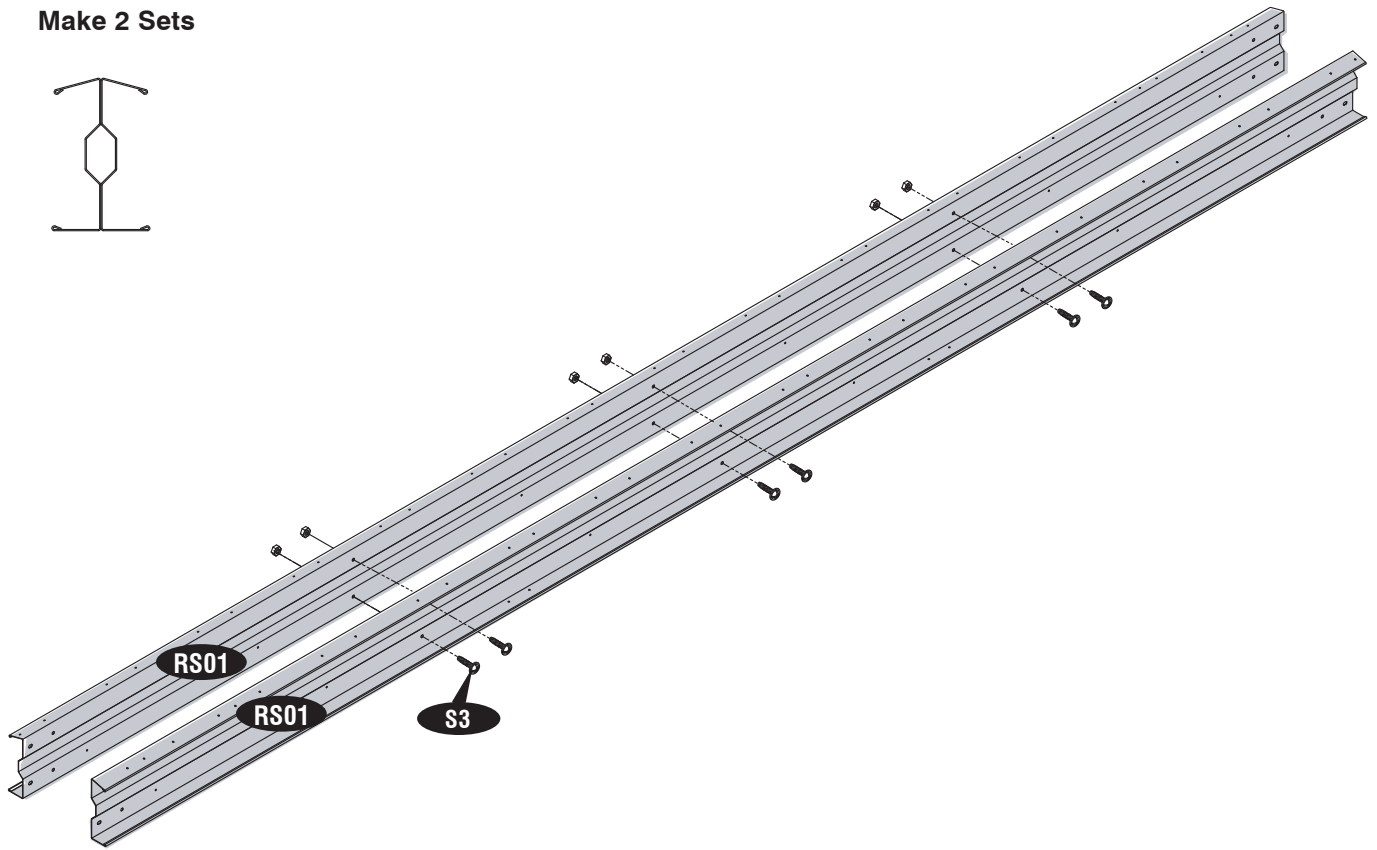
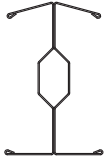
<u>Code</u>	<u>Qty</u>	<u>Code</u>	<u>Qty</u>
RS01	11	ERS01	6
RS02	1	EWS03	1
DF06	1	EWS04	1
DF07	1	S1	6
WS03	4	S2	2
WS04	2	S3	28
BS12	1		
BS13	1		
GW	3		
S1	20		
S2	18		
S3	64		



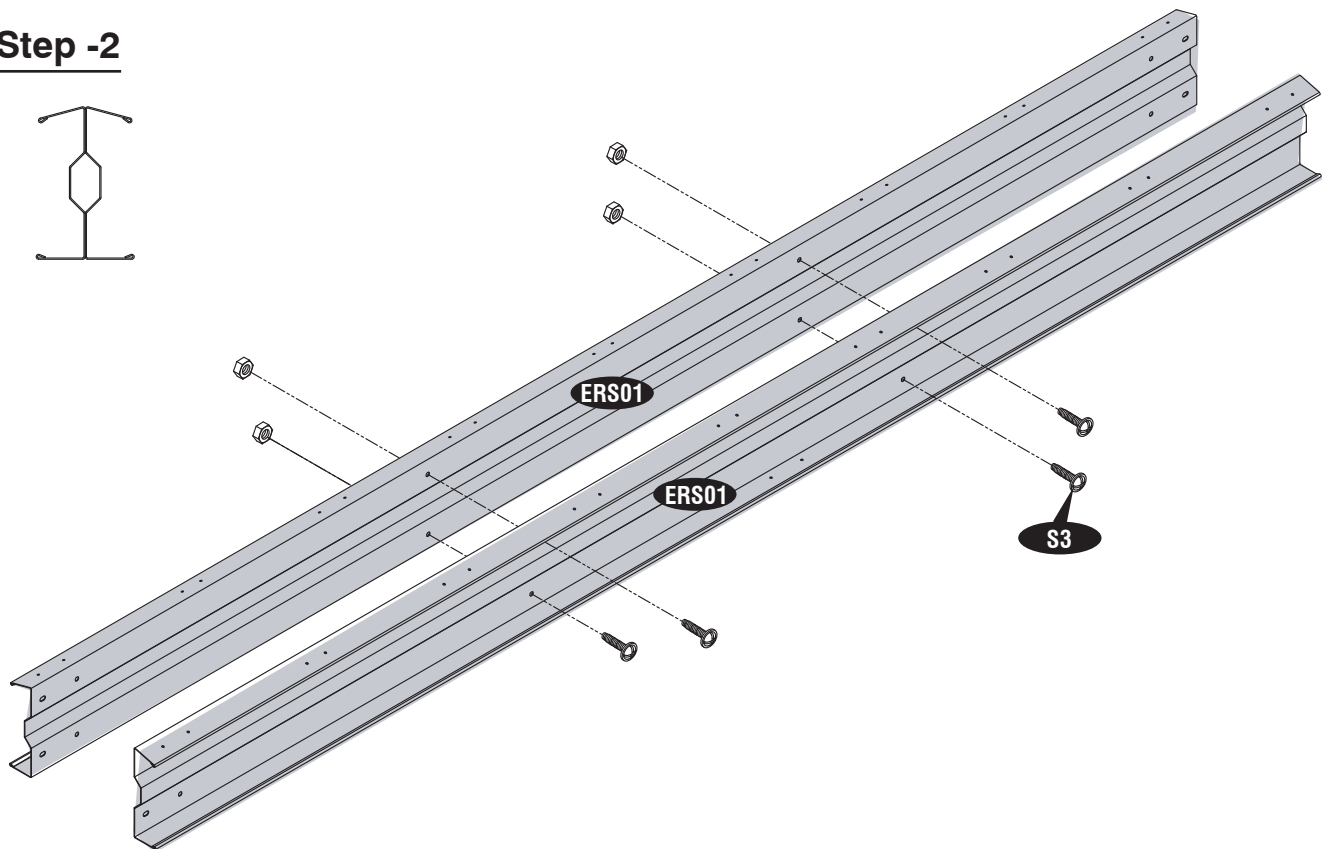
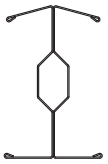
IMPORTANT: USE HAND GLOVES TO PREVENT INJURY.

Step -1

Make 2 Sets



Step -2



Step -3

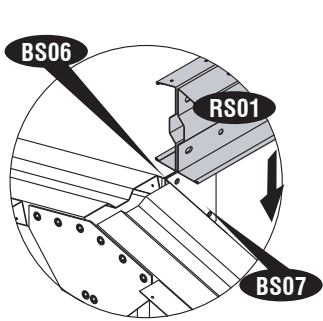
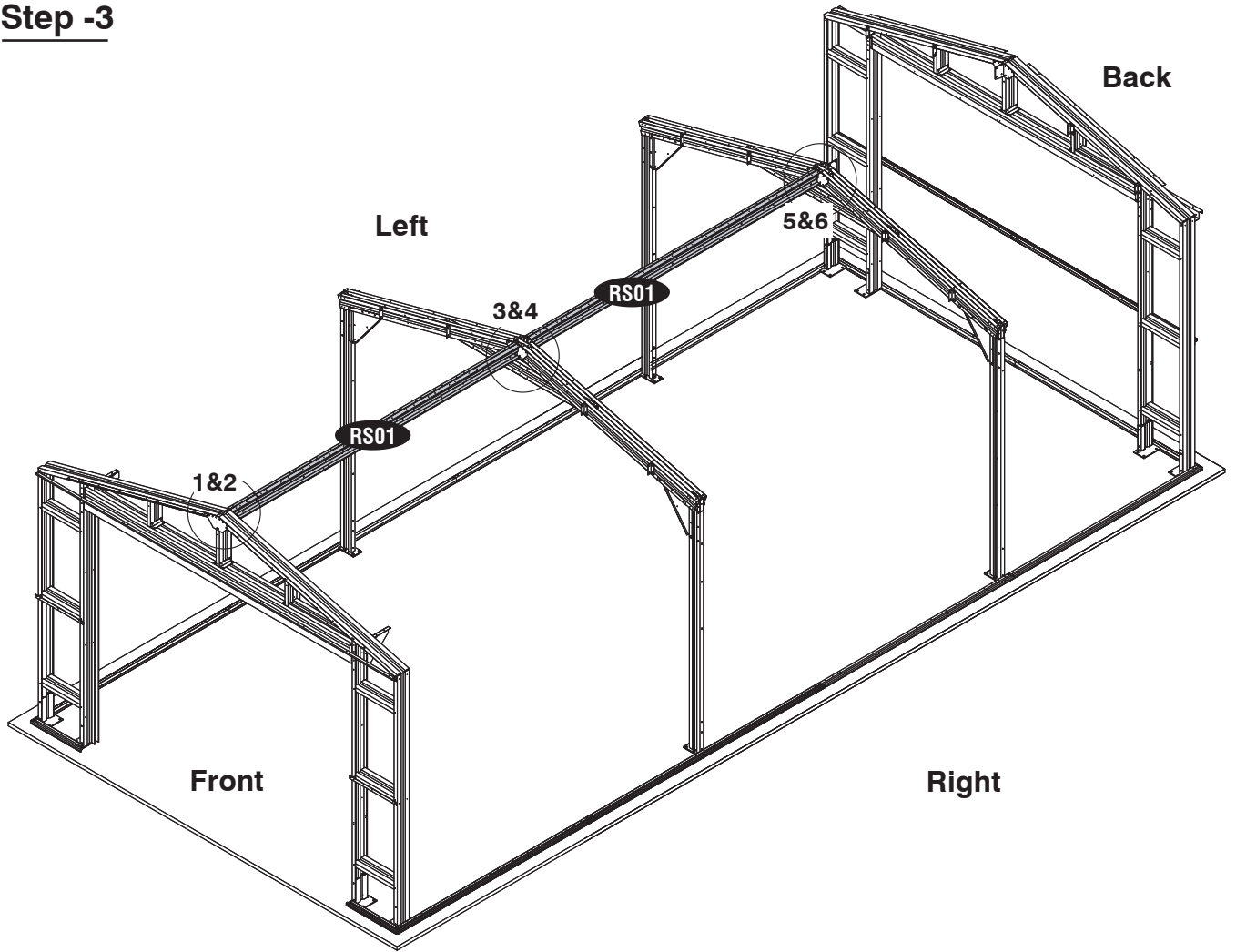


Fig.1

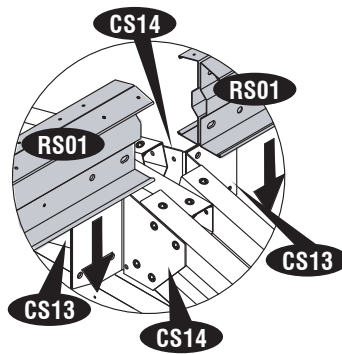


Fig.3

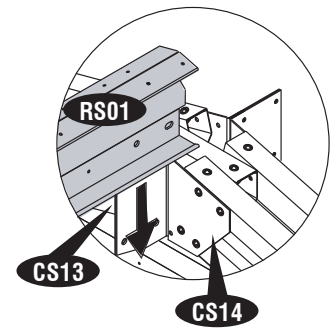


Fig.5

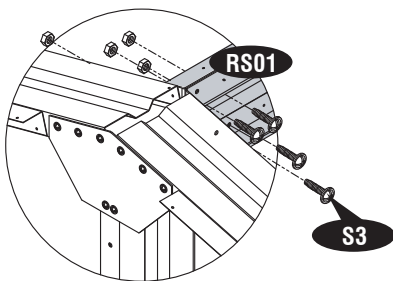


Fig.2

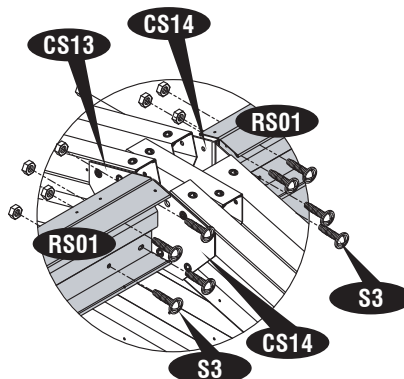


Fig.4

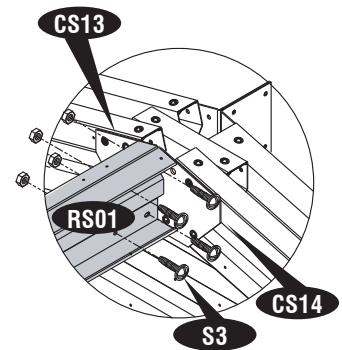


Fig.6

IMPORTANT: USE HAND GLOVES TO PREVENT INJURY.

Step -4

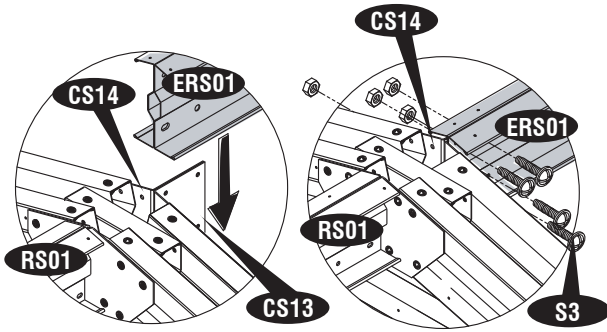


Fig.1

Fig.2

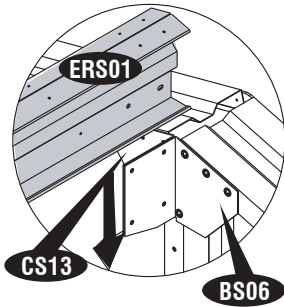


Fig.3

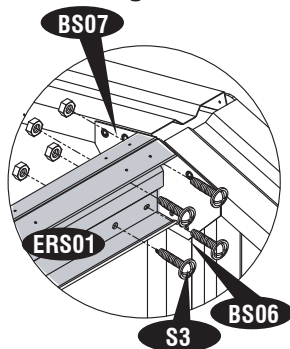
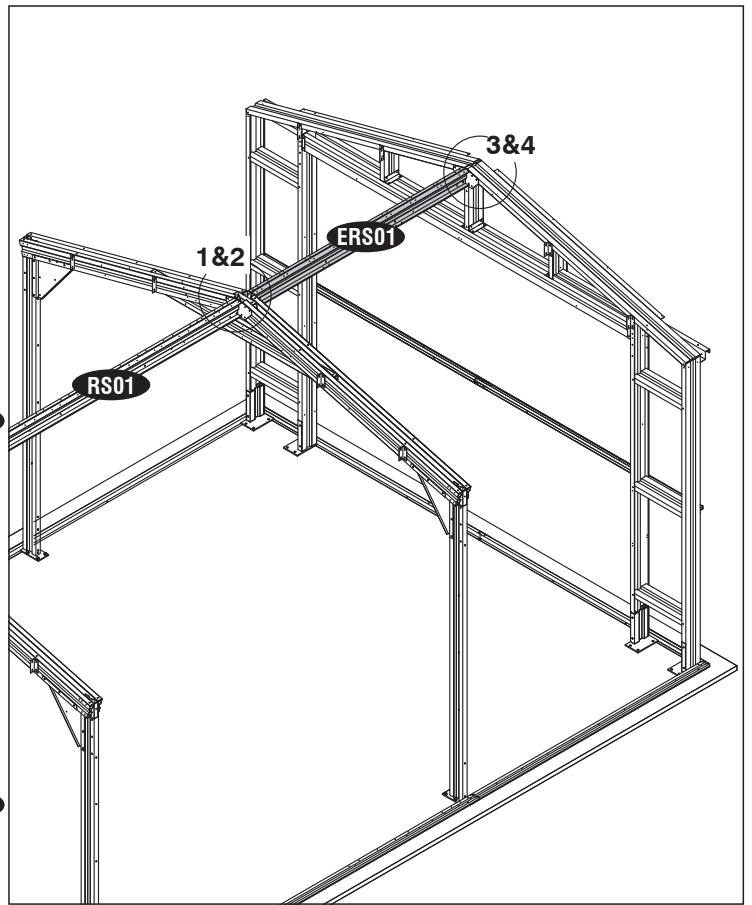


Fig.4



Step -5

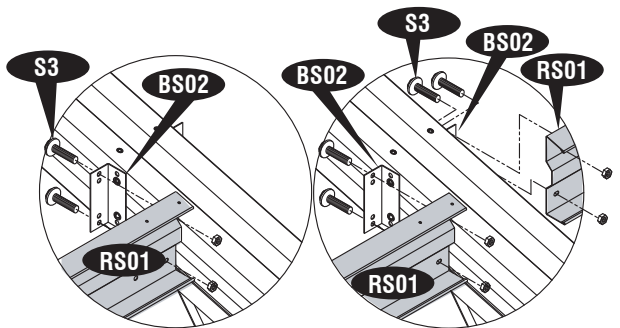


Fig.1

Fig.2

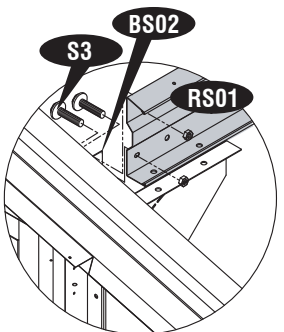


Fig.3

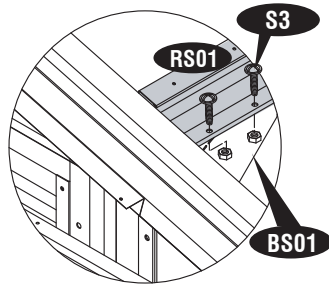
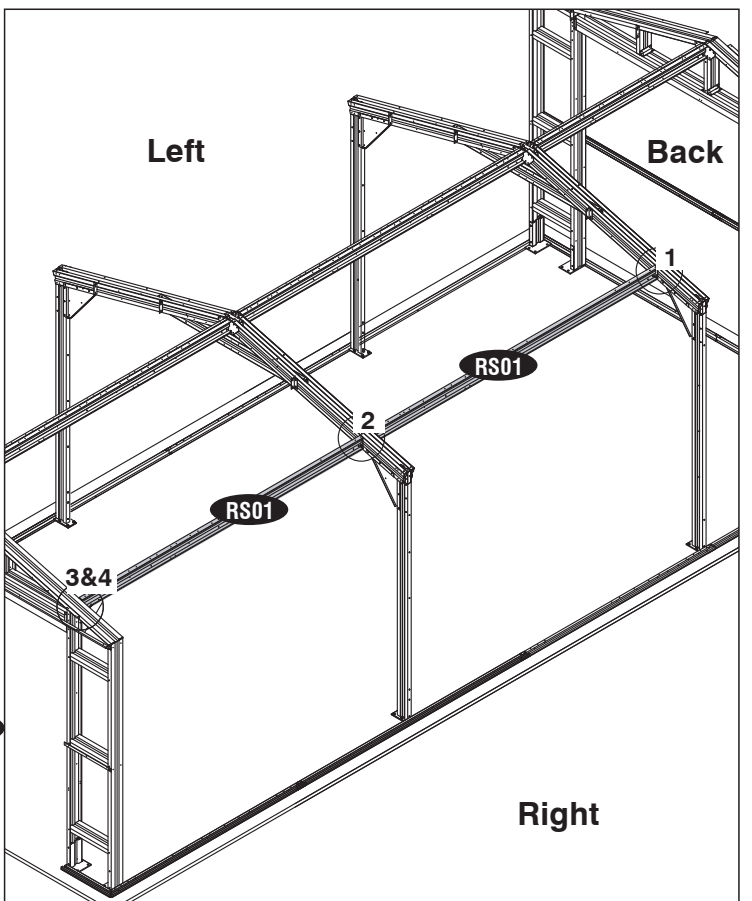


Fig.4



Step - 6

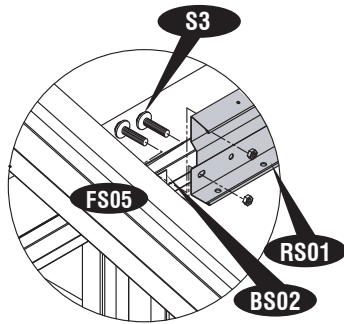


Fig.1

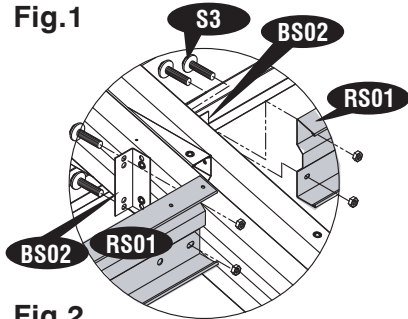


Fig.2

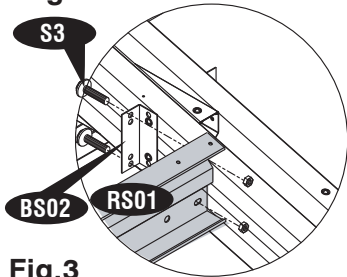
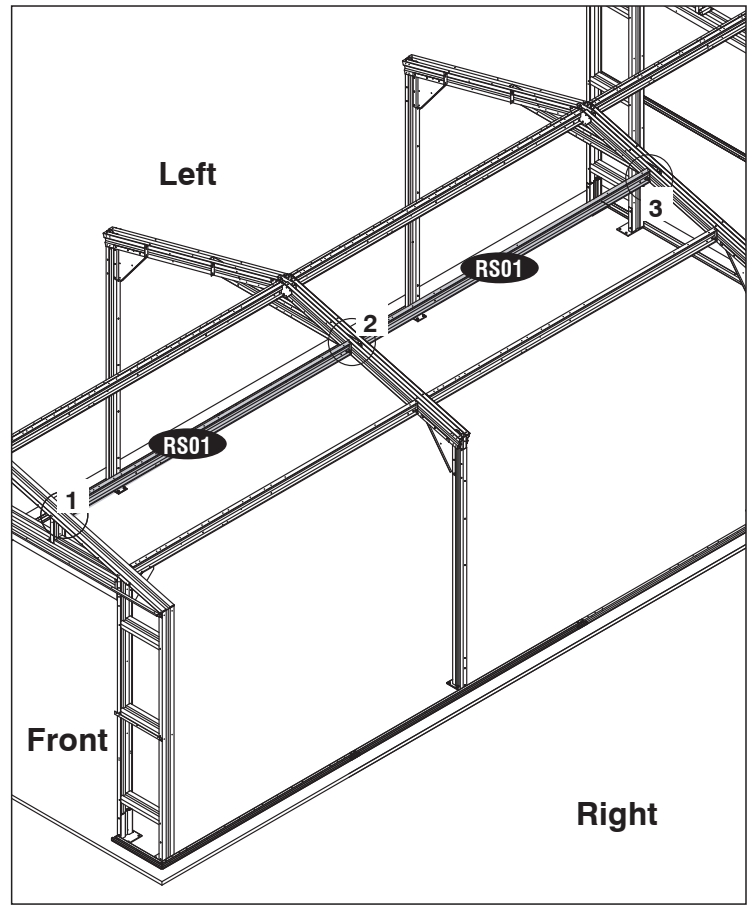


Fig.3



Step - 7

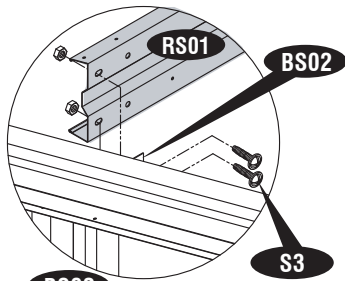


Fig.1

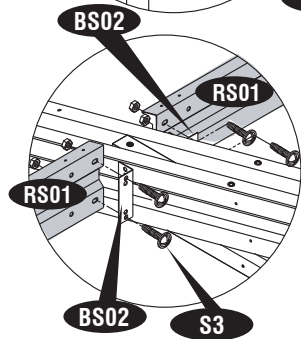


Fig.2

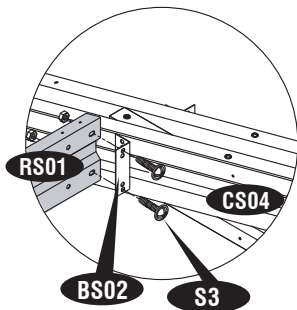
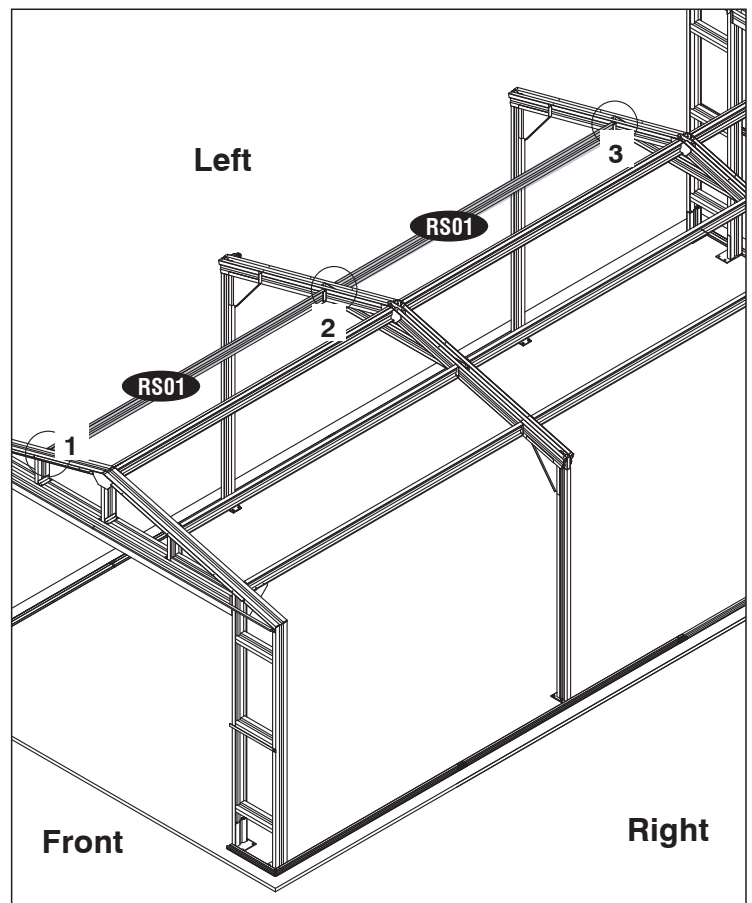
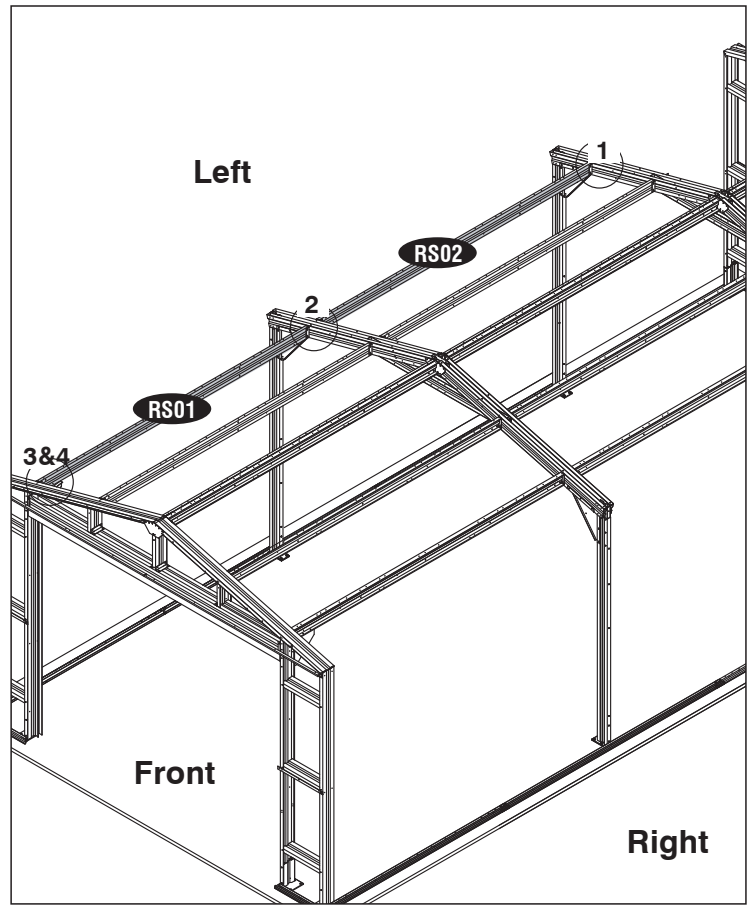
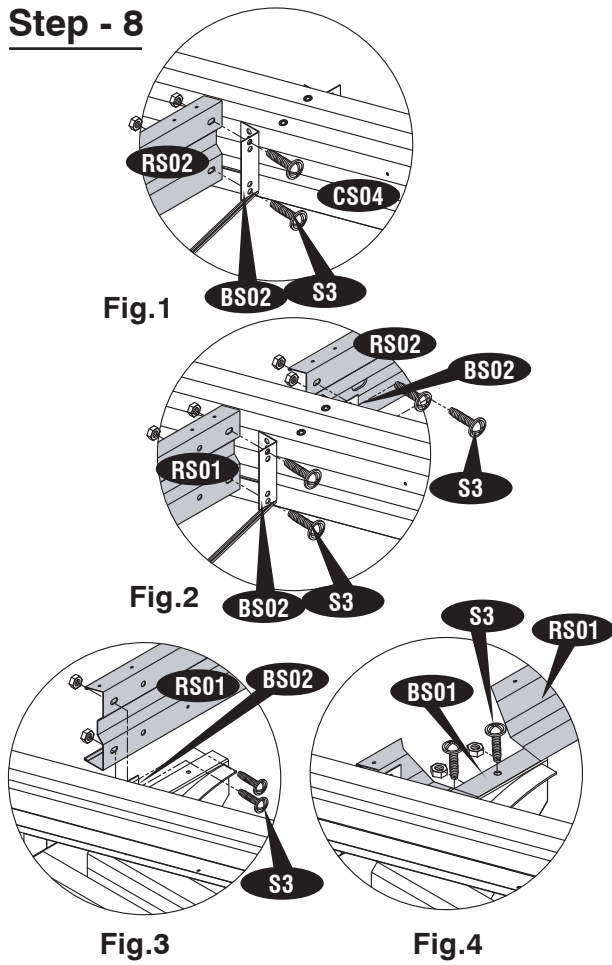


Fig.3

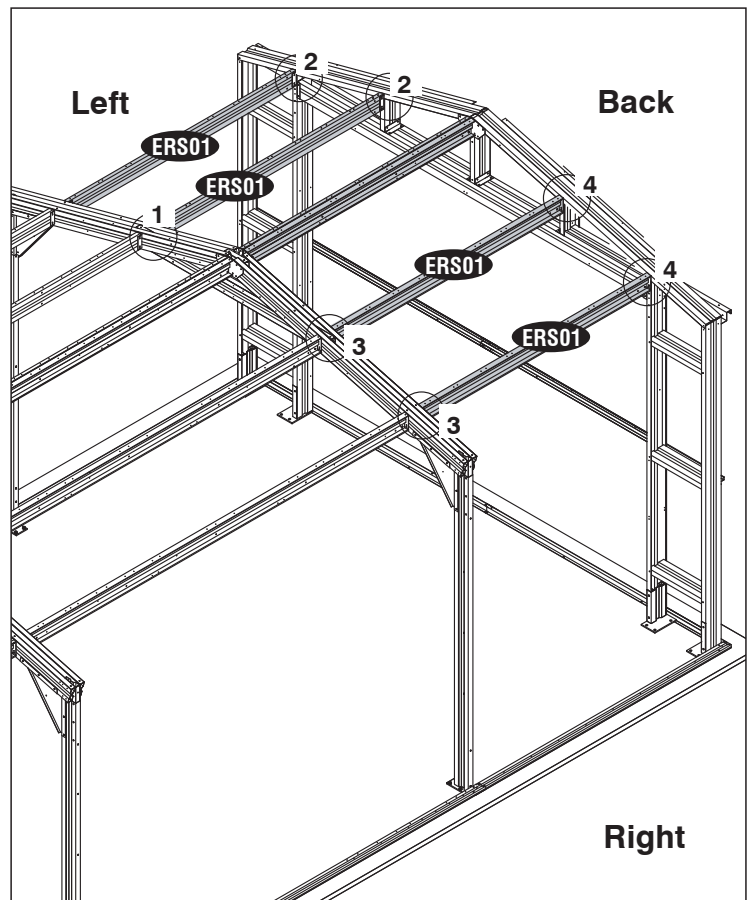
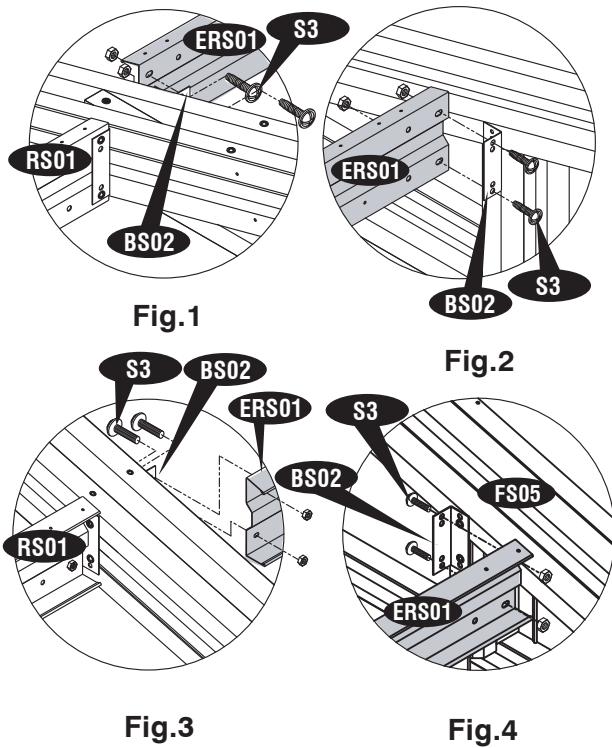


IMPORTANT: USE HAND GLOVES TO PREVENT INJURY.

Step - 8



Step -9



Step - 10

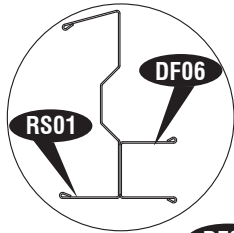


Fig.1

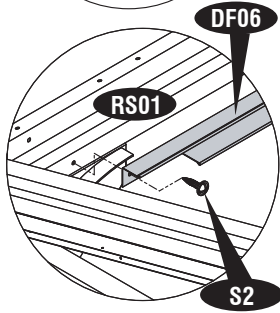


Fig.2

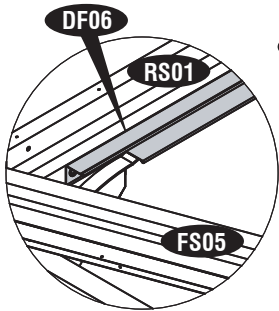
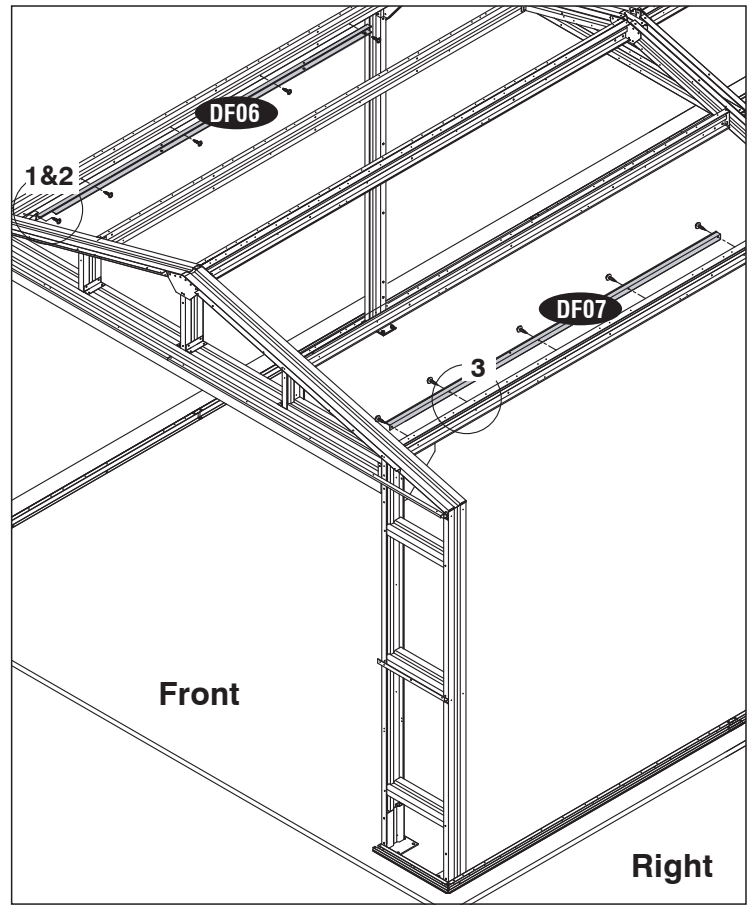
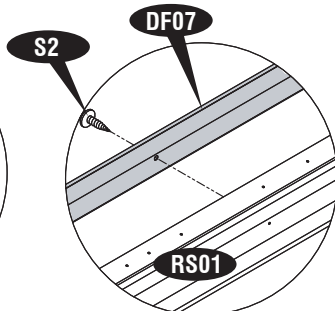


Fig.3



Step - 11

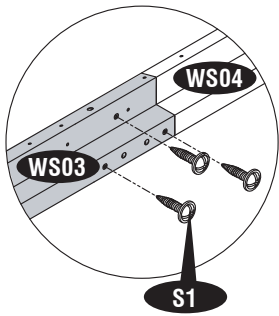


Fig.1

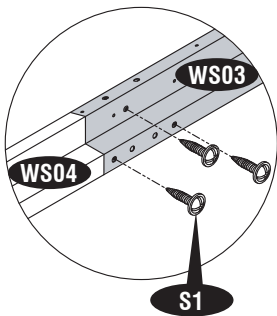


Fig.2

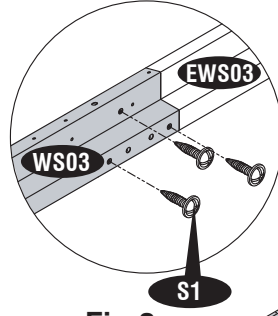
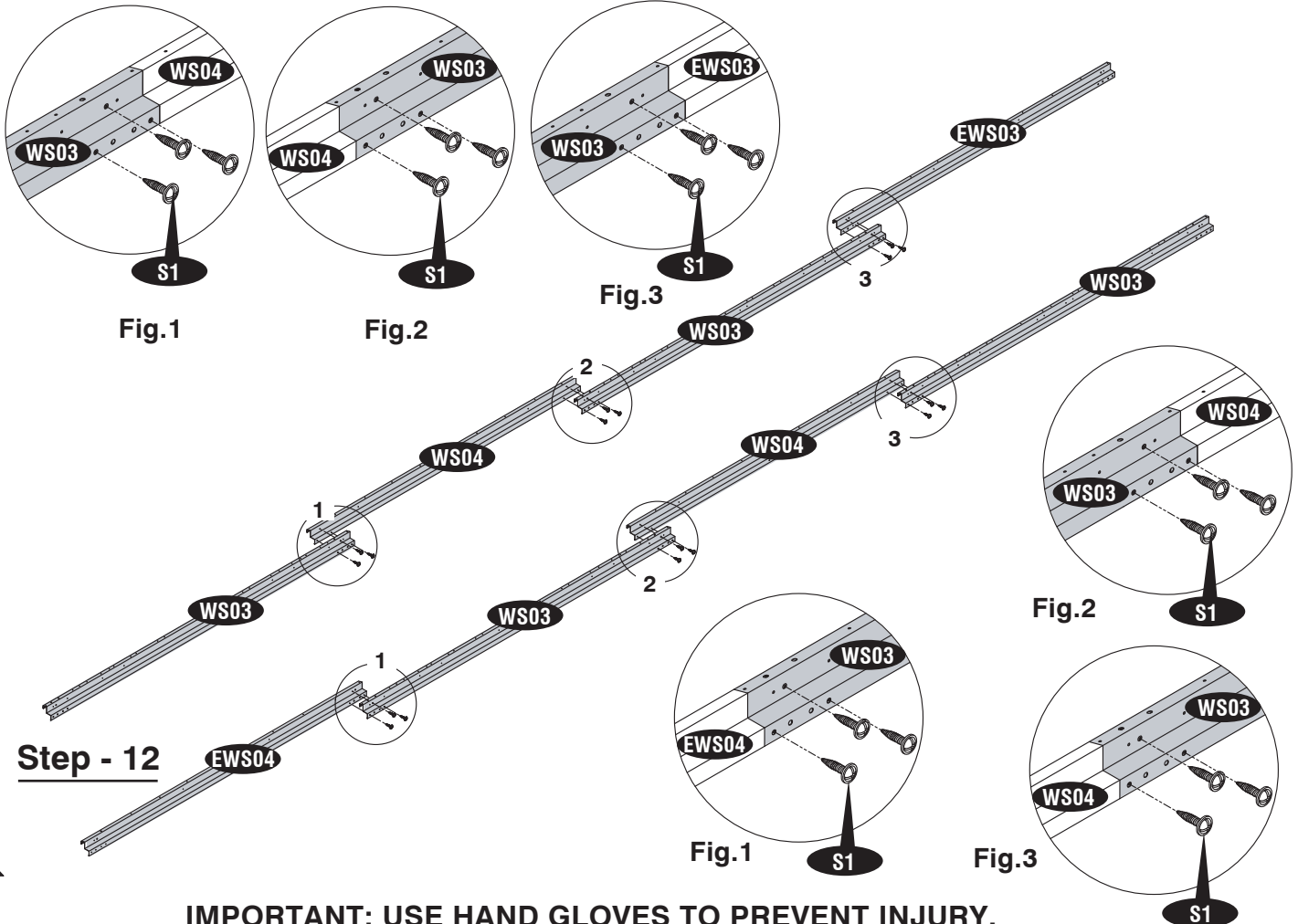


Fig.3



Step - 12

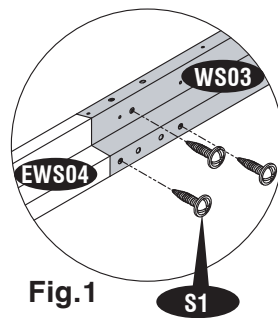


Fig.1

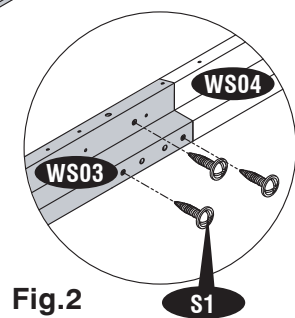


Fig.2

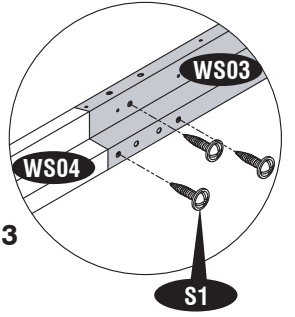


Fig.3

IMPORTANT: USE HAND GLOVES TO PREVENT INJURY.

Step - 13

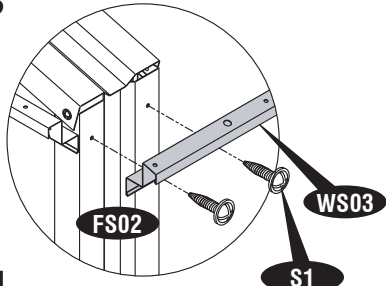


Fig.1

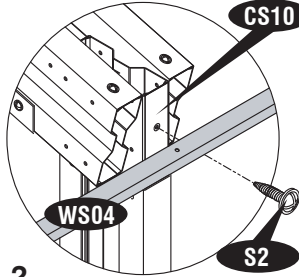


Fig.2

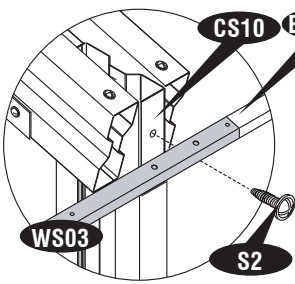


Fig.3

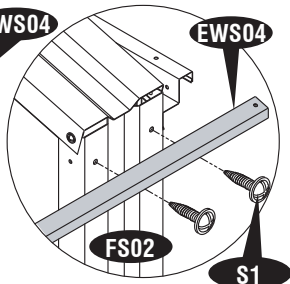
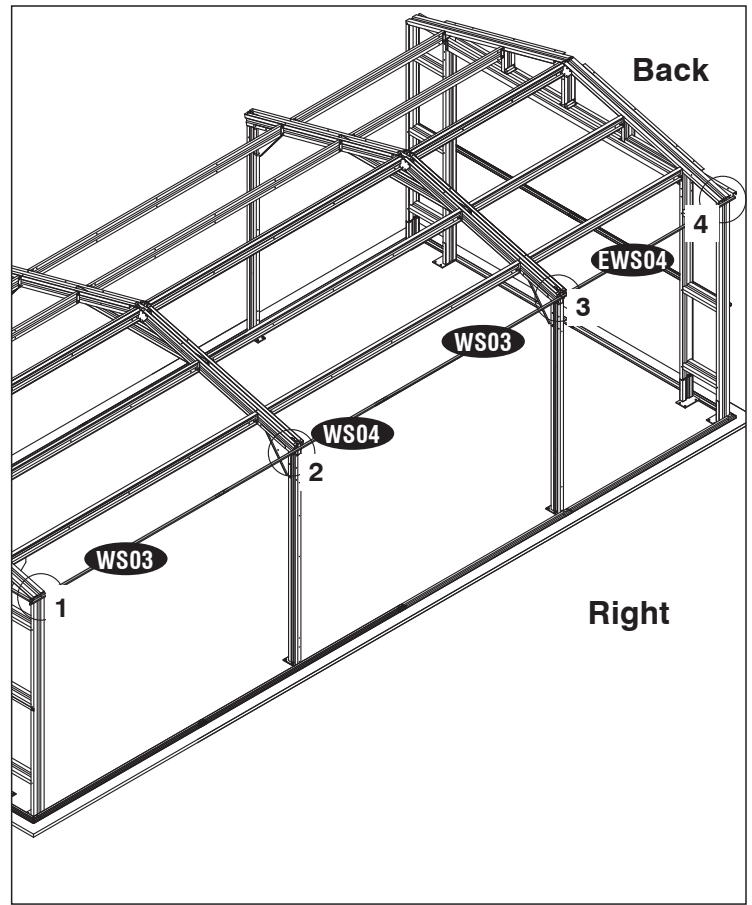


Fig.4



Step - 14

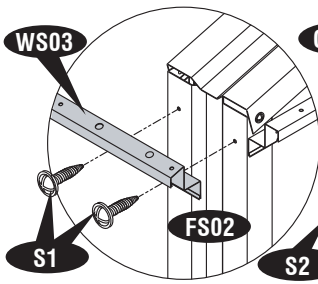


Fig.1

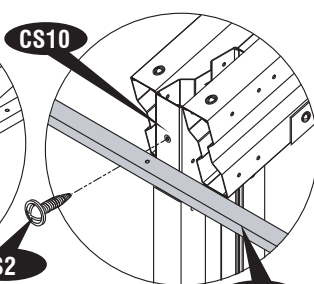


Fig.2

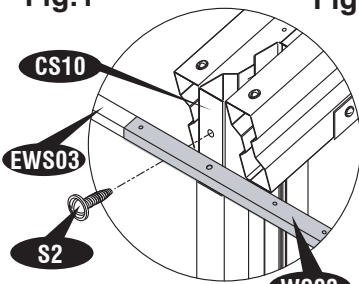


Fig.3

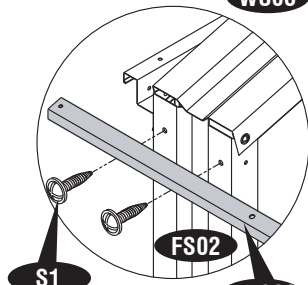
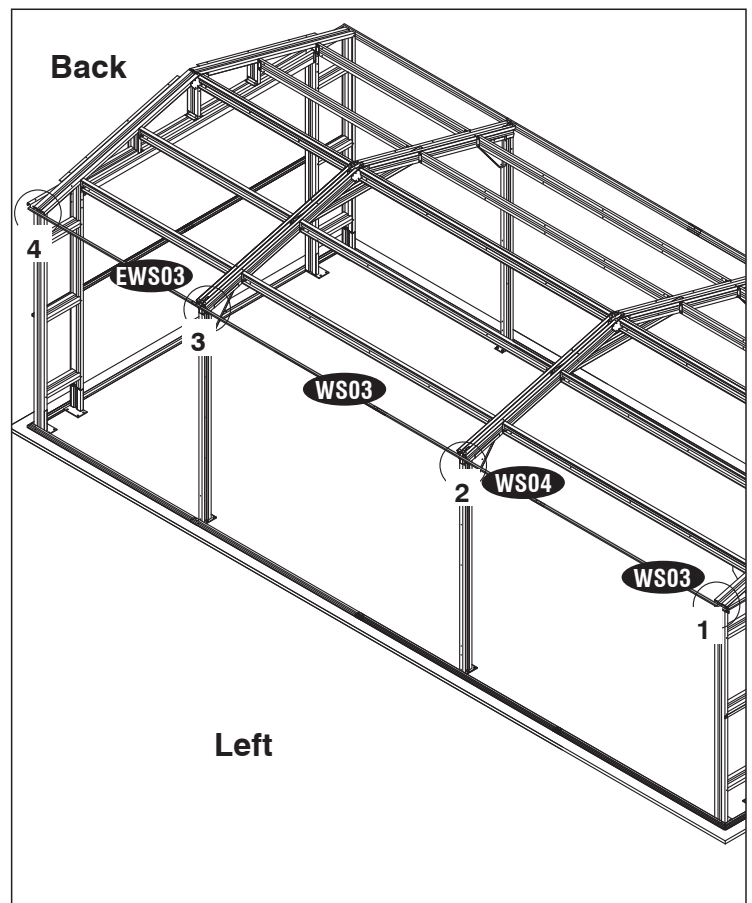


Fig.4



IMPORTANT: USE HAND GLOVES TO PREVENT INJURY.

Step - 15

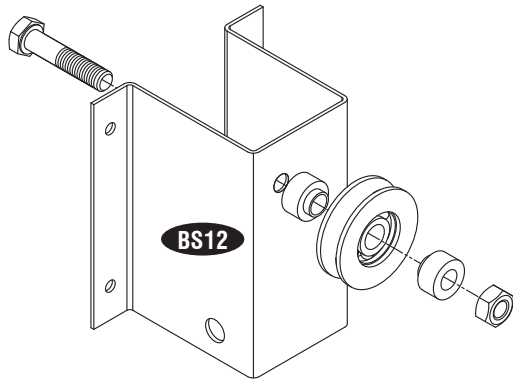


Fig.1

Step - 16

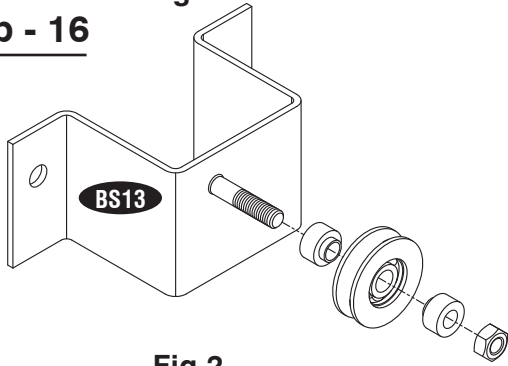
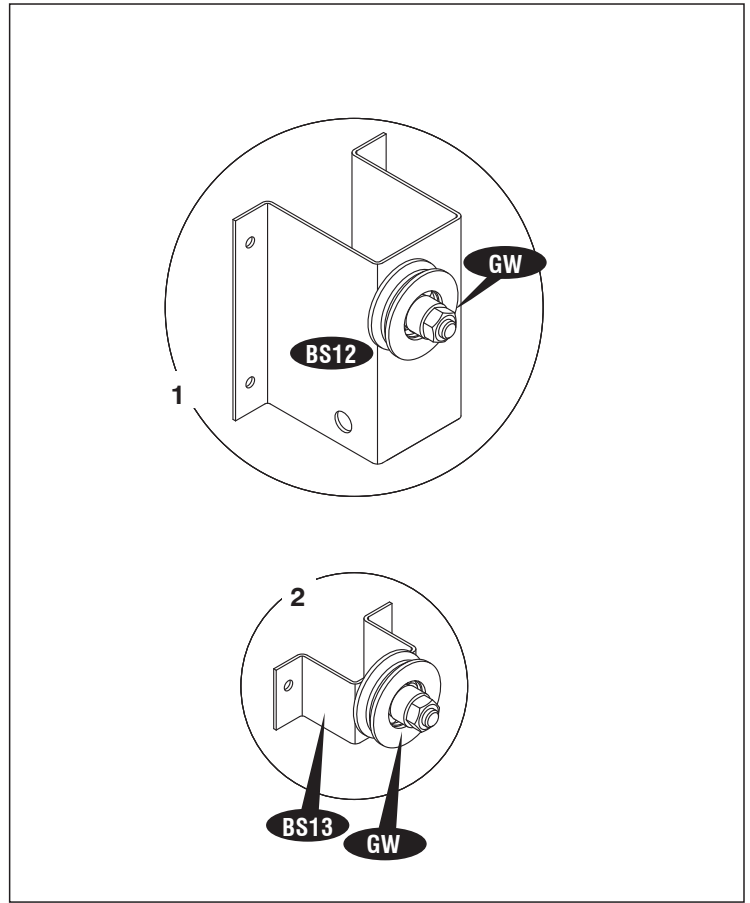


Fig.2



Step - 17

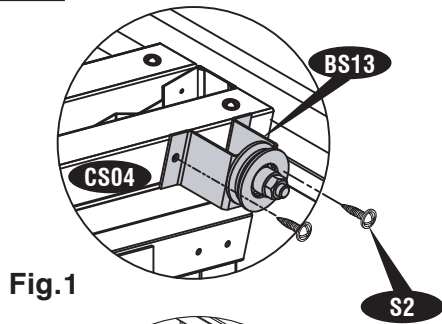


Fig.1

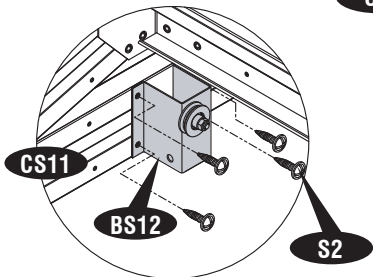


Fig.2

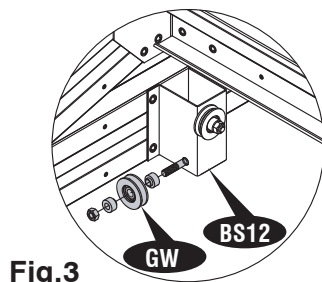
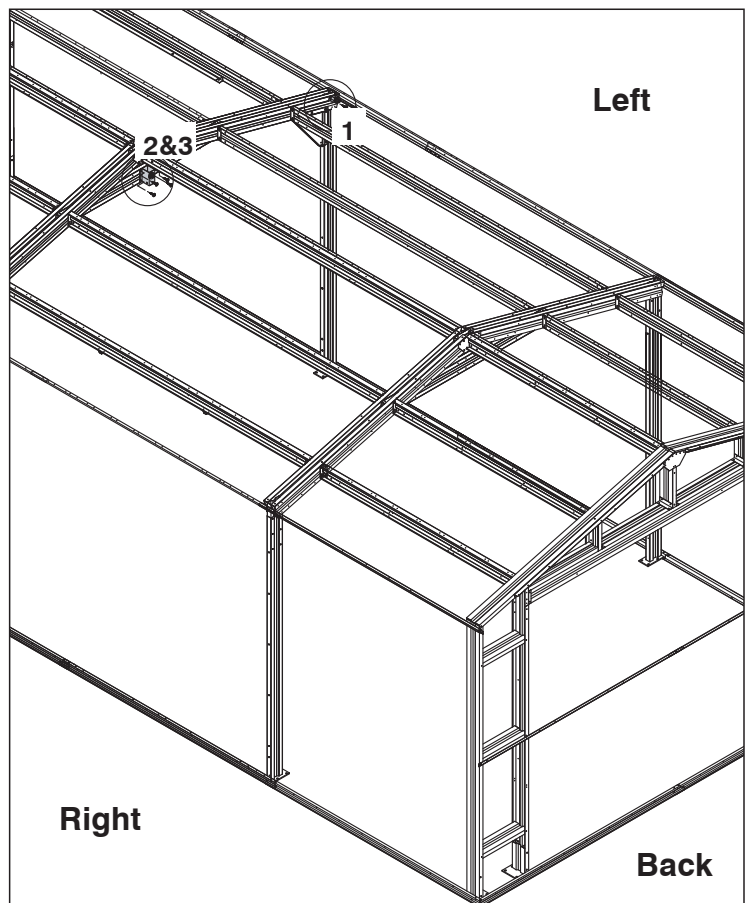


Fig.3



IMPORTANT: USE HAND GLOVES TO PREVENT INJURY.

E. Wall Panel Installation and Accessories

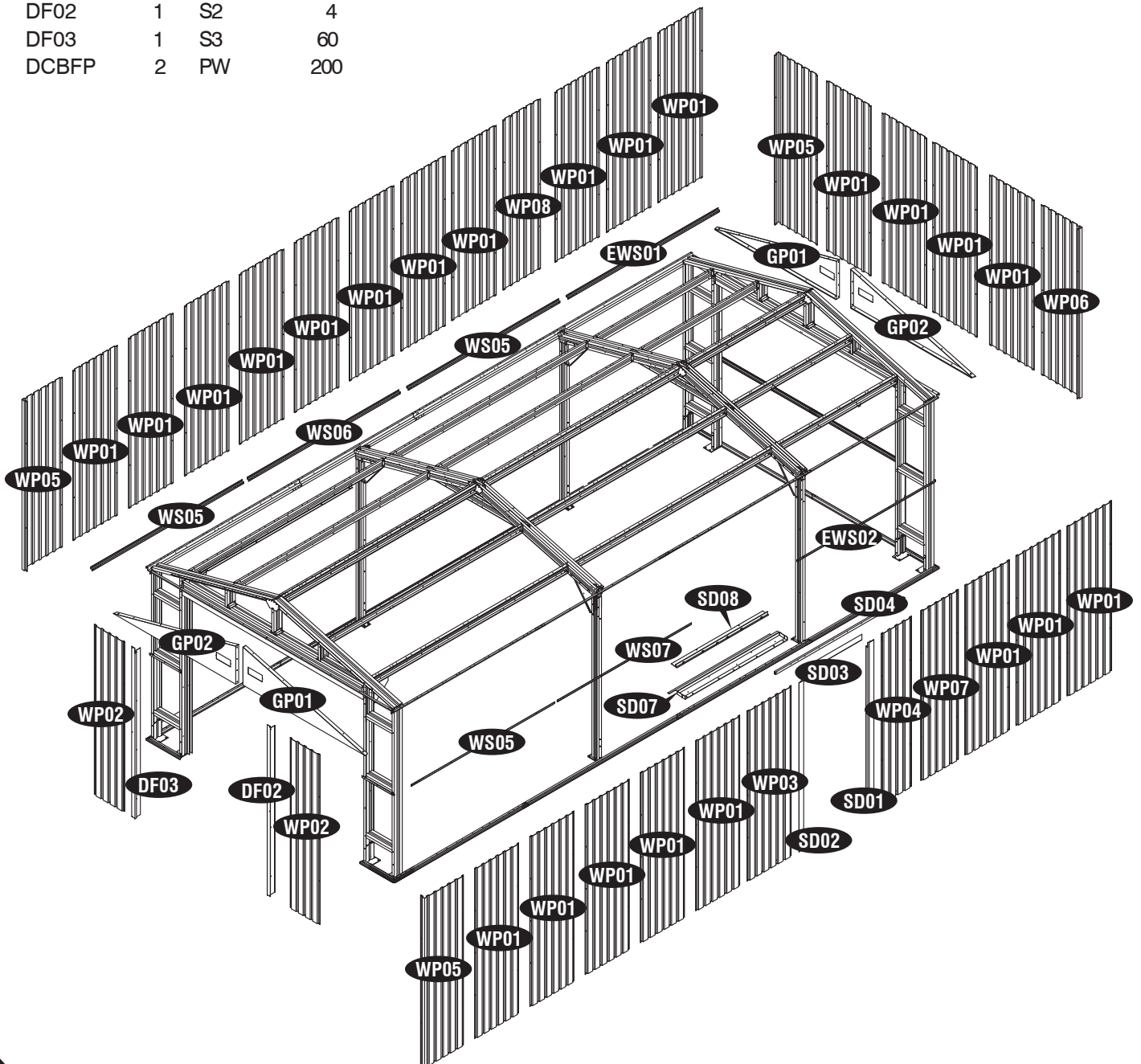
Parts Needed:

Code	Qty	Code	Qty
WP01	17	SD01	1
WP02	2	SD02	1
WP03	1	SD03	1
WP04	1	SD04	1
WP05	3	SD07	1
WP06	1	SD08	1
WP07	1	WS05	3
WP08	1	WS06	1
GP01	2	WS07	1
GP02	2	S1	212
DF02	1	S2	4
DF03	1	S3	60
DCBFP	2	PW	200

Parts Needed for each extension:

Code	Qty
WP01	6
EWS01	1
EWS02	1
S1	31
S2	2
S3	12
PW	42

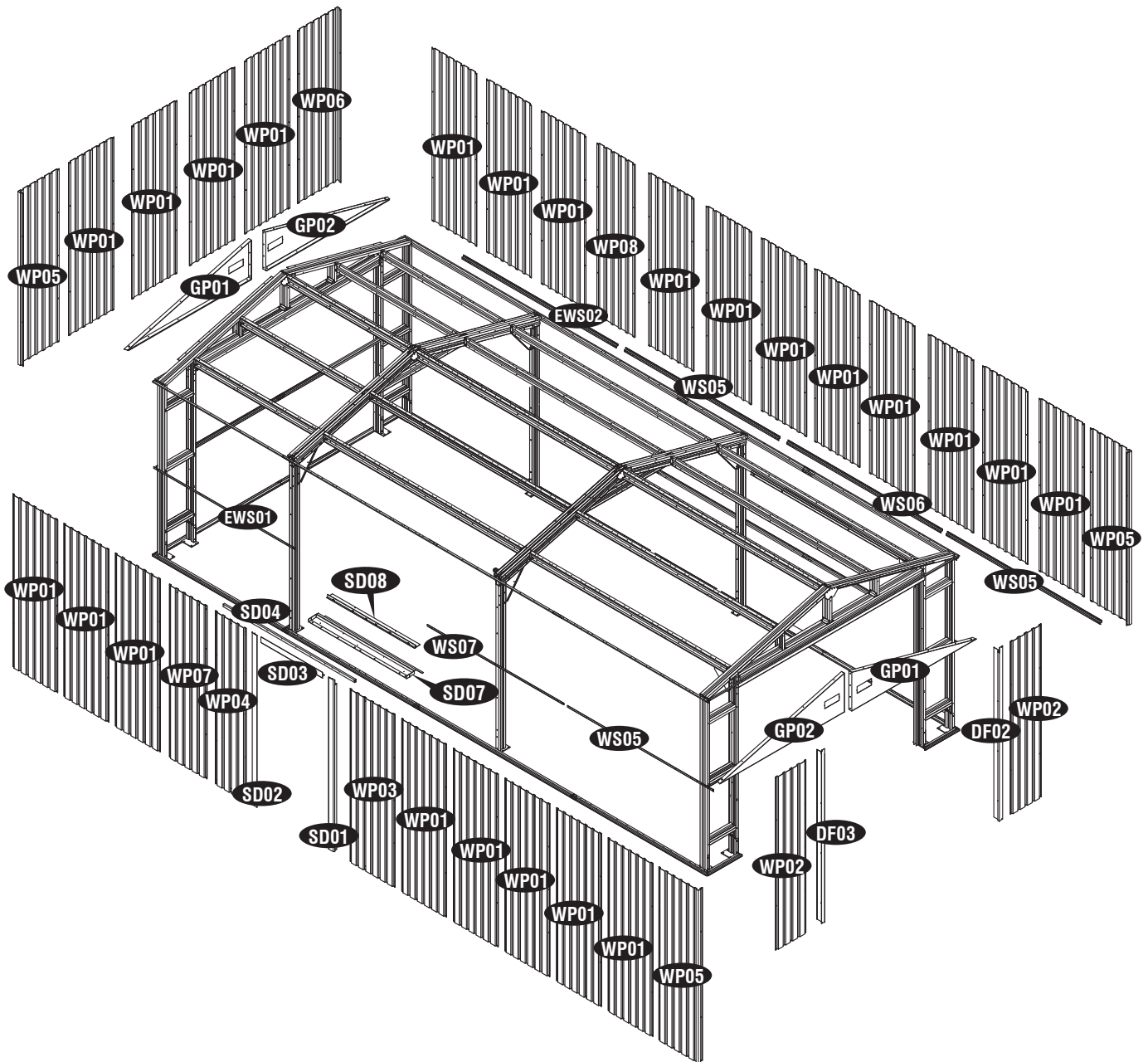
Exploded View Side Door Right Side



Exploded View Side Door Left Side

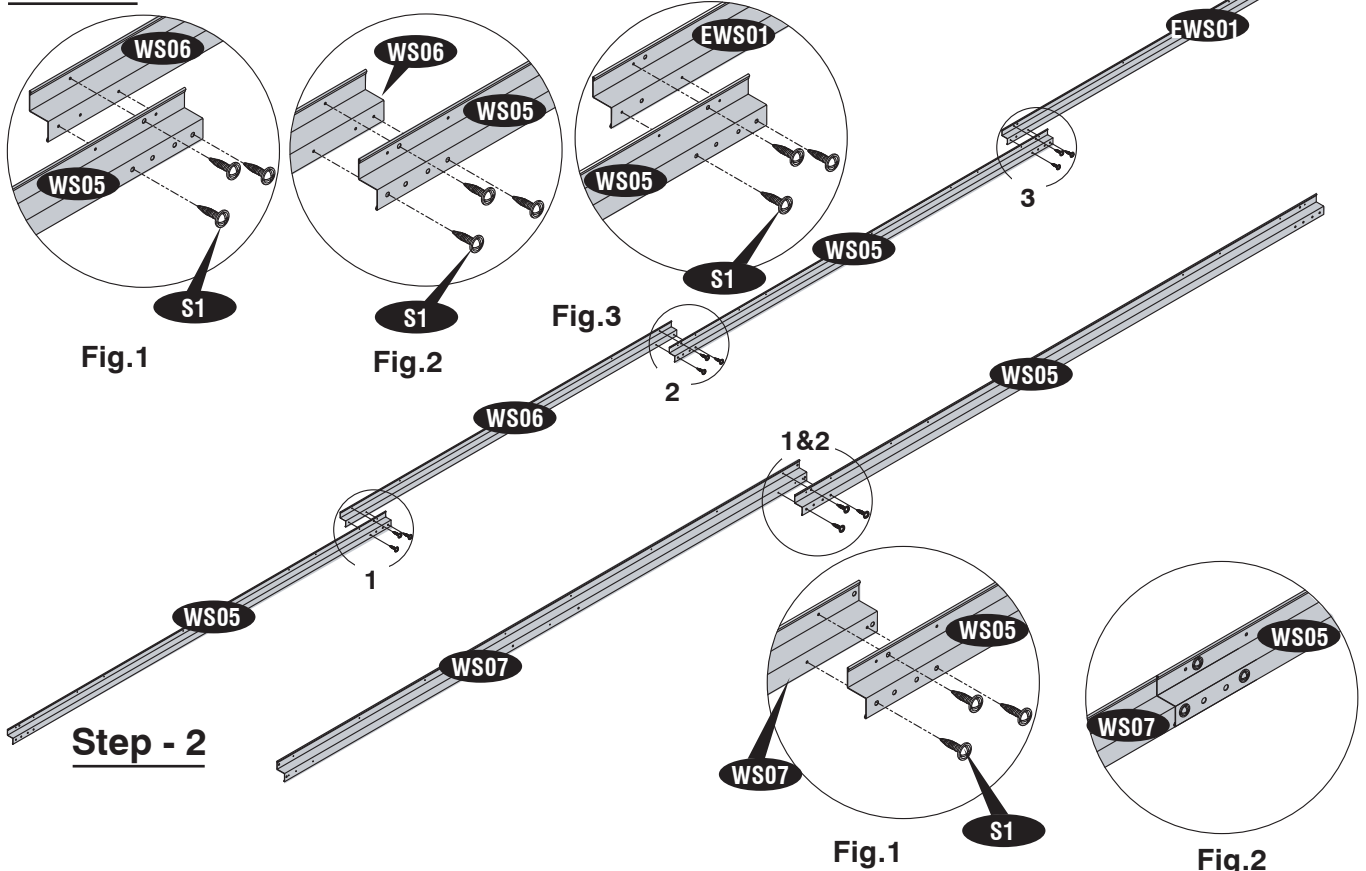
IMPORTANT

Follow the Diagram to assemble the side door on Left Side.



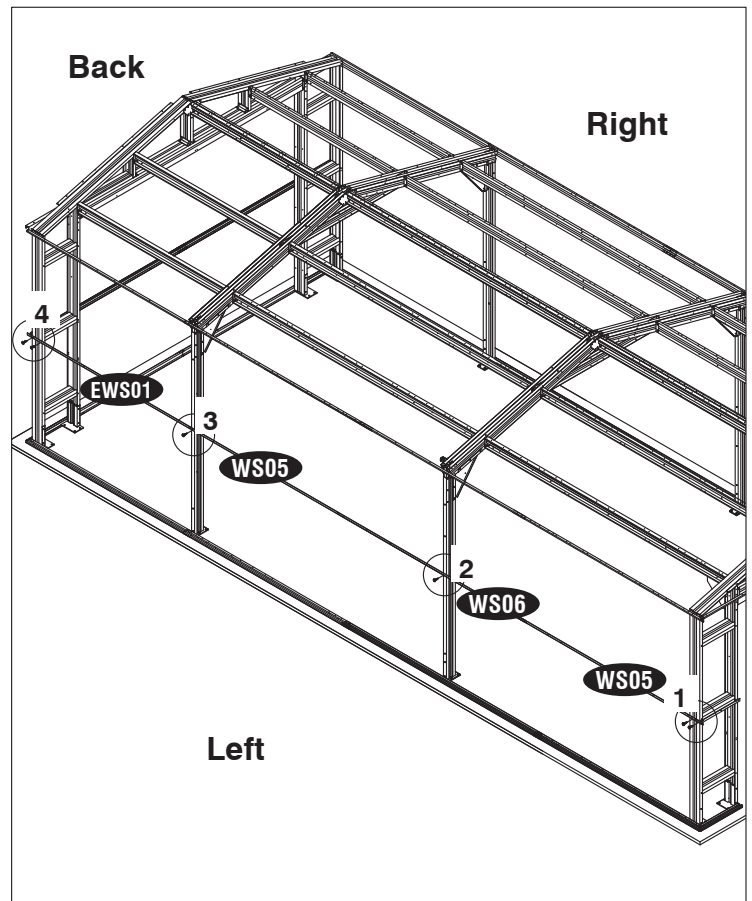
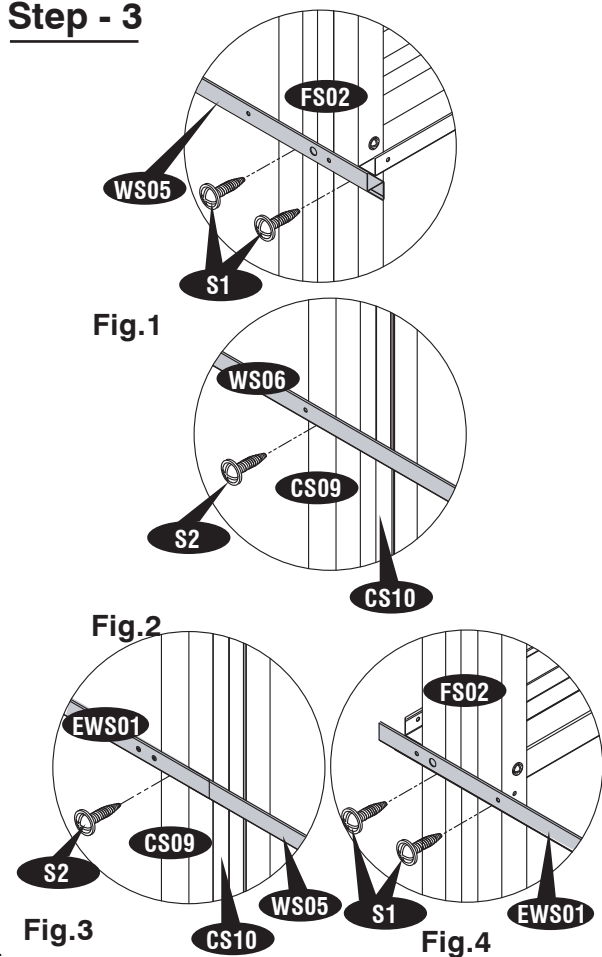
Assembly Steps for Side Door on Right Side

Step - 1



Step - 2

Step - 3



IMPORTANT: USE HAND GLOVES TO PREVENT INJURY.

Step - 4

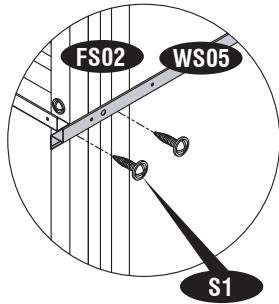


Fig.1

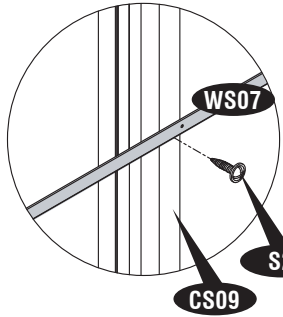


Fig.2

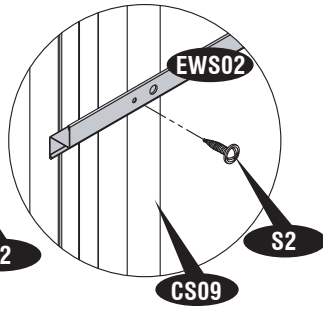
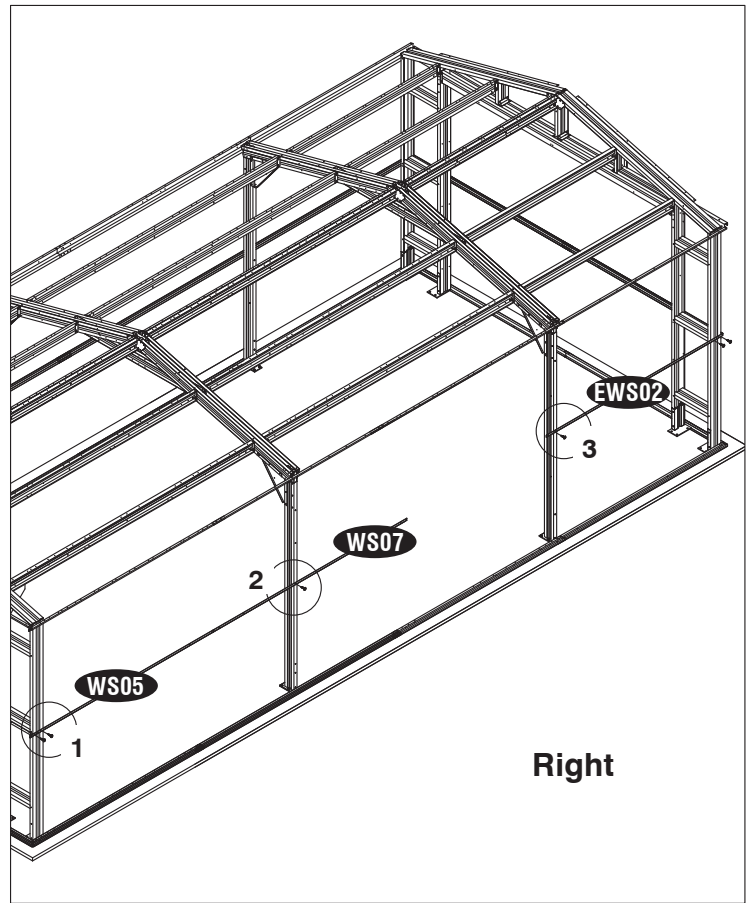
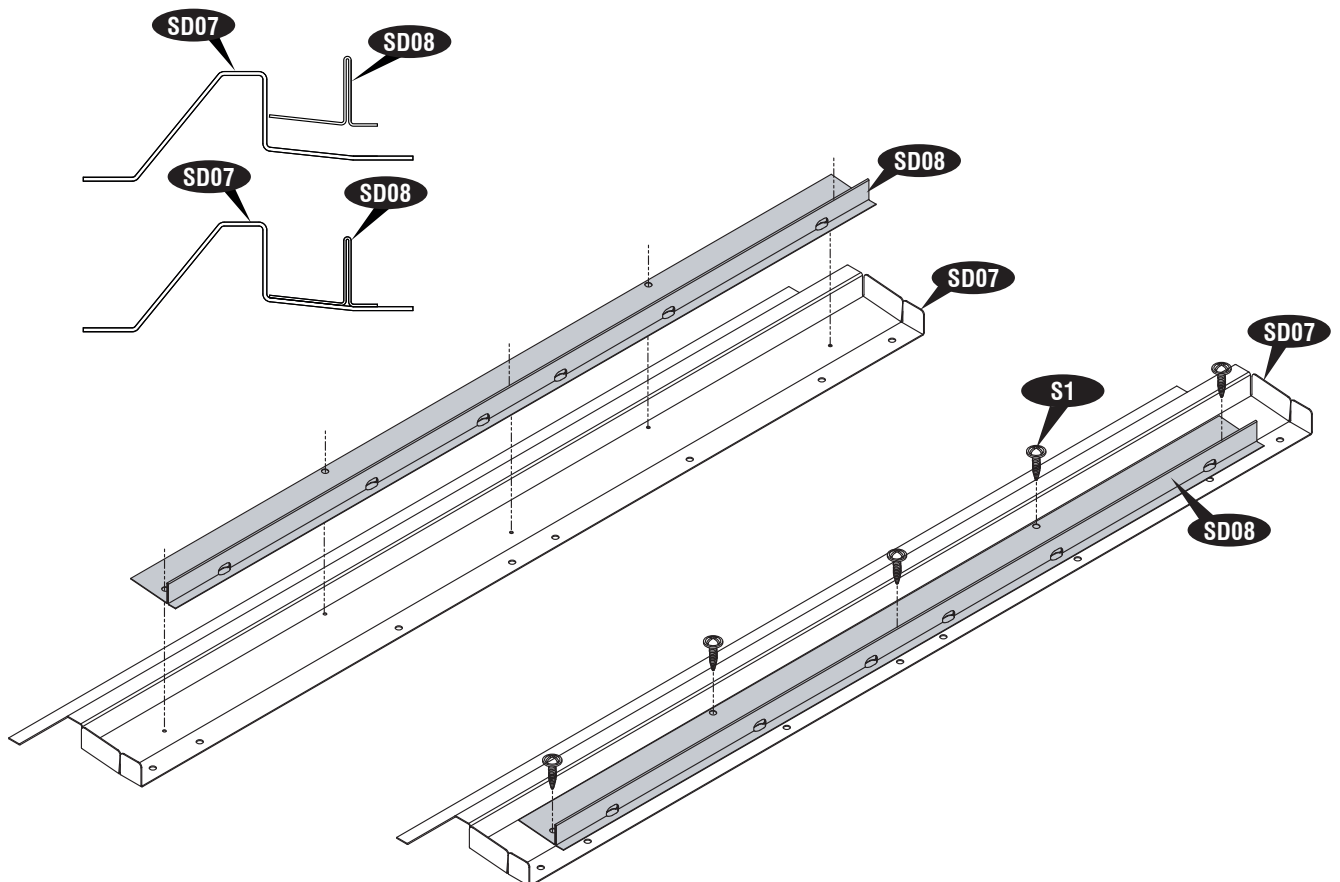


Fig.3

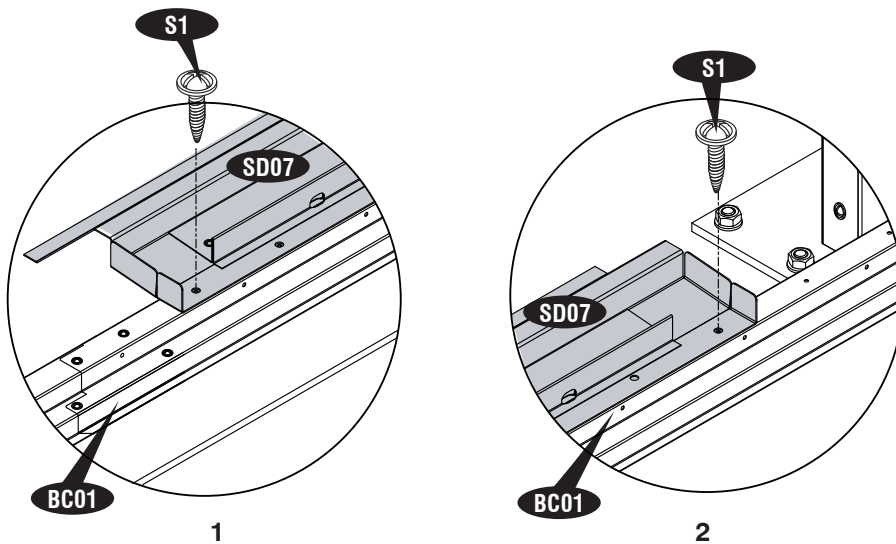
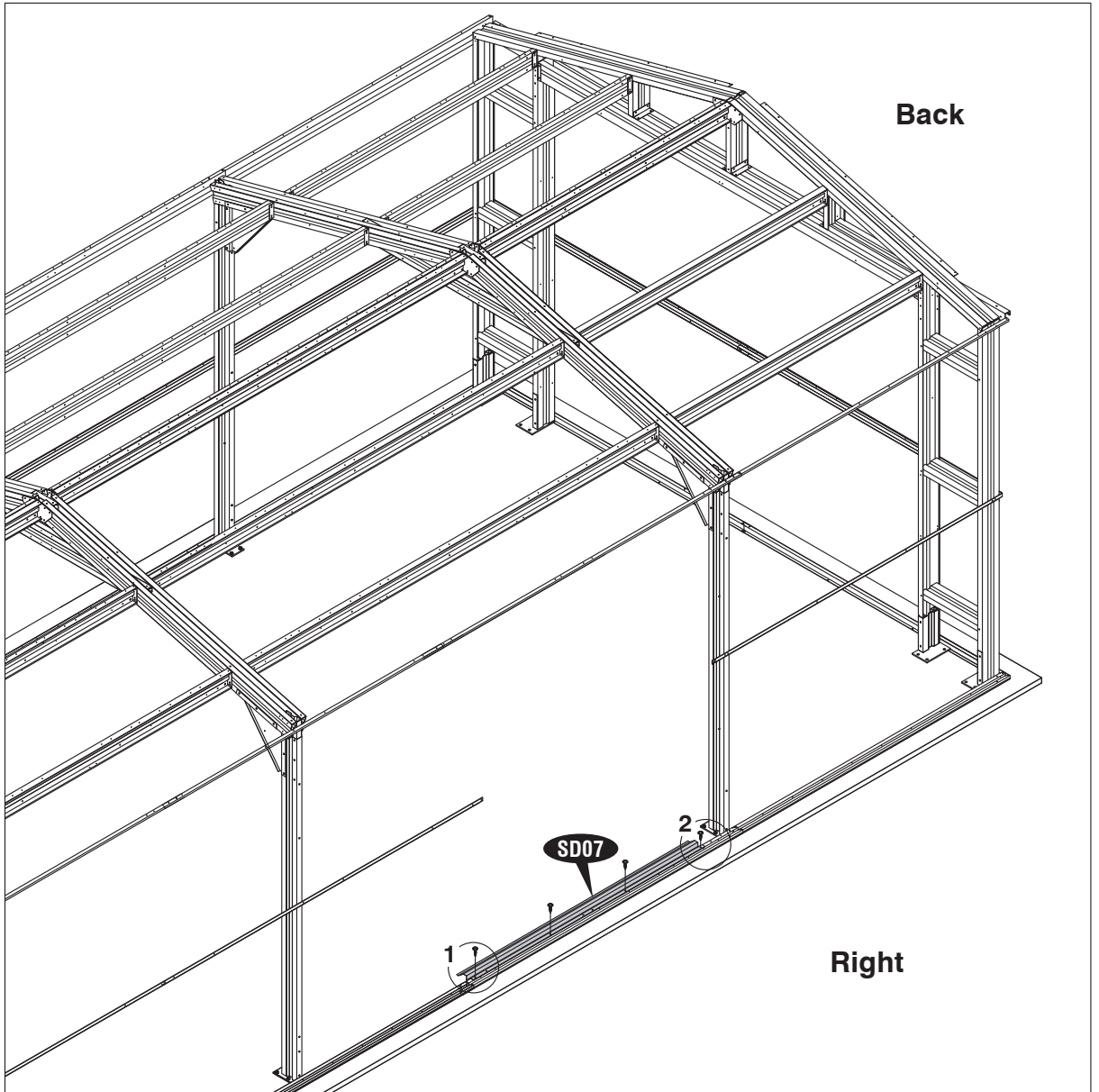


Step - 5



IMPORTANT: USE HAND GLOVES TO PREVENT INJURY.

Step - 6



IMPORTANT: USE HAND GLOVES TO PREVENT INJURY.

Step - 7

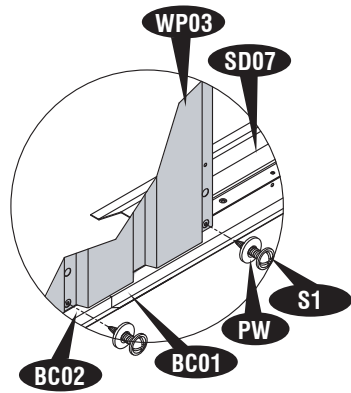


Fig.1

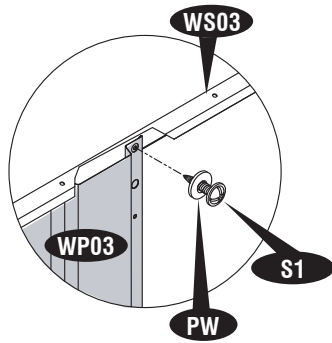
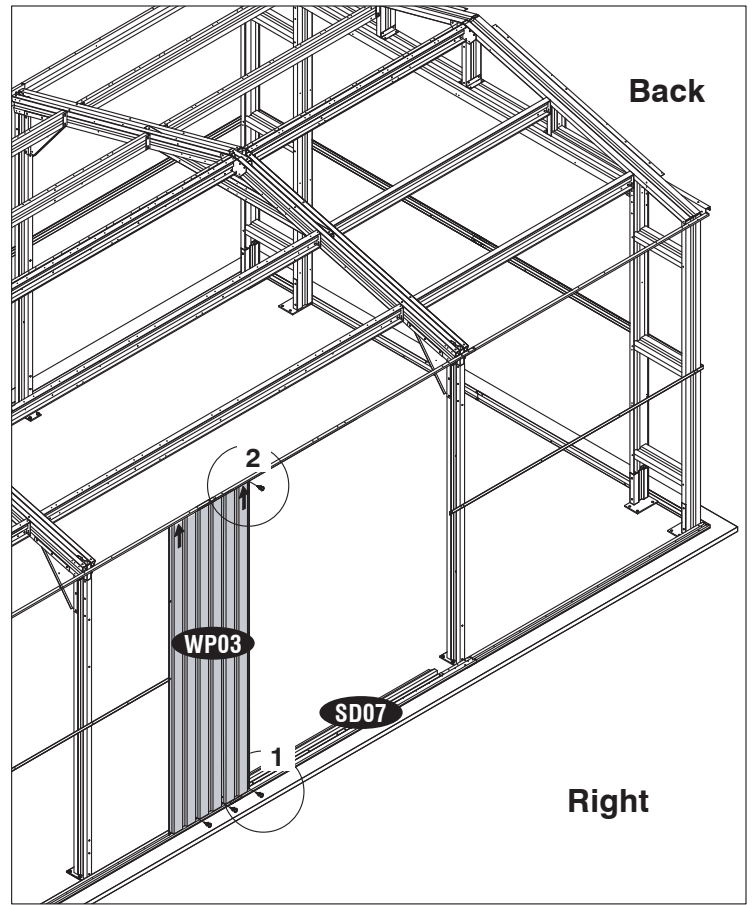


Fig.2



Step - 8

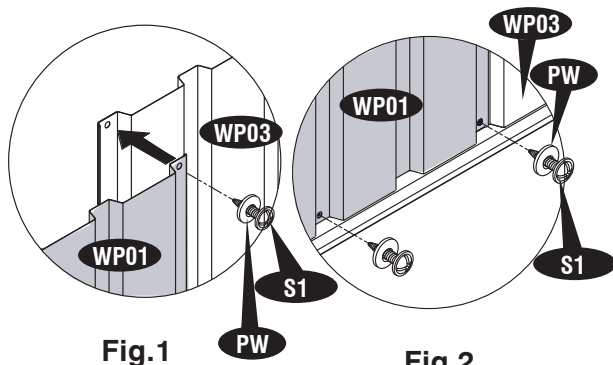


Fig.1

Fig.2

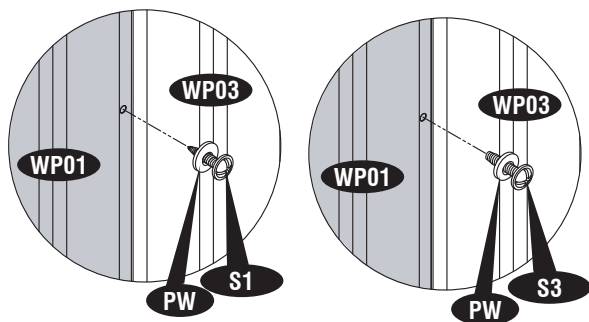
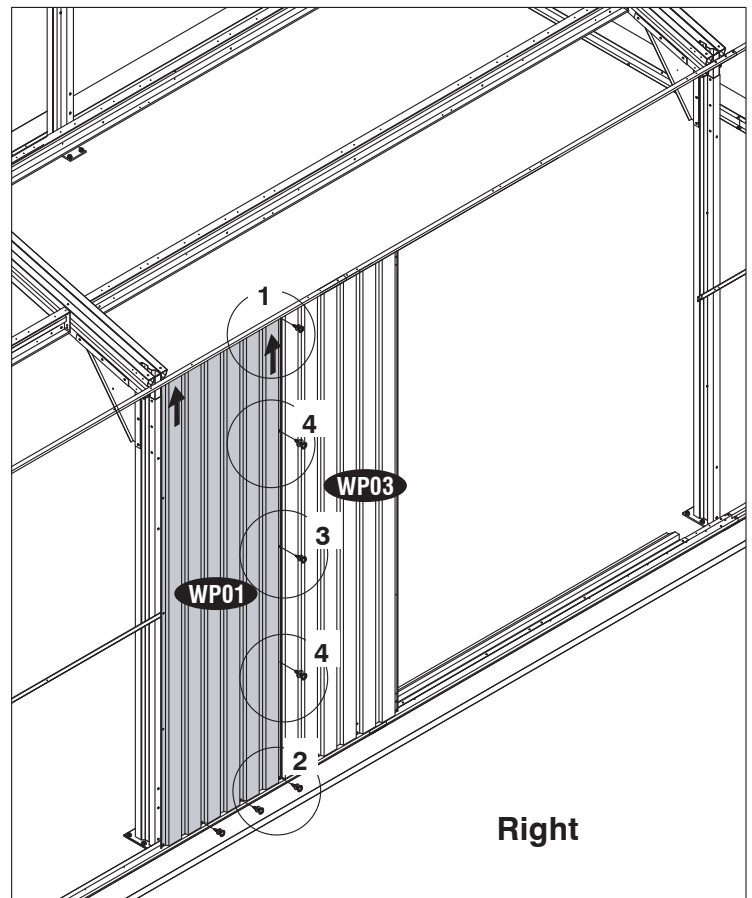


Fig.3

Fig.4



IMPORTANT: USE HAND GLOVES TO PREVENT INJURY.

Step - 9

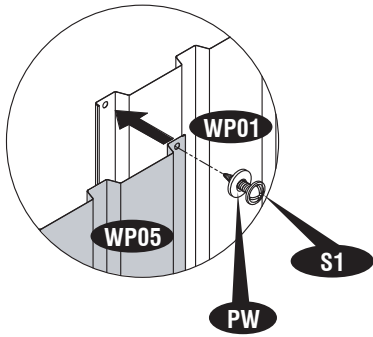


Fig.1

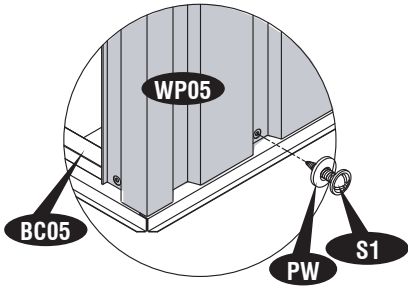
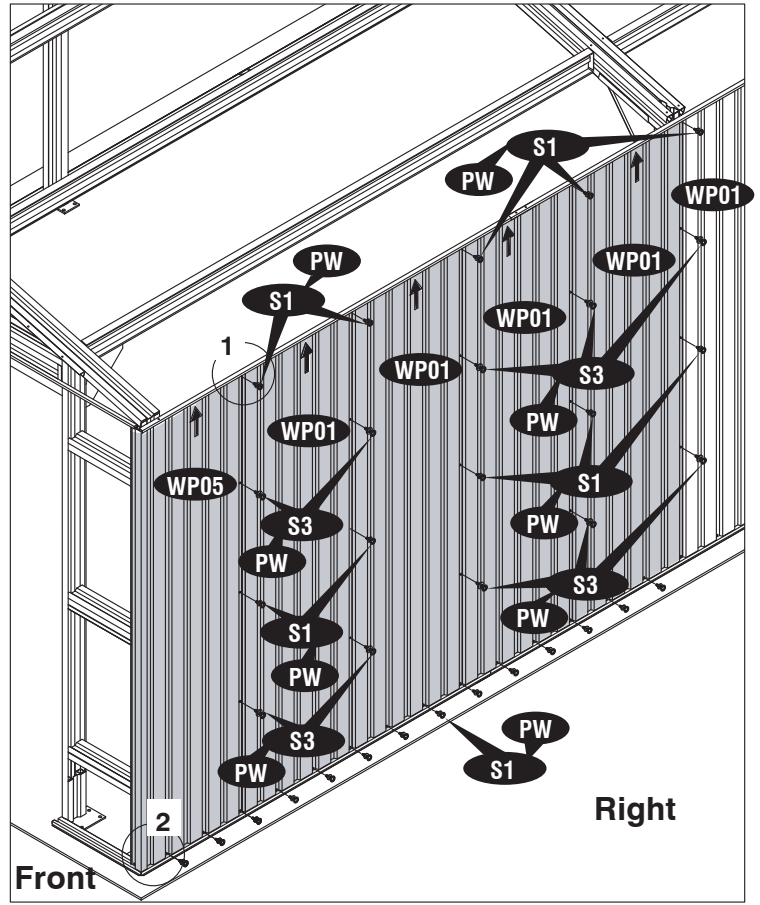


Fig.2



Step - 10

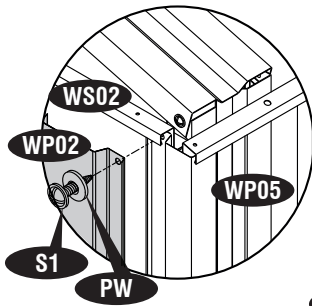


Fig.1

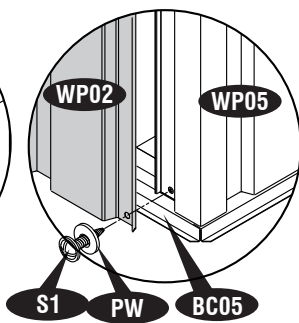


Fig.2

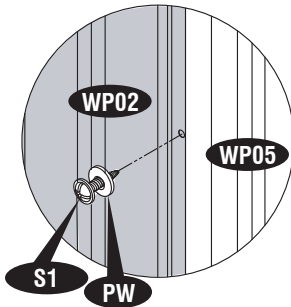


Fig.3

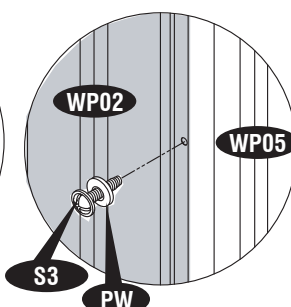
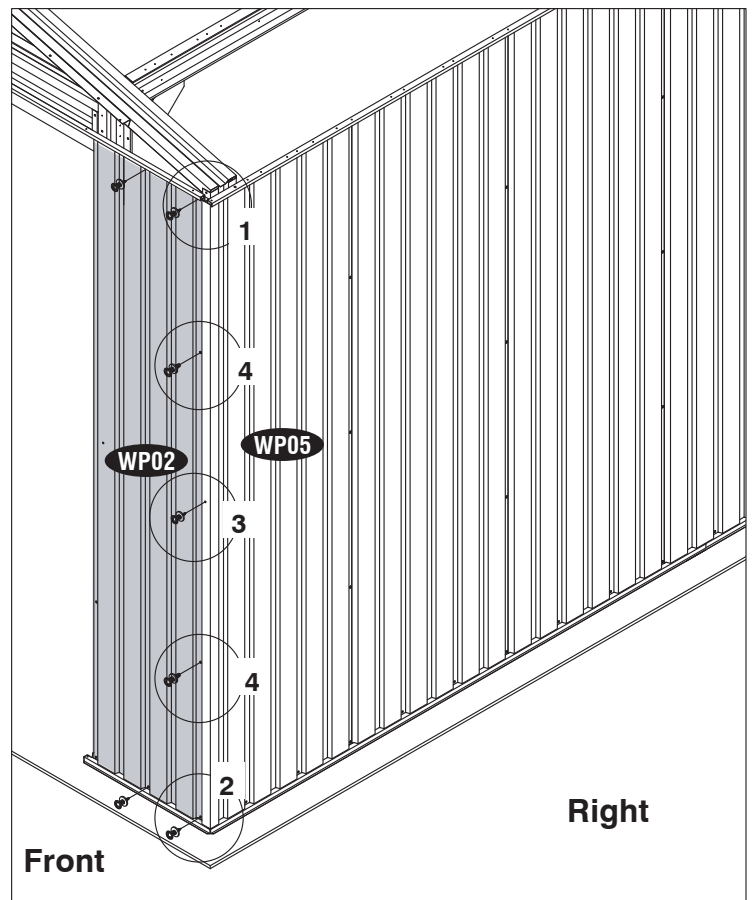
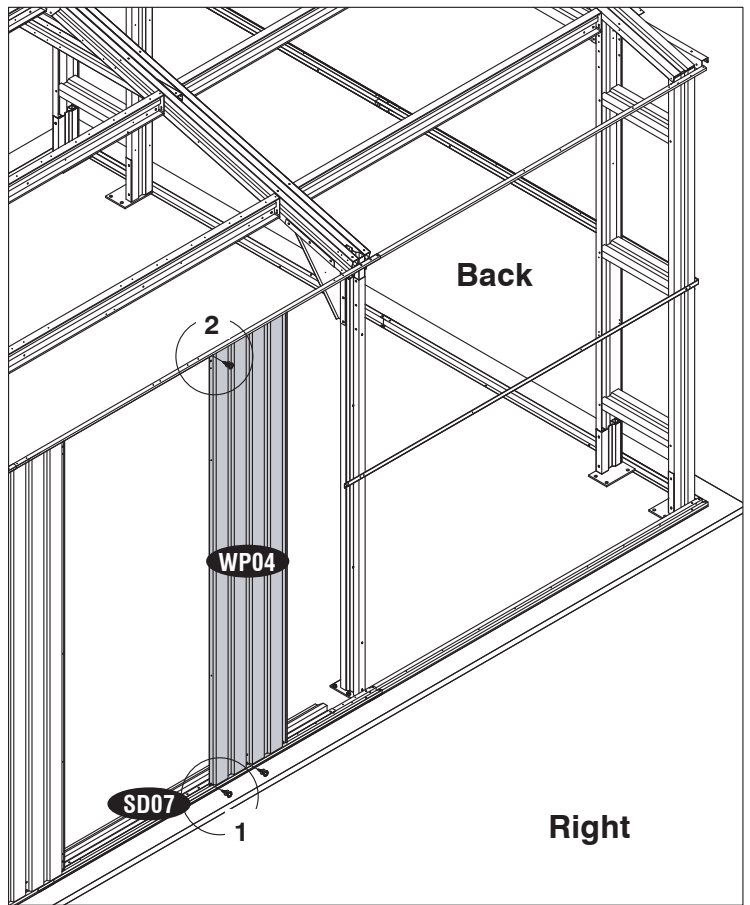
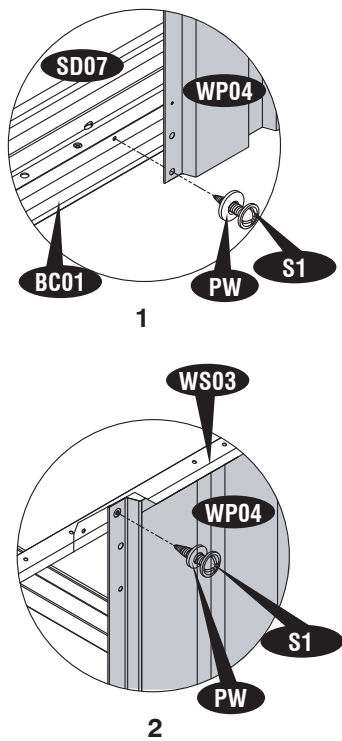


Fig.4

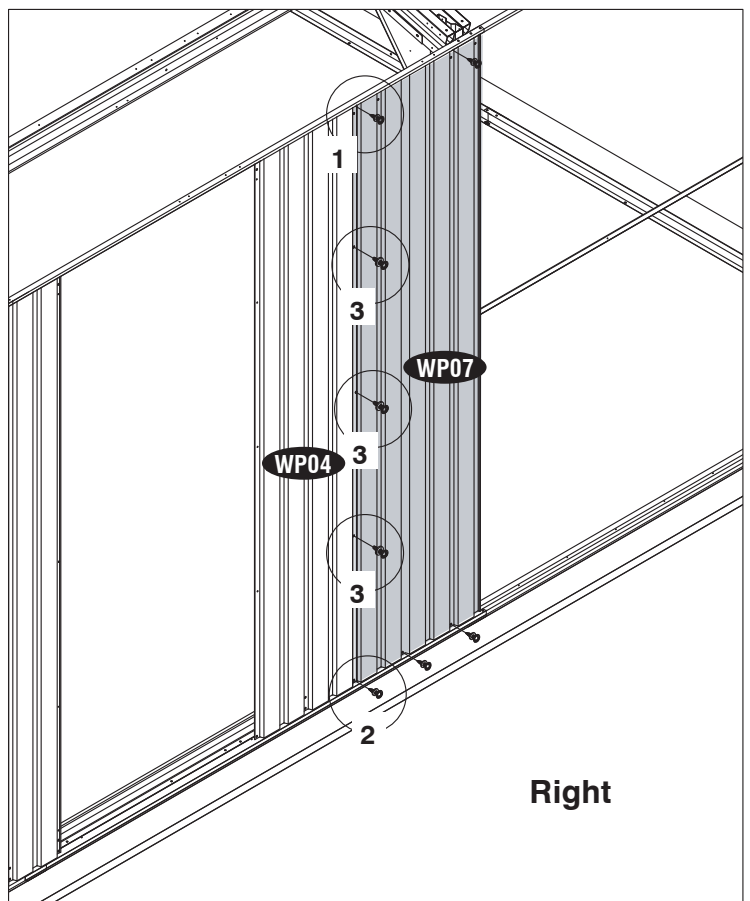
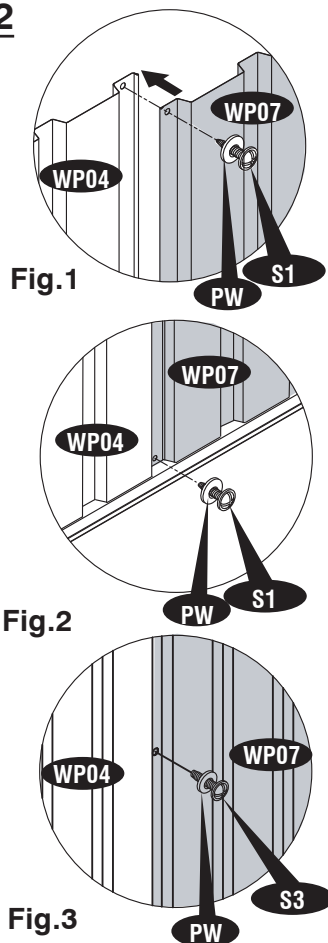


IMPORTANT: USE HAND GLOVES TO PREVENT INJURY.

Step - 11



Step - 12



Step - 13

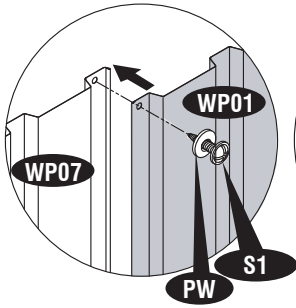


Fig.1

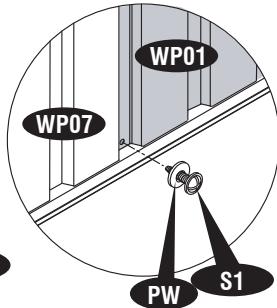


Fig.2

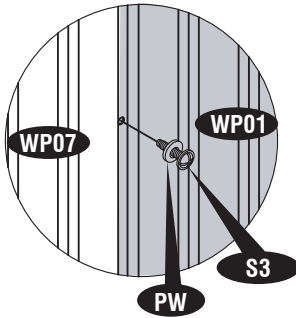


Fig.3

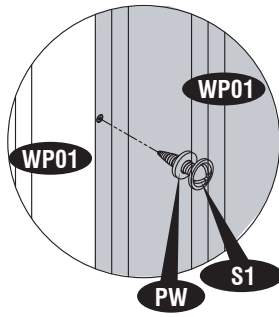
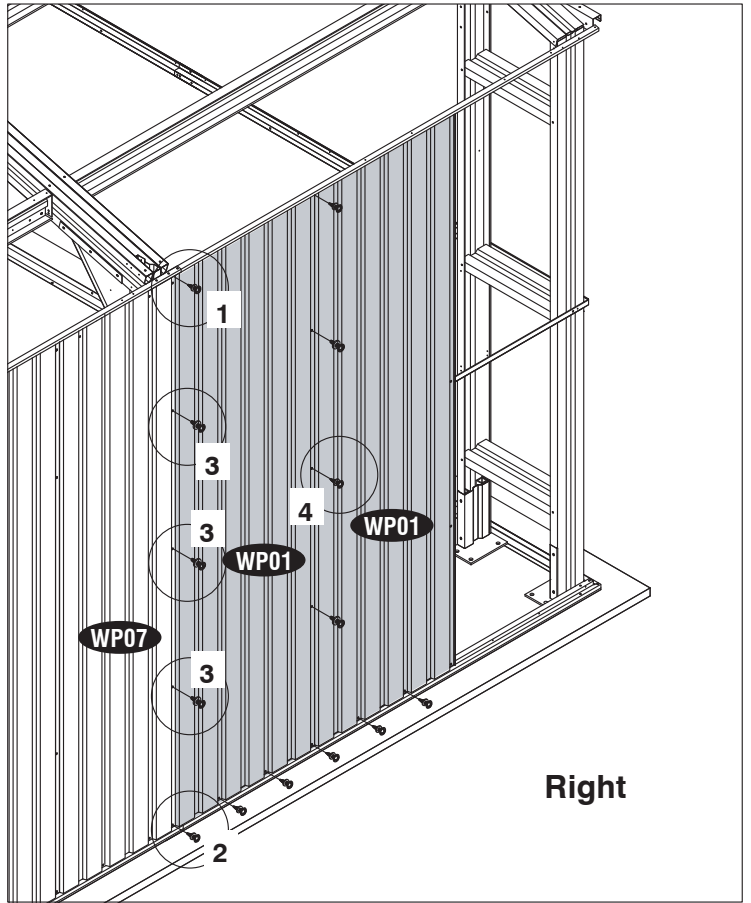


Fig.4



Right

Step - 14

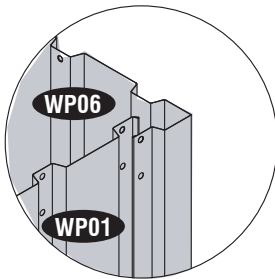


Fig.1

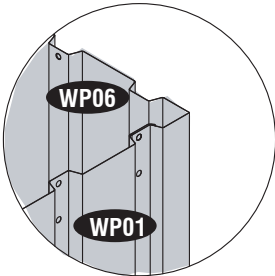
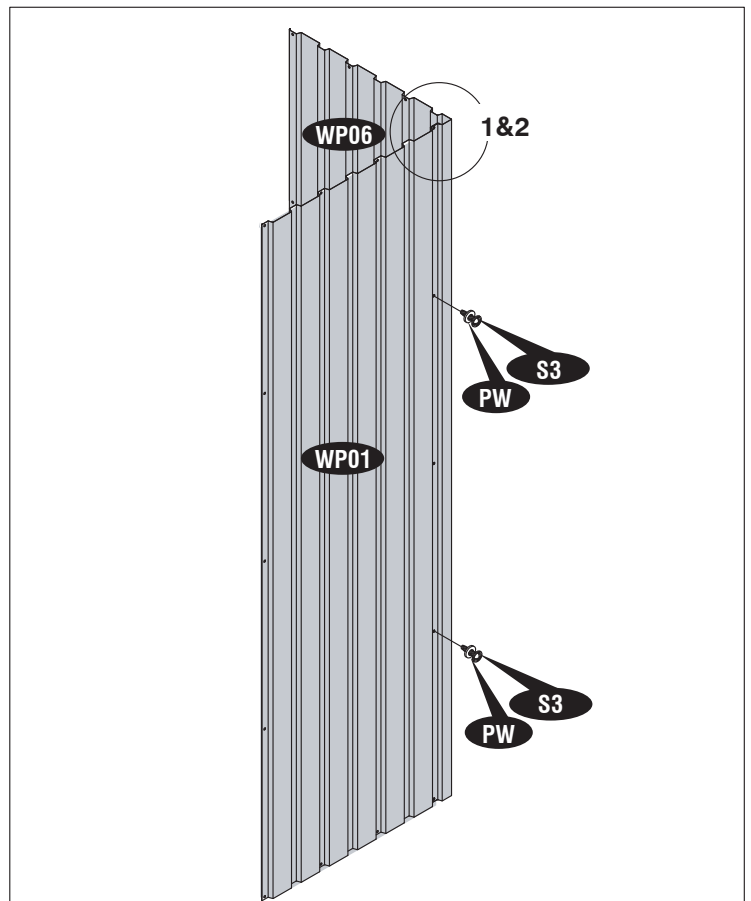


Fig.2



IMPORTANT: USE HAND GLOVES TO PREVENT INJURY.

Step - 15

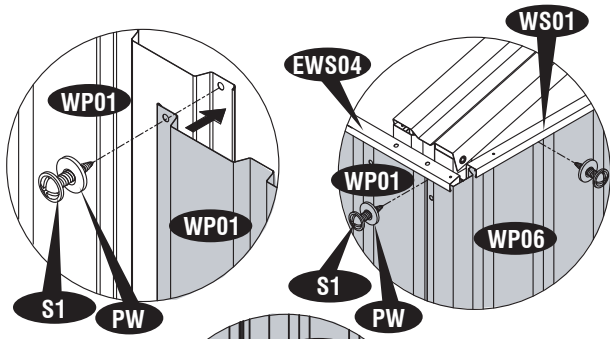


Fig.1

Fig.2

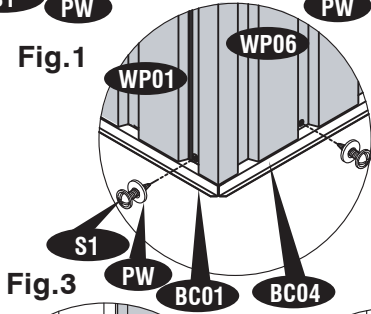


Fig.3

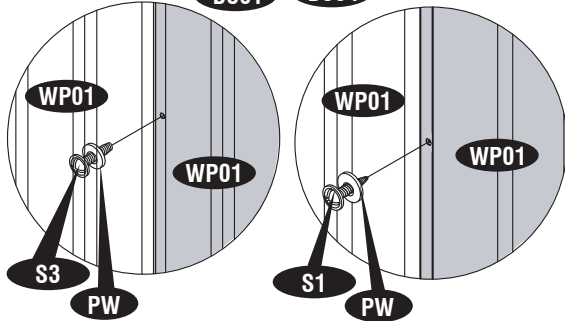
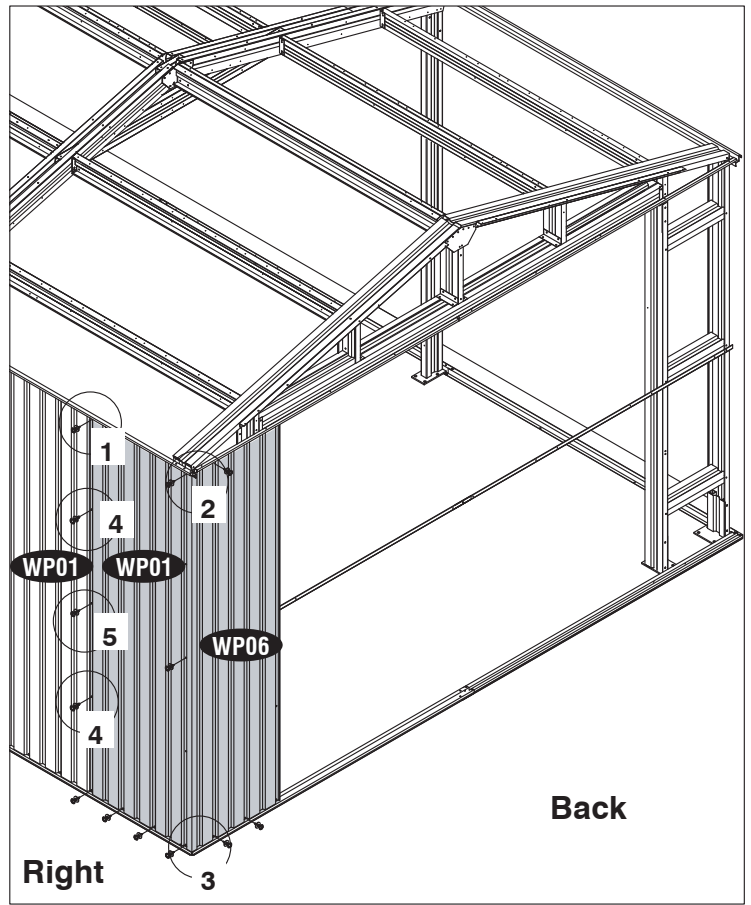


Fig.4

Fig.5



Step - 16

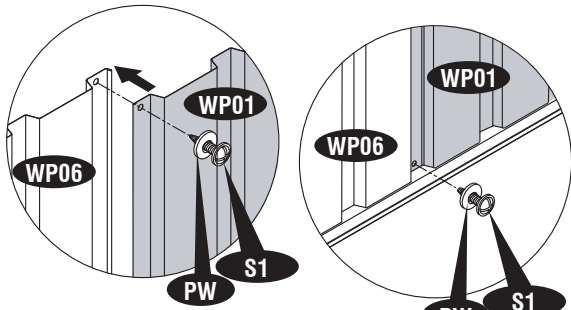


Fig.1

Fig.2

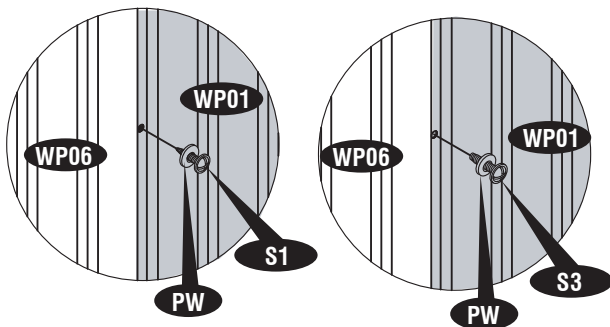
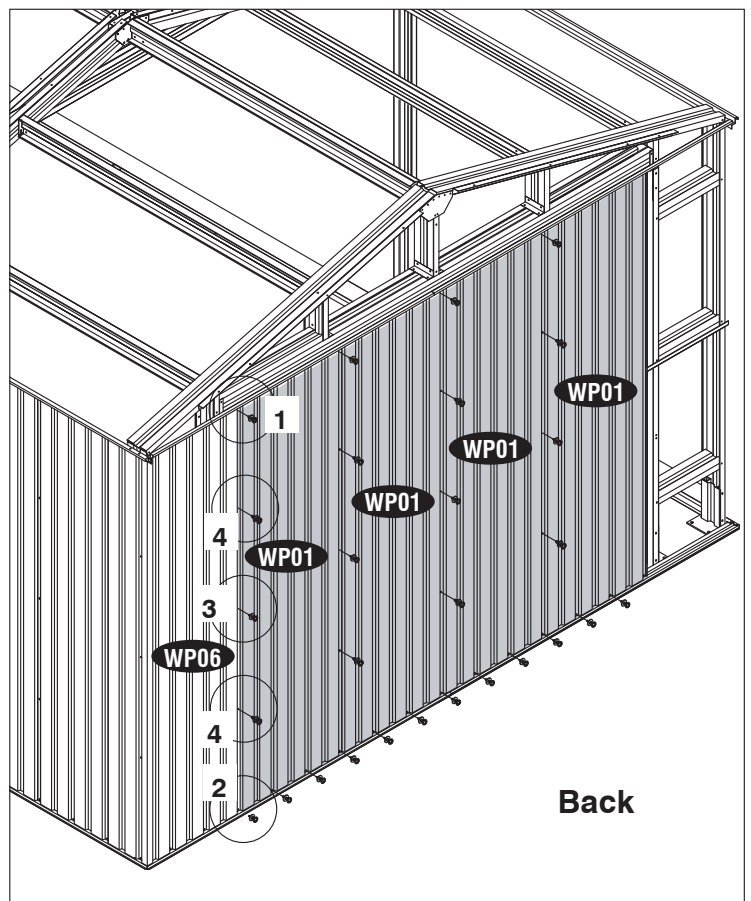


Fig.3

Fig.4



Step - 17

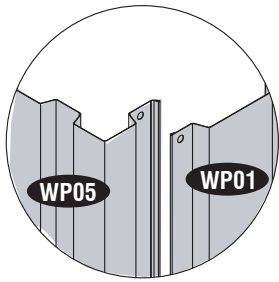


Fig.1

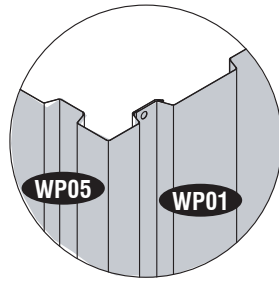
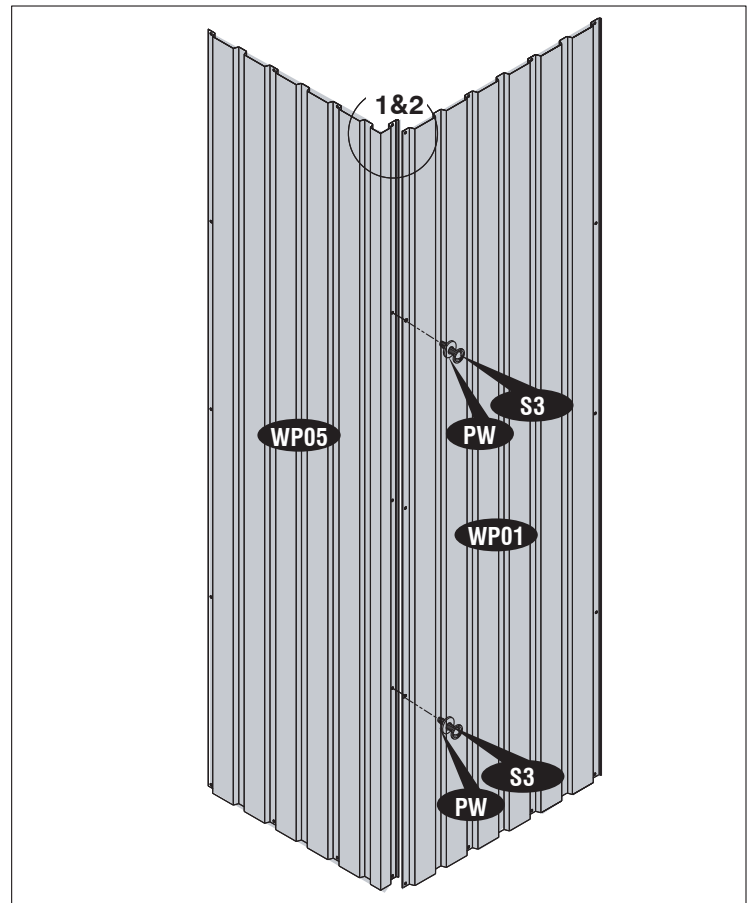


Fig.2



Step - 18

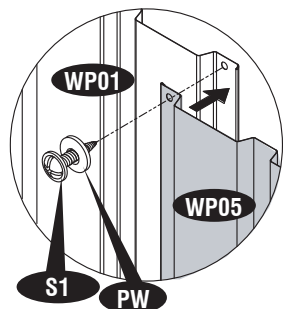


Fig.1

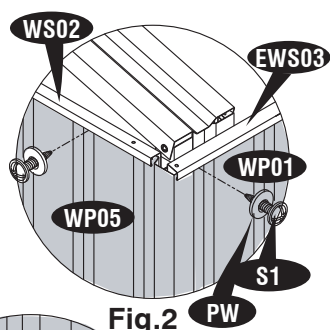


Fig.2

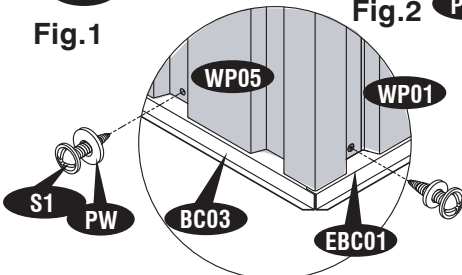


Fig.3

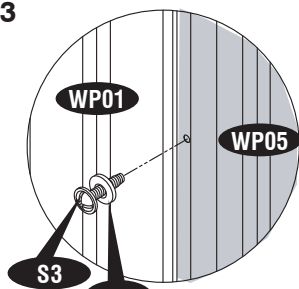
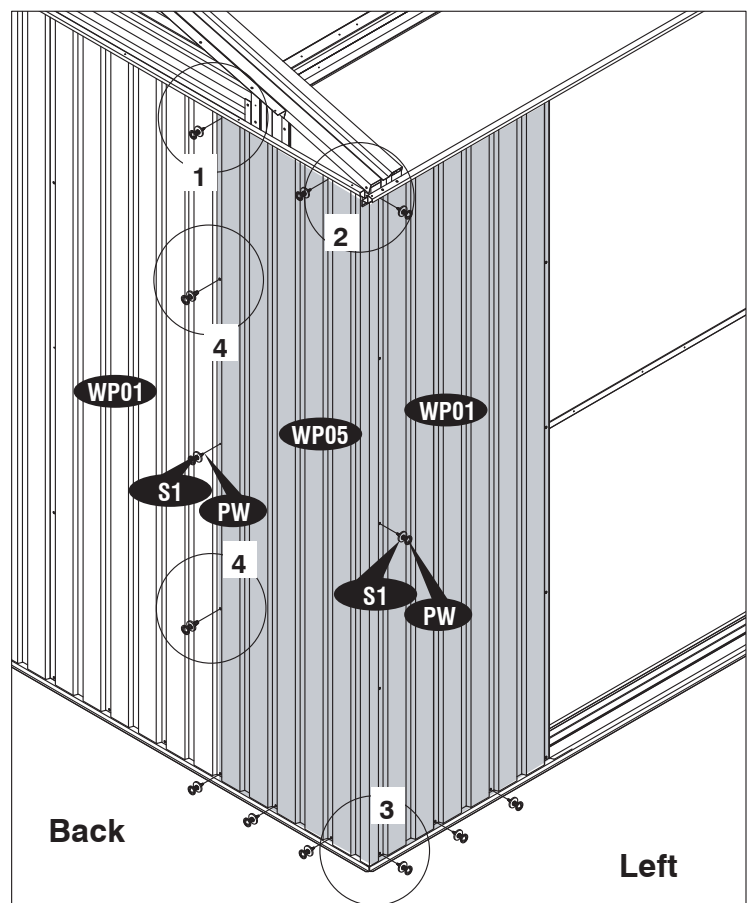


Fig.4



IMPORTANT: USE HAND GLOVES TO PREVENT INJURY.

Step - 19

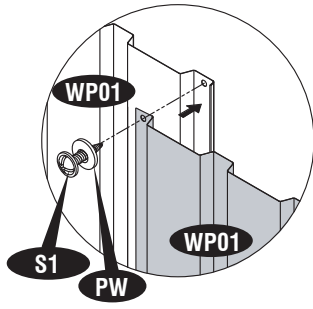


Fig.1

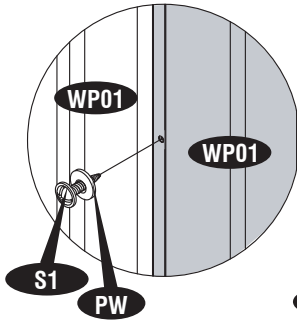


Fig.2

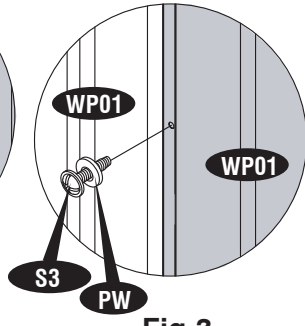
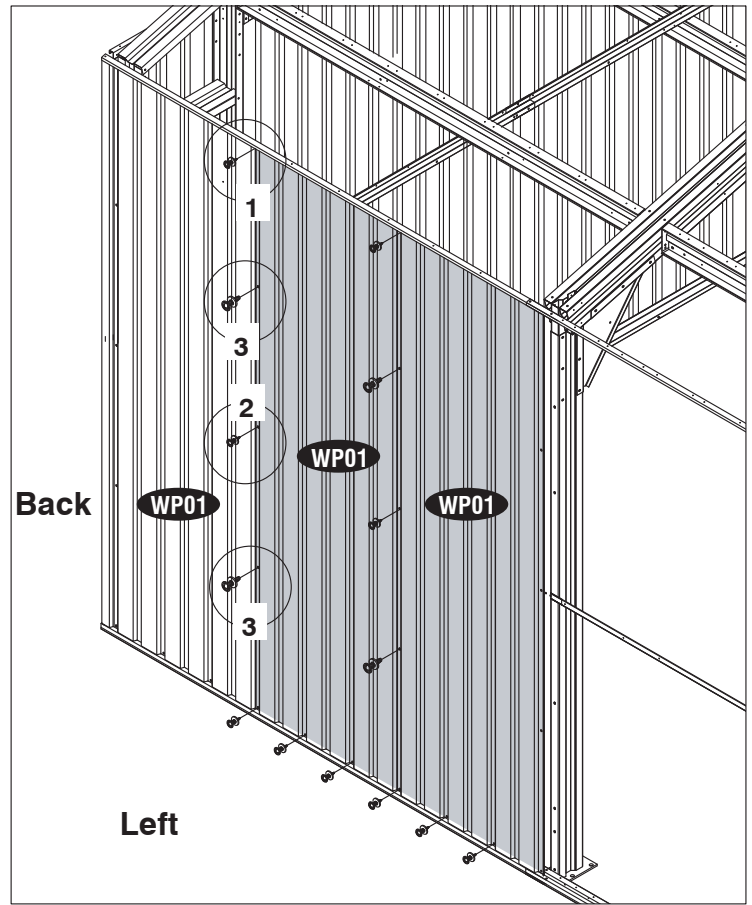
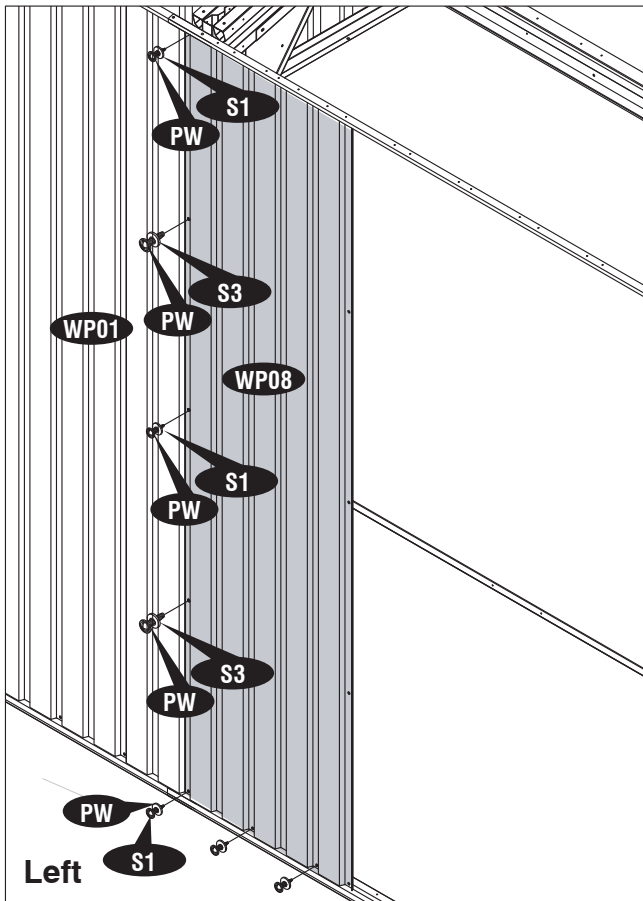


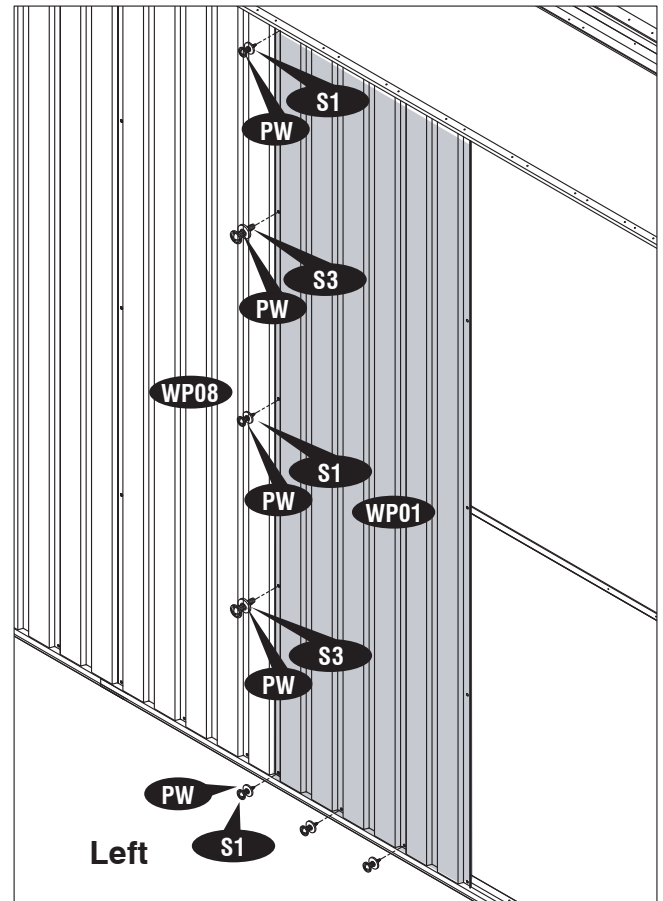
Fig.3



Step - 20



Step - 21



Step - 22

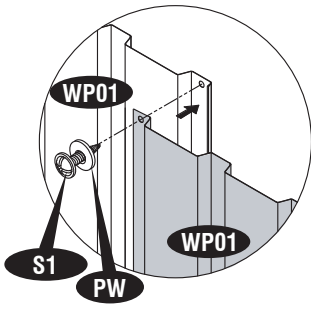


Fig.1

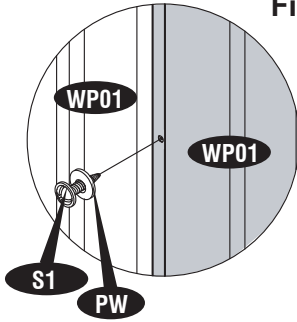


Fig.2

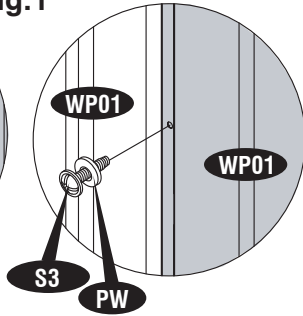
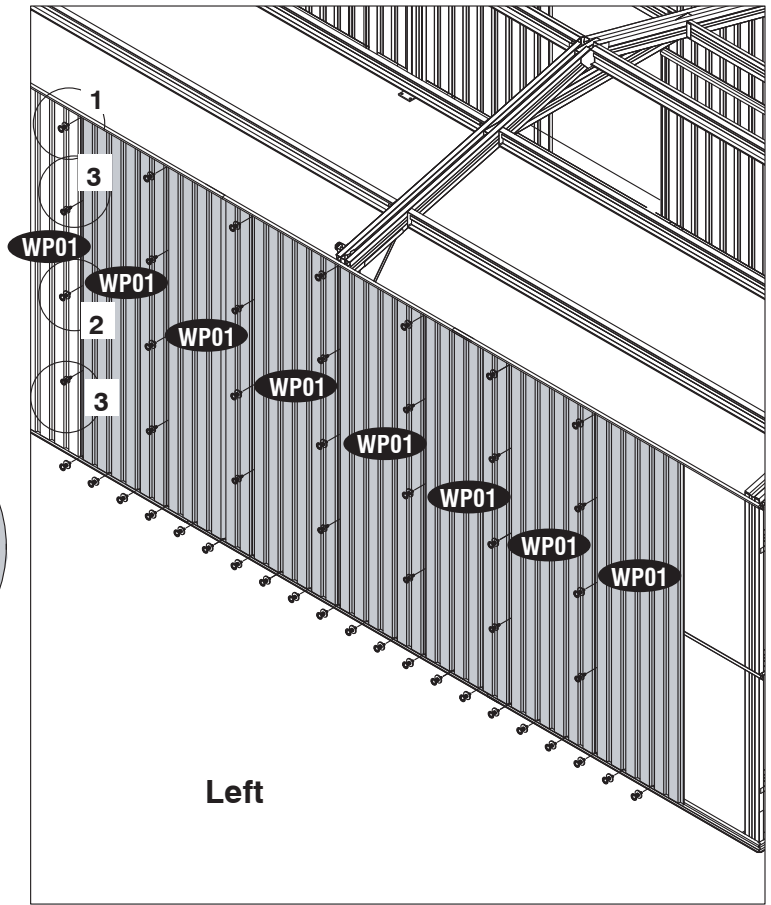


Fig.3



Step - 23

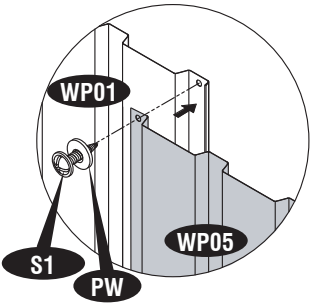


Fig.1

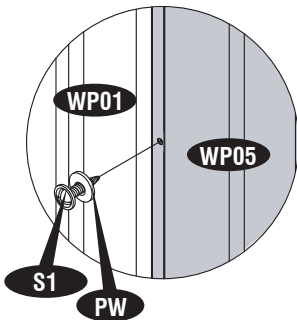


Fig.2

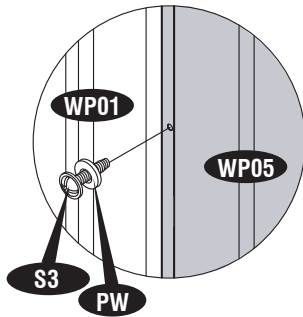
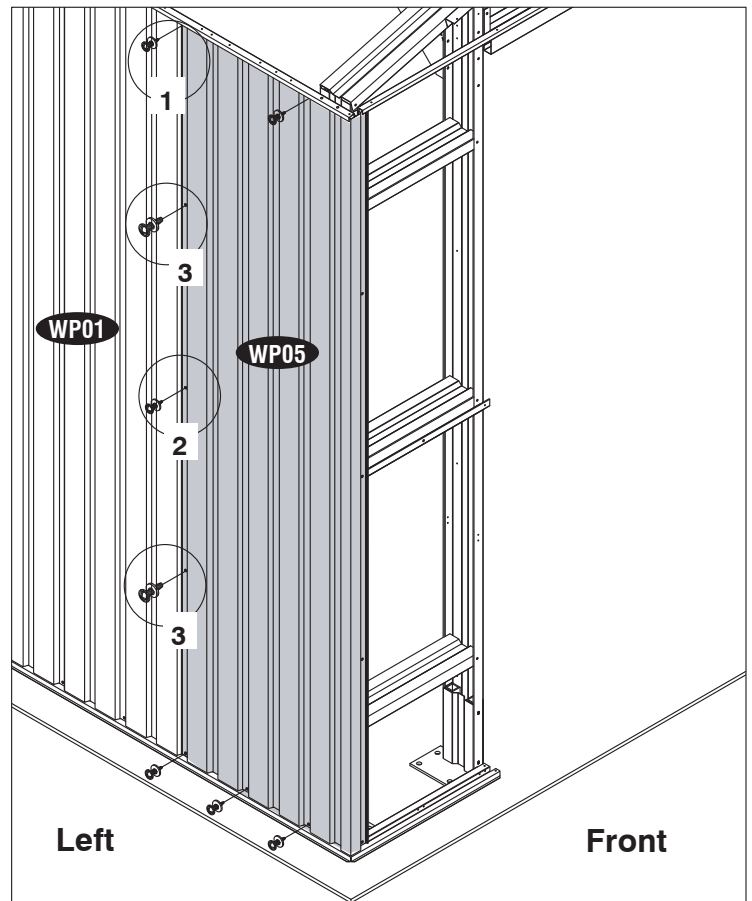


Fig.3



IMPORTANT: USE HAND GLOVES TO PREVENT INJURY.

Step - 24



Fig.1

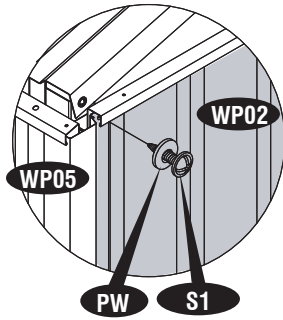


Fig.2

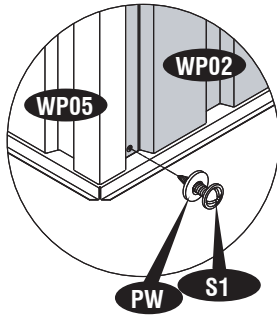


Fig.3

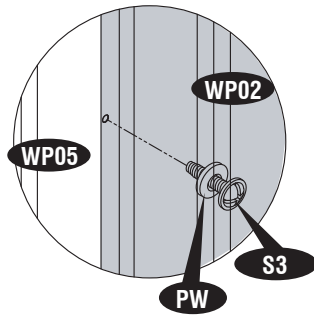
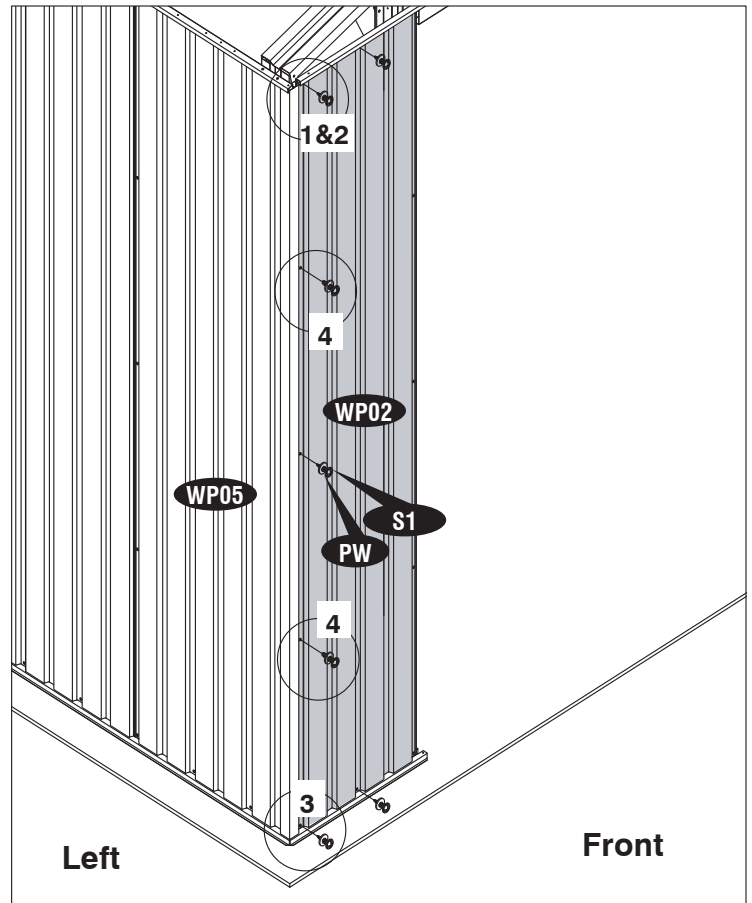


Fig.4



Step - 25

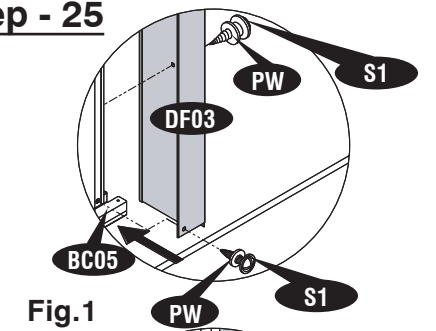


Fig.1

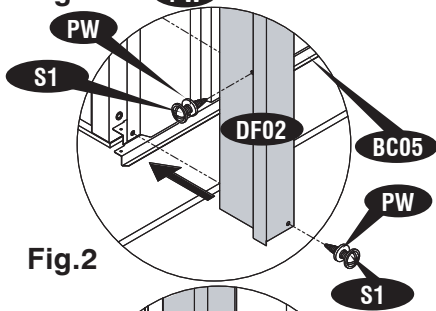


Fig.2

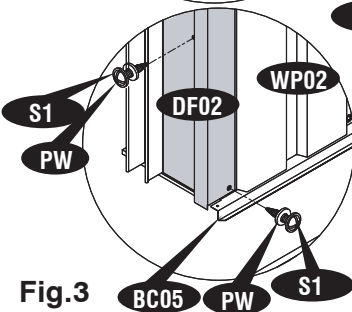
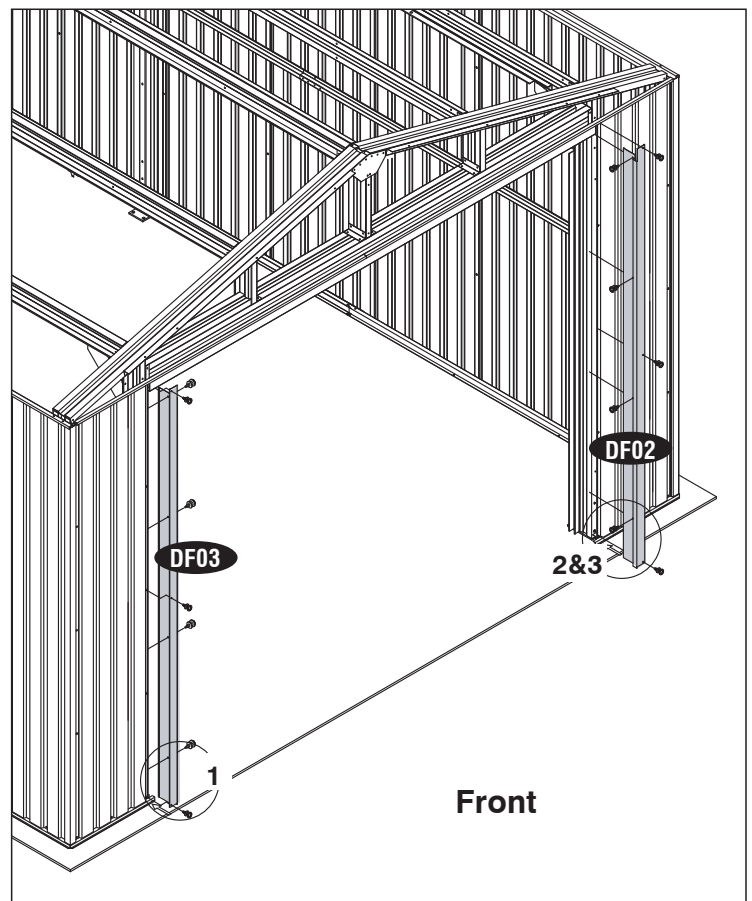


Fig.3



IMPORTANT: USE HAND GLOVES TO PREVENT INJURY.

Step - 26

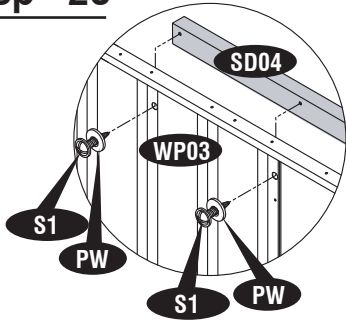


Fig.1

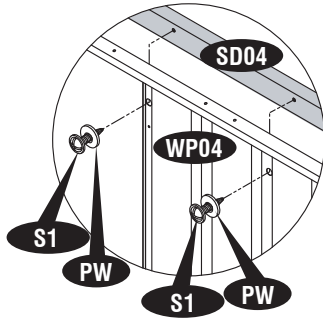
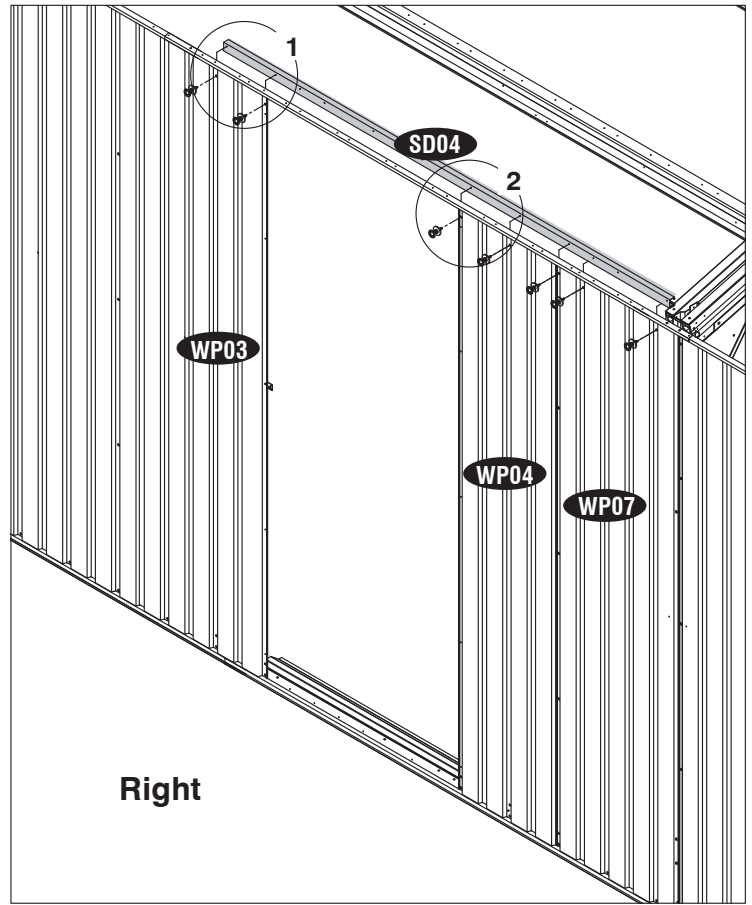
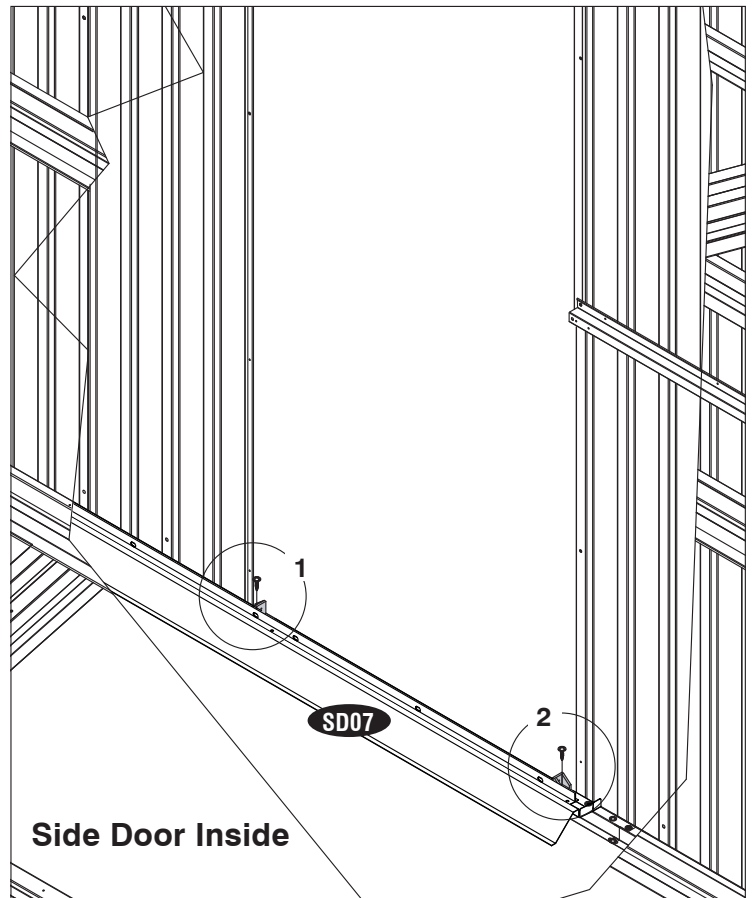
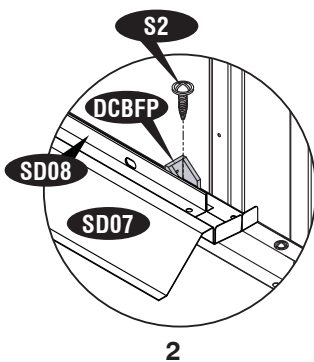
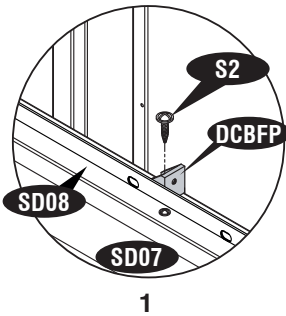


Fig.2



Step - 27



IMPORTANT: USE HAND GLOVES TO PREVENT INJURY.

Step - 28

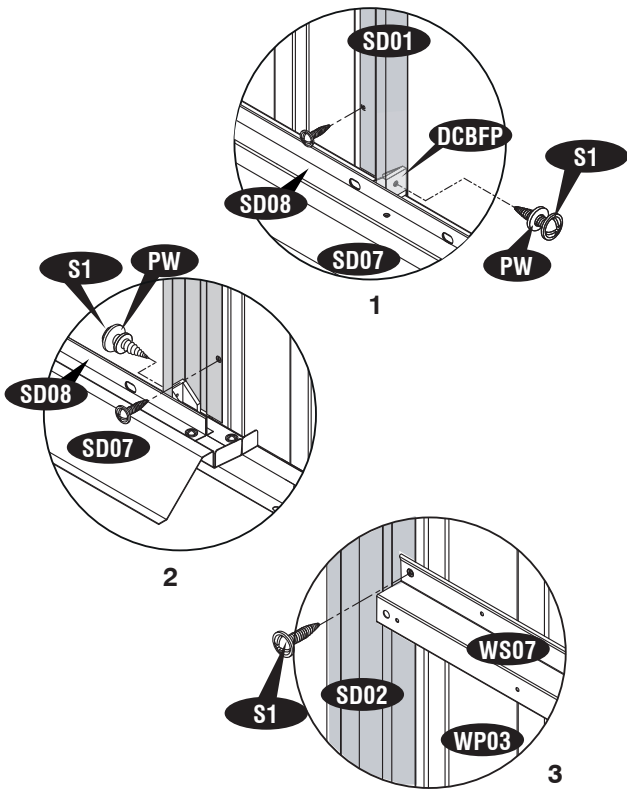
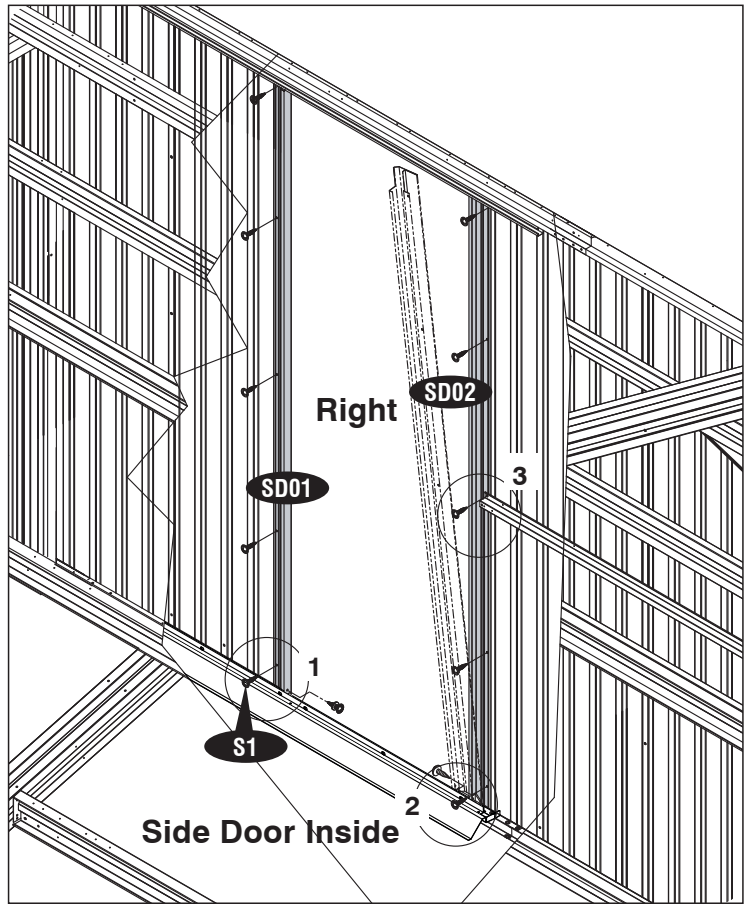


Fig.3



Step - 29

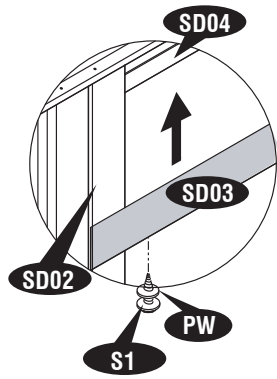


Fig.1

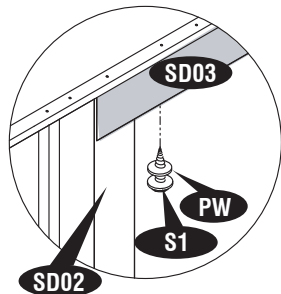
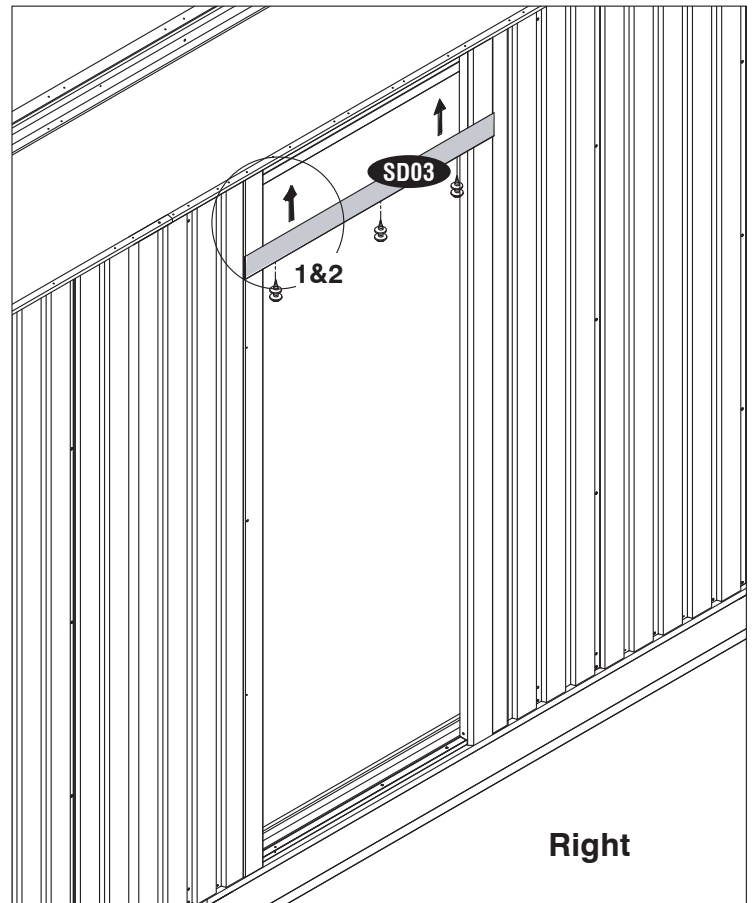


Fig.2



IMPORTANT: USE HAND GLOVES TO PREVENT INJURY.

Step - 30

Make 2 Sets

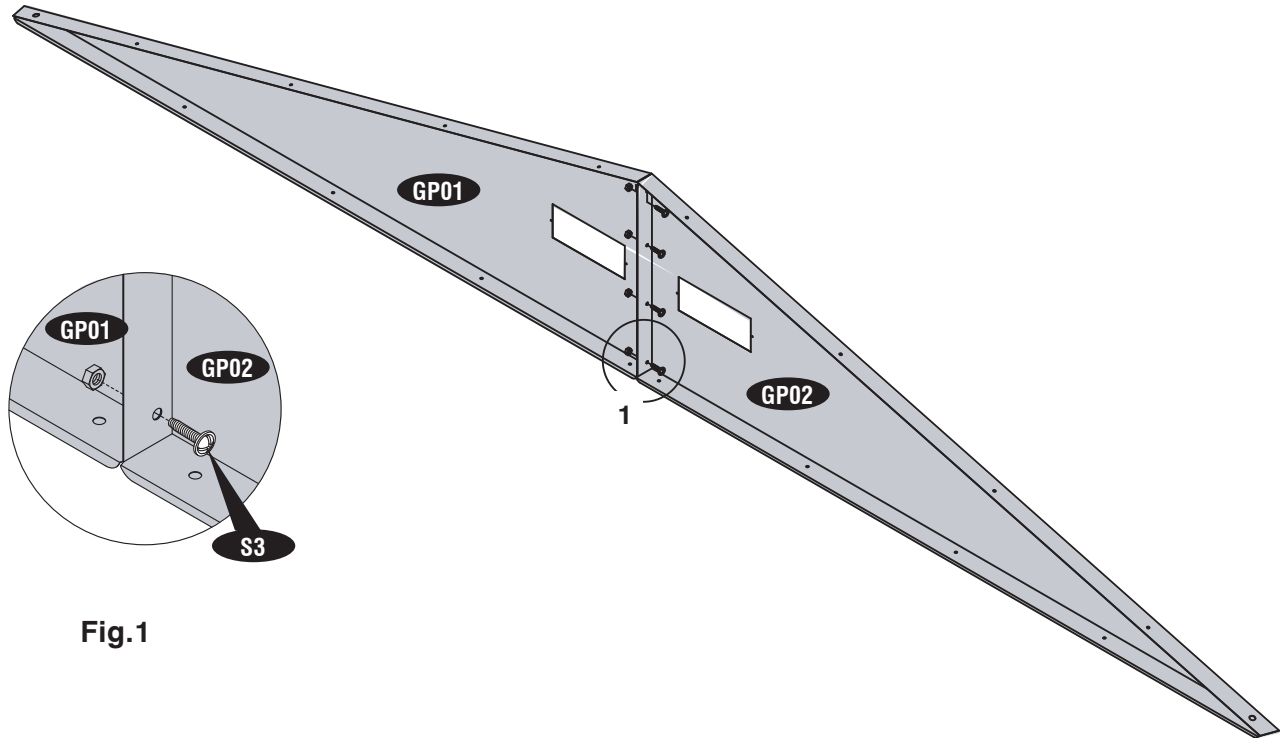


Fig.1

Step - 31

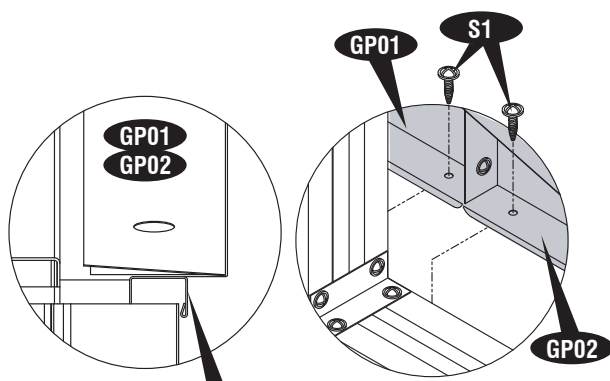


Fig.1

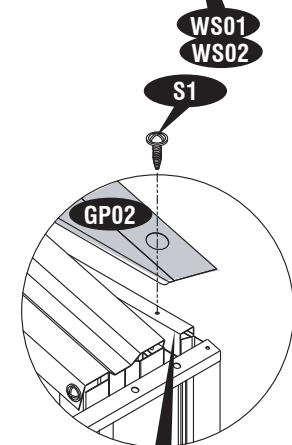


Fig.2

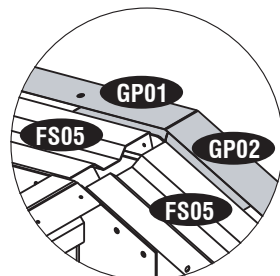
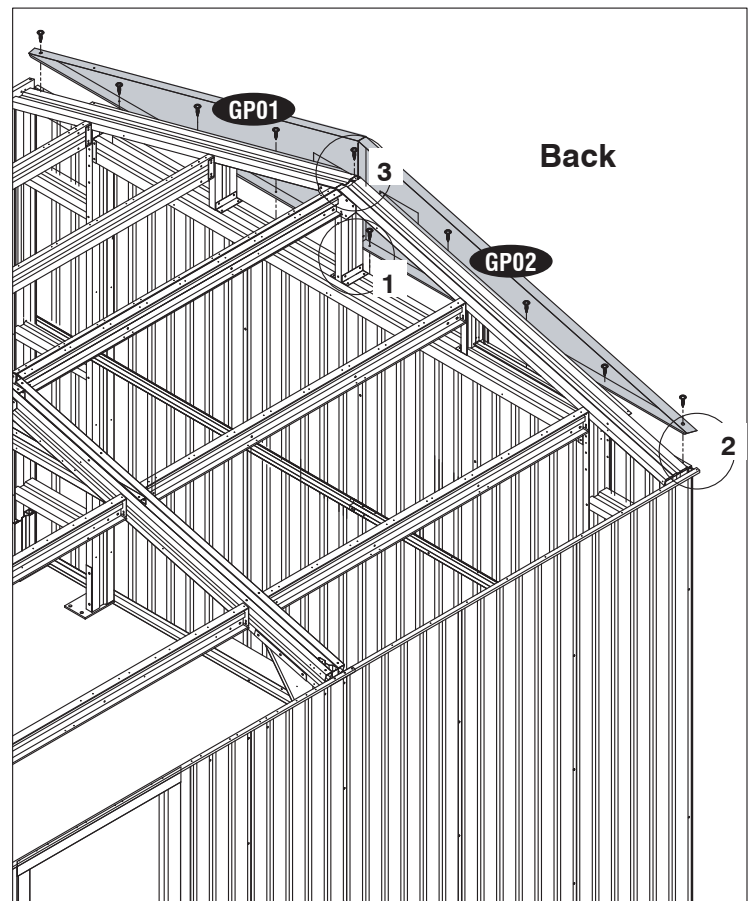
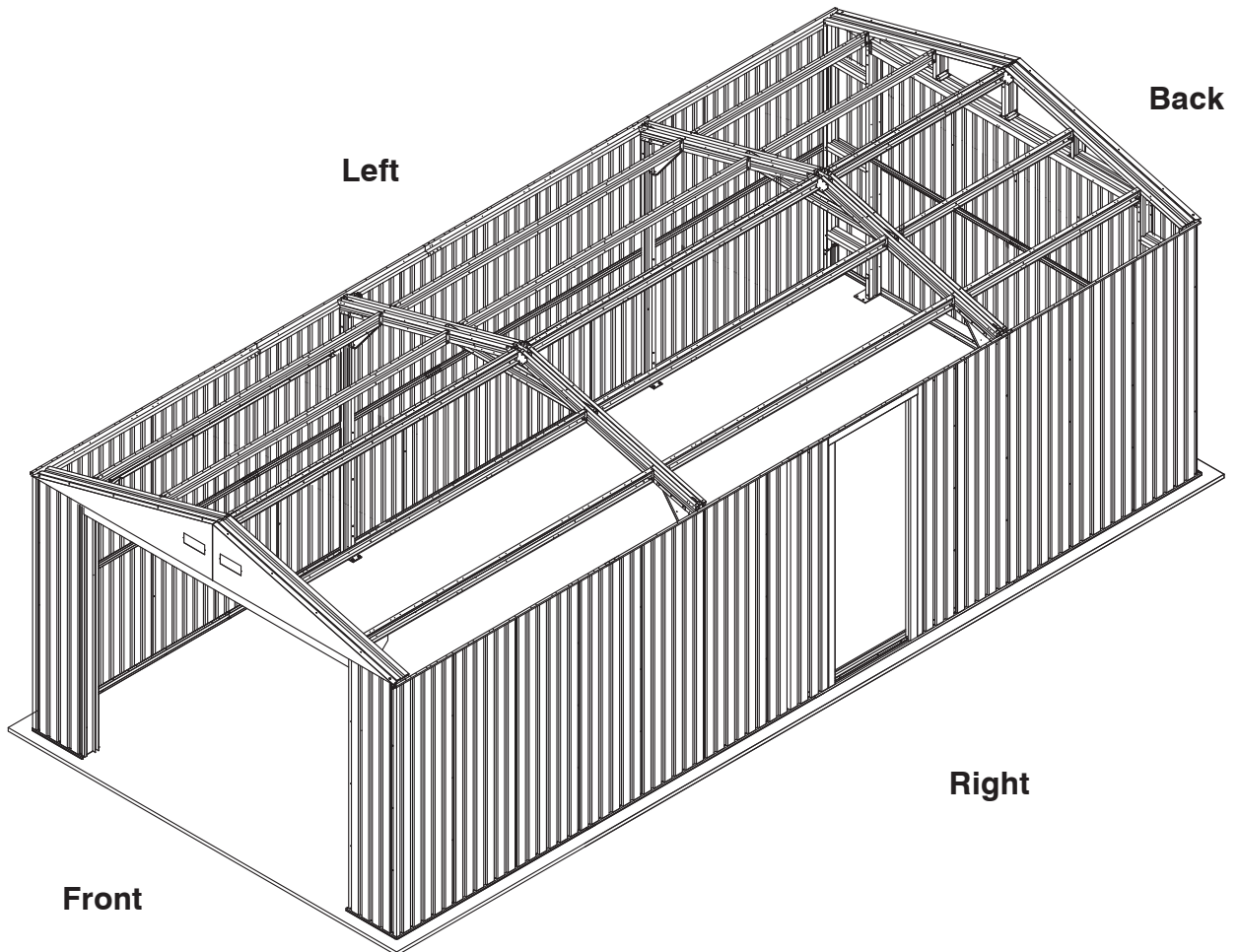
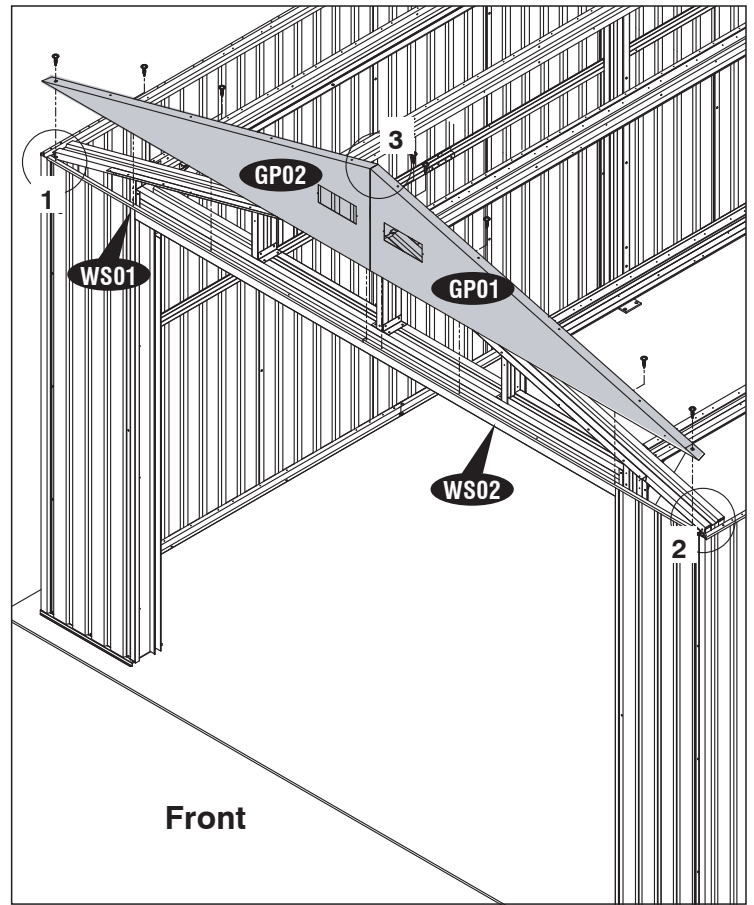
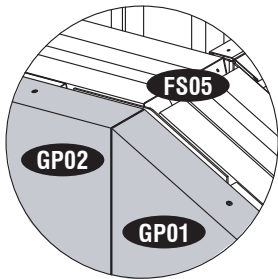
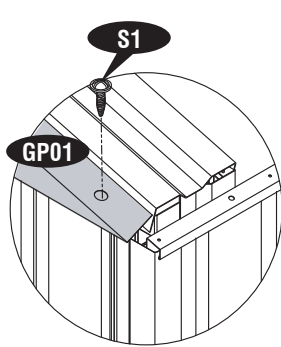
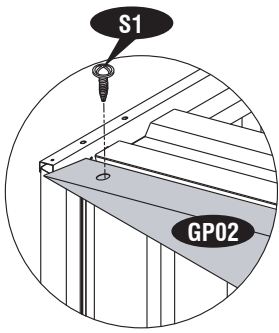


Fig.3



IMPORTANT: USE HAND GLOVES TO PREVENT INJURY.

Step - 32



IMPORTANT: USE HAND GLOVES TO PREVENT INJURY.

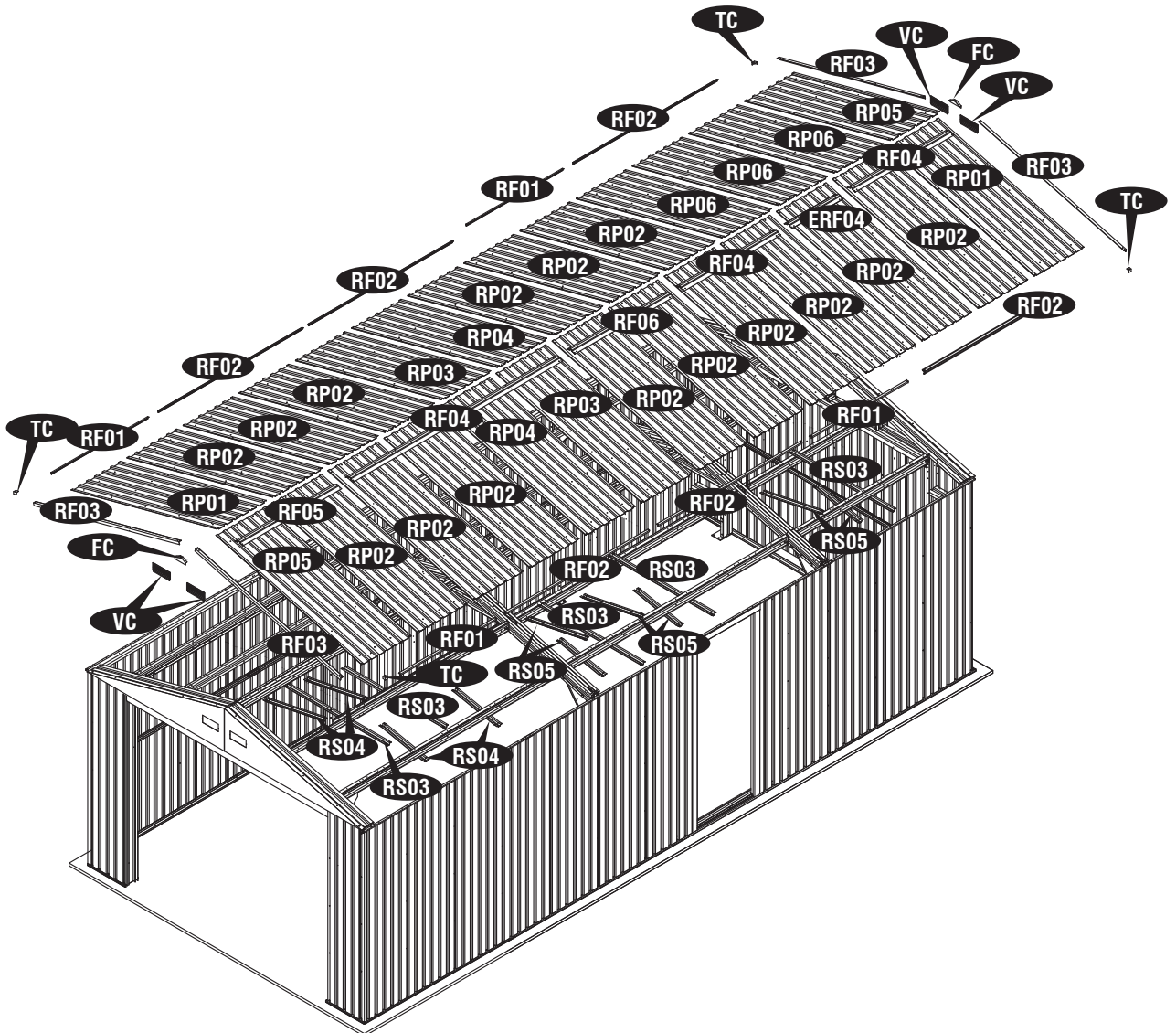
F. Roof Panel Installations and Accessories

Parts Needed:

Code	Qty	Code	Qty
RP01	2	WST	8 Meter
RP02	12	FC	2
RP03	2	VC	4
RP04	2	TC	4
RP05	2	S1	254
RF01	4	S2	28
RF02	4	S3	62
RF03	4	S9	24
RF04	3	PW	332
RF05	1		
RF06	1		
RS03	4		
RS04	4		
RS05	4		

Parts Needed for each extension:

Code	Qty	Code	Qty
RP02	3	WST	2.5 Meter
RP06	3	S1	72
RF02	2	S2	8
RF04	1	S3	18
RS03	1	S9	6
RS05	2	PW	60
ERF04	1		



IMPORTANT: USE HAND GLOVES TO PREVENT INJURY.

Step - 1

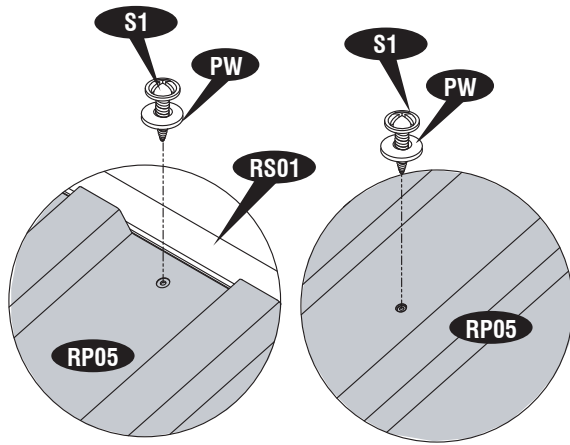
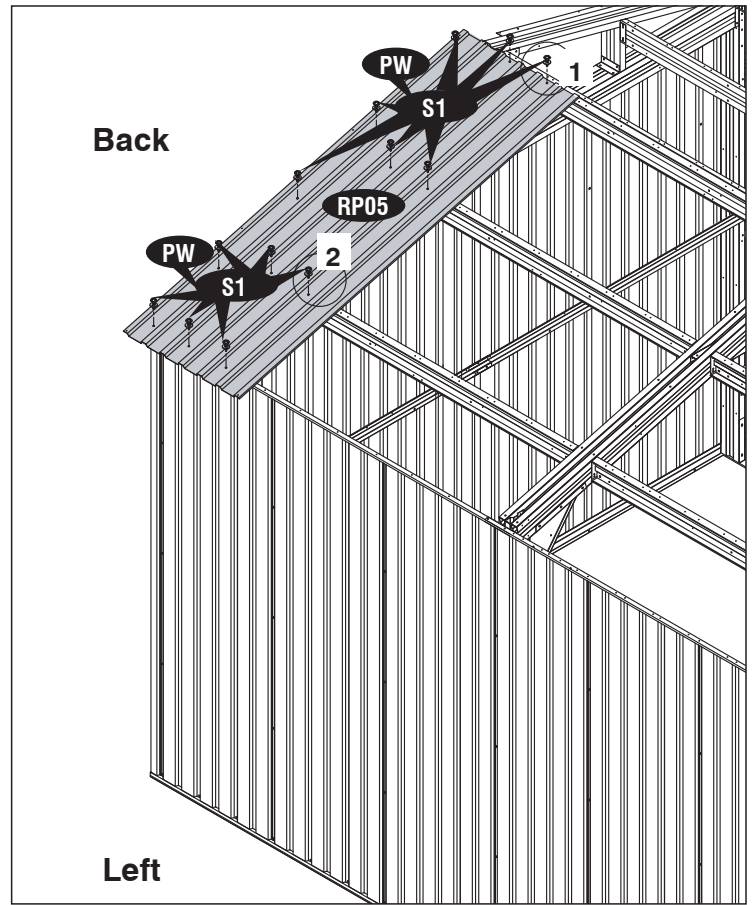


Fig.1

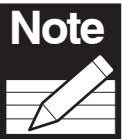
Fig.2



Step -2



Note Make sure the overlapping position for roof panel is as shown in blow up.



Note Roof Panel installation by using ladder from inside at missing Panels.

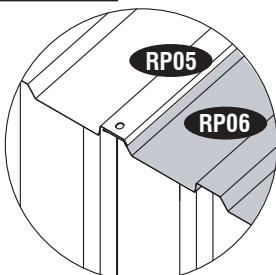


Fig.1

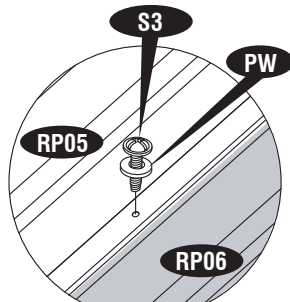


Fig.2

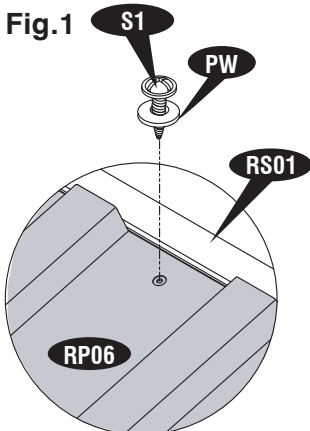


Fig.3

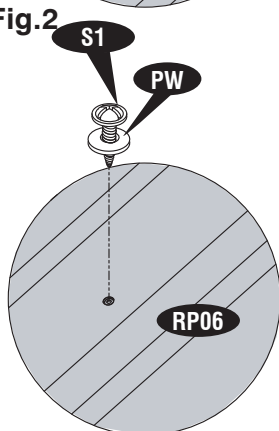
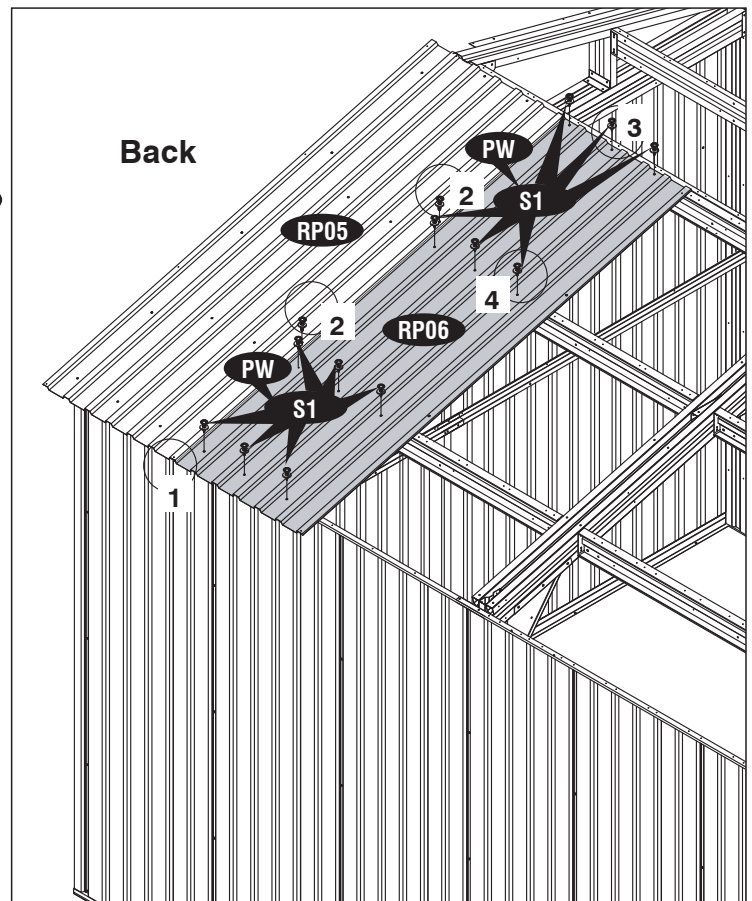


Fig.4



Step -3

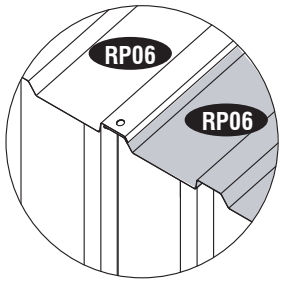


Fig.1

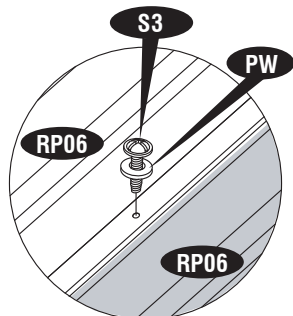


Fig.2

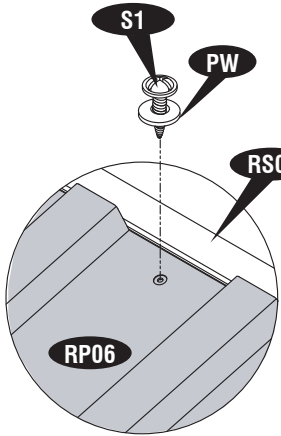


Fig.3

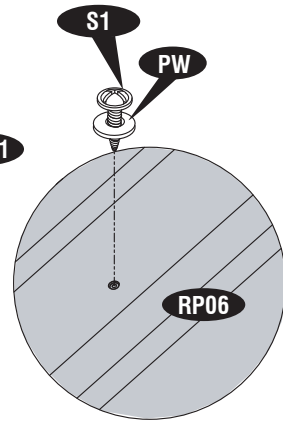
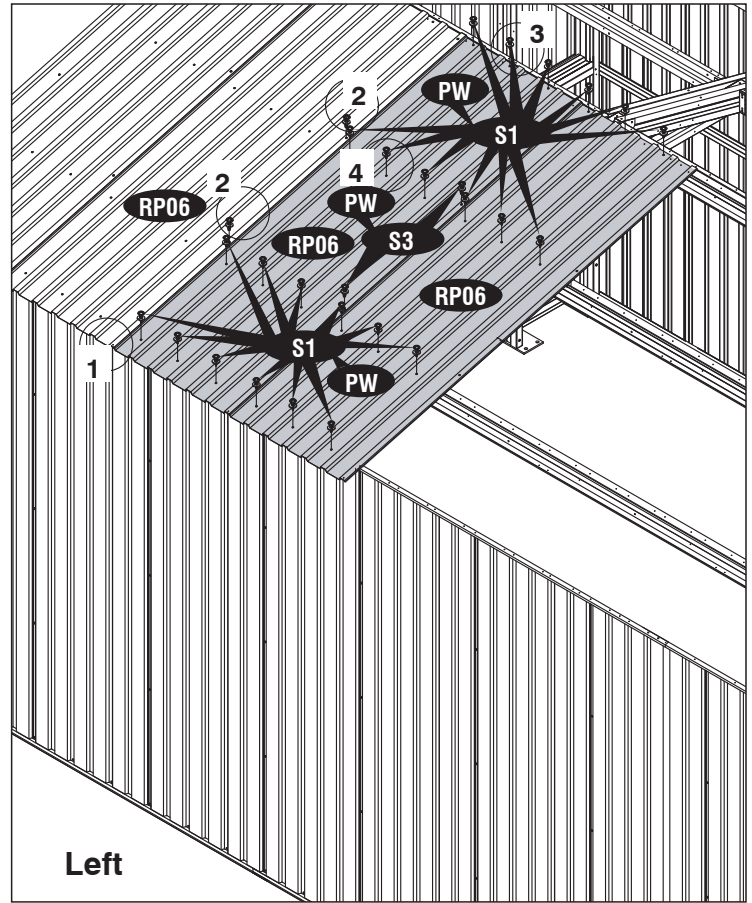


Fig.4



Step -4

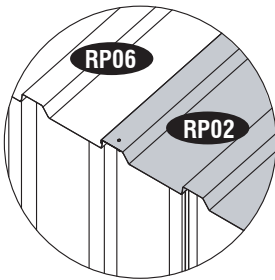


Fig.1

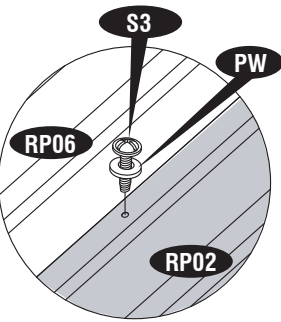


Fig.2

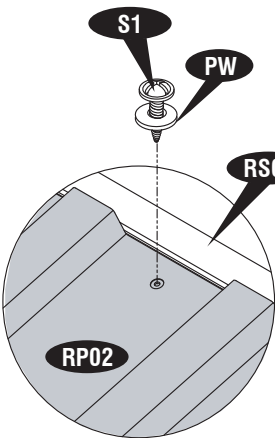


Fig.3

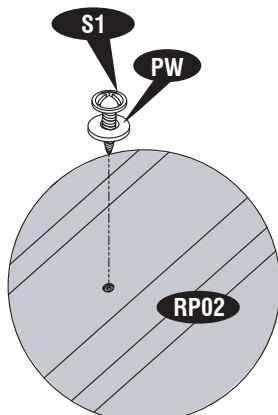
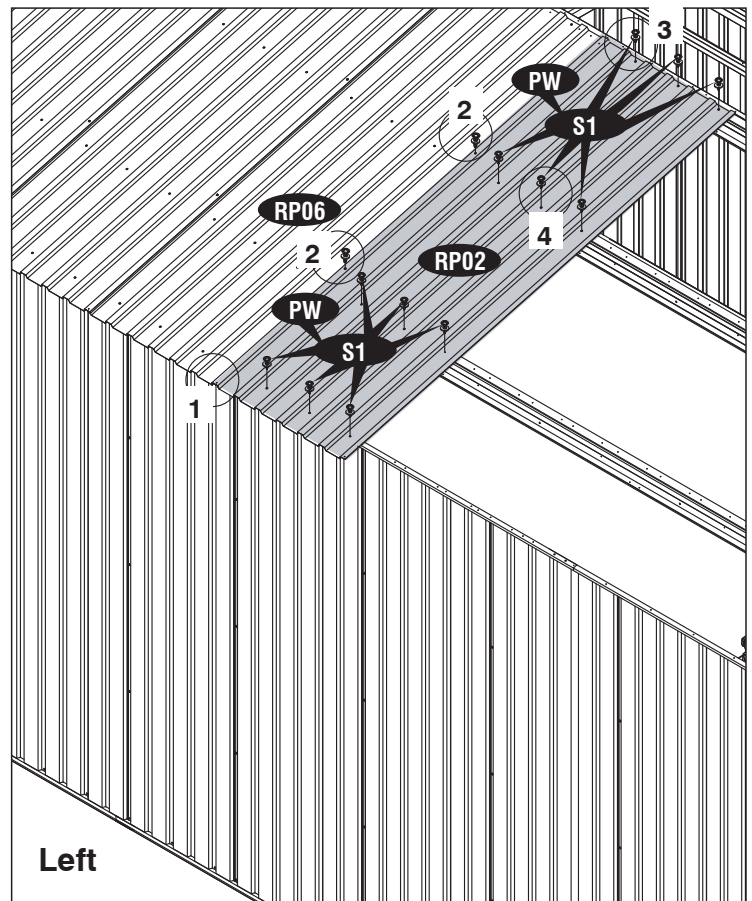


Fig.4



IMPORTANT: USE HAND GLOVES TO PREVENT INJURY.

Step -5

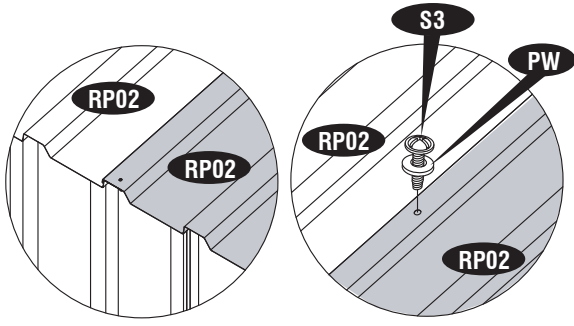


Fig.1

Fig.2

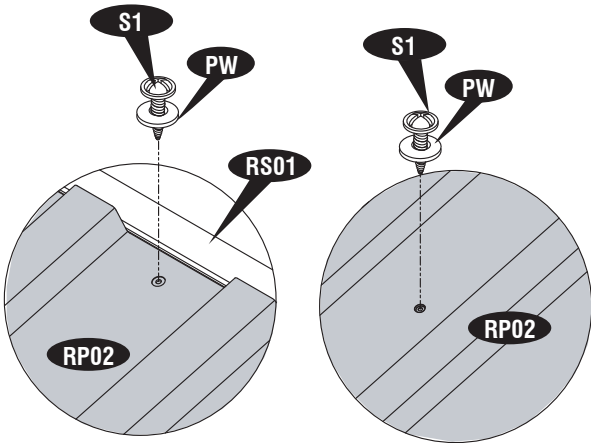
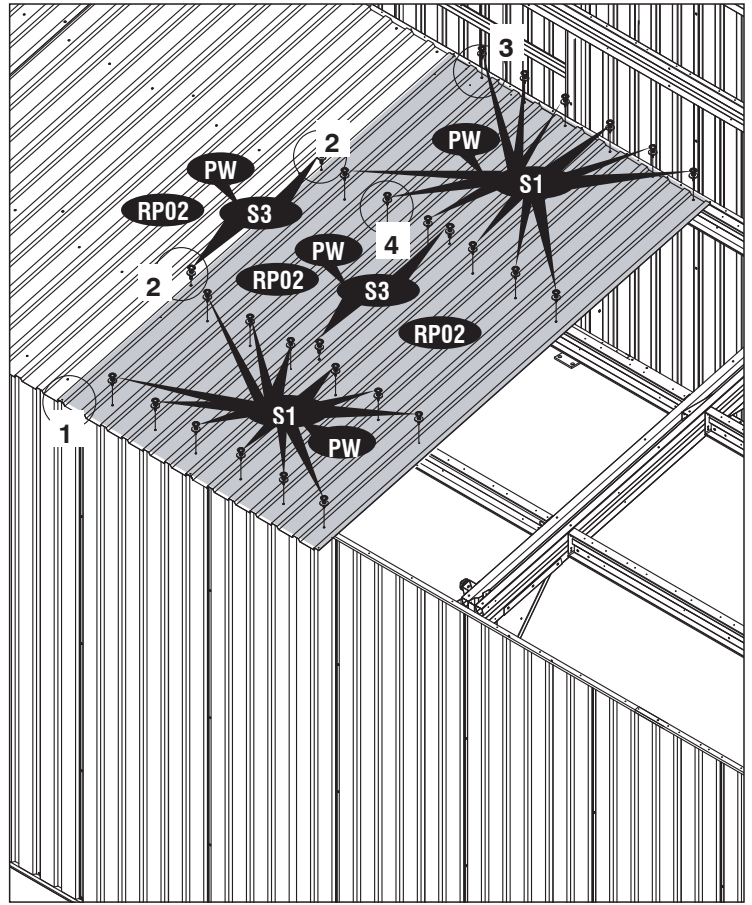


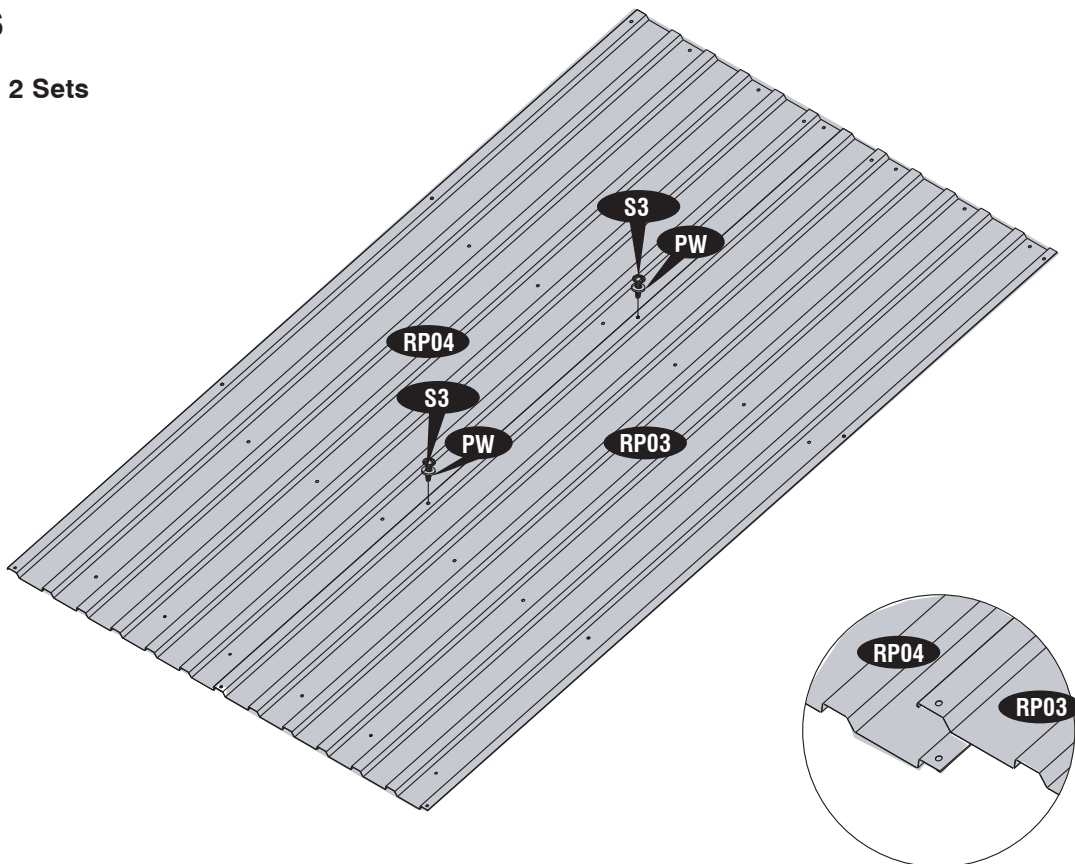
Fig.3

Fig.4

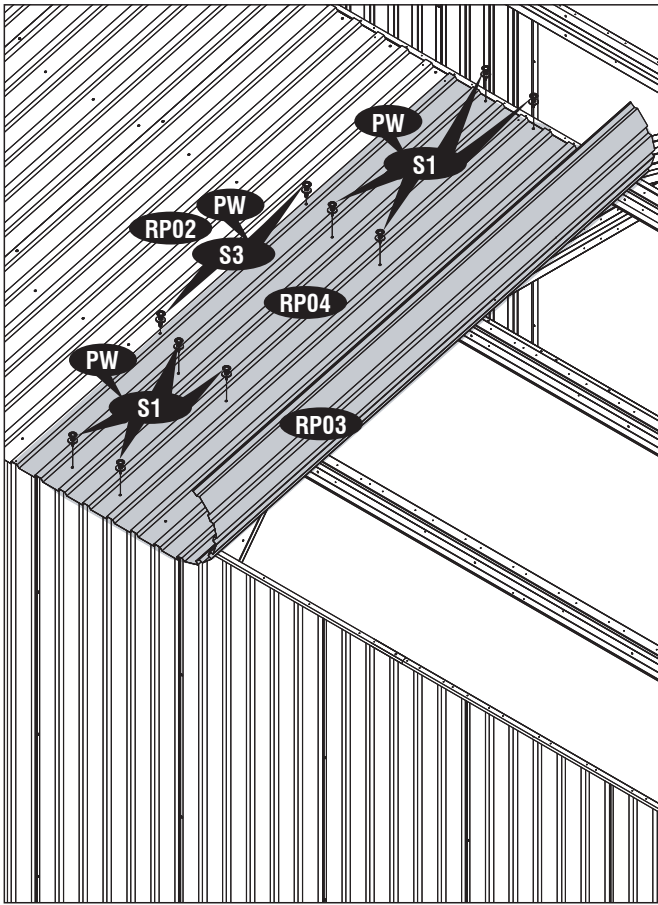


Step -6

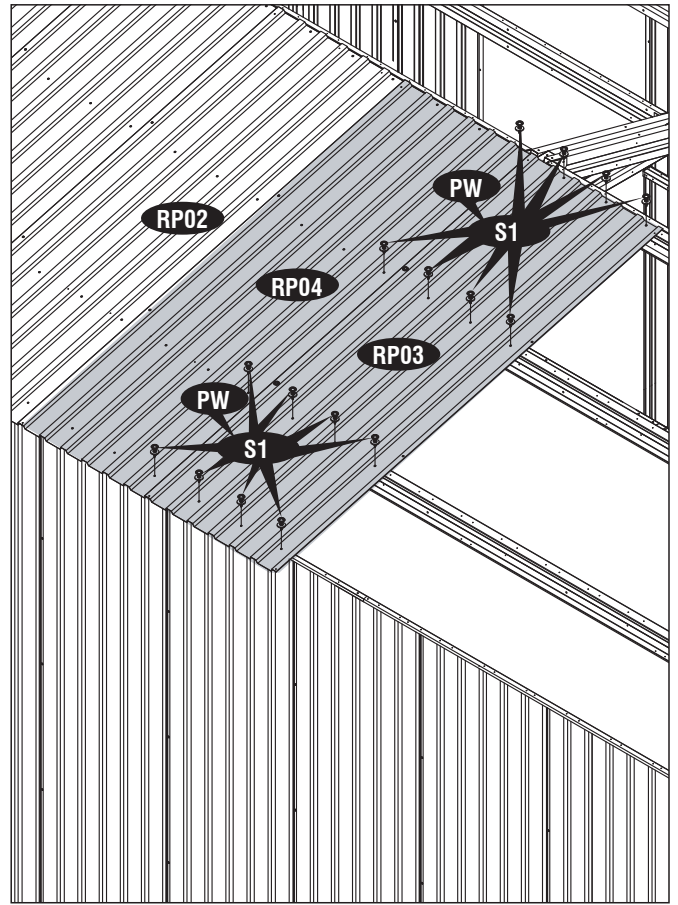
Make 2 Sets



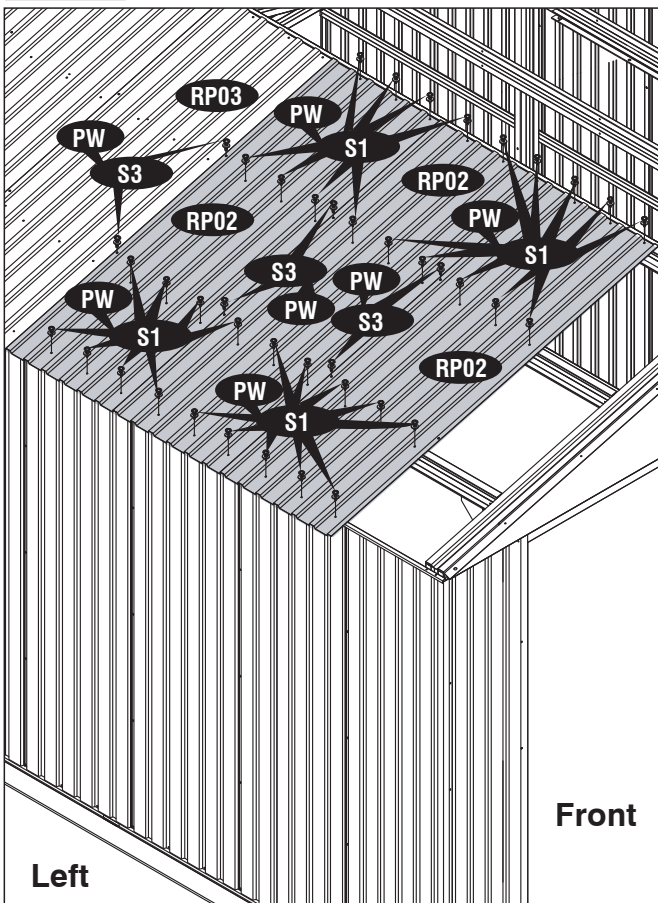
Step -7



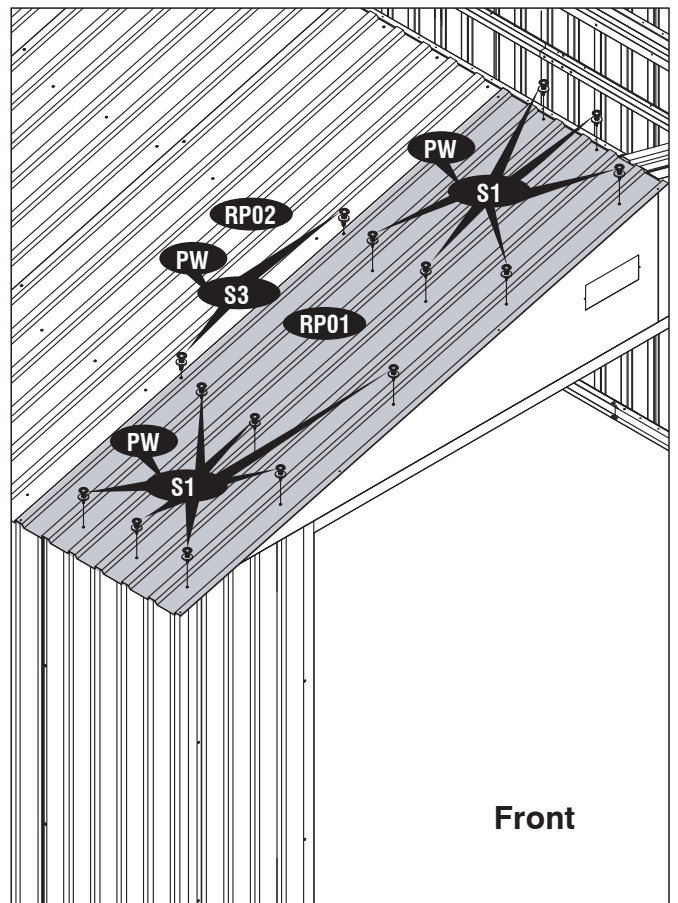
Step -8



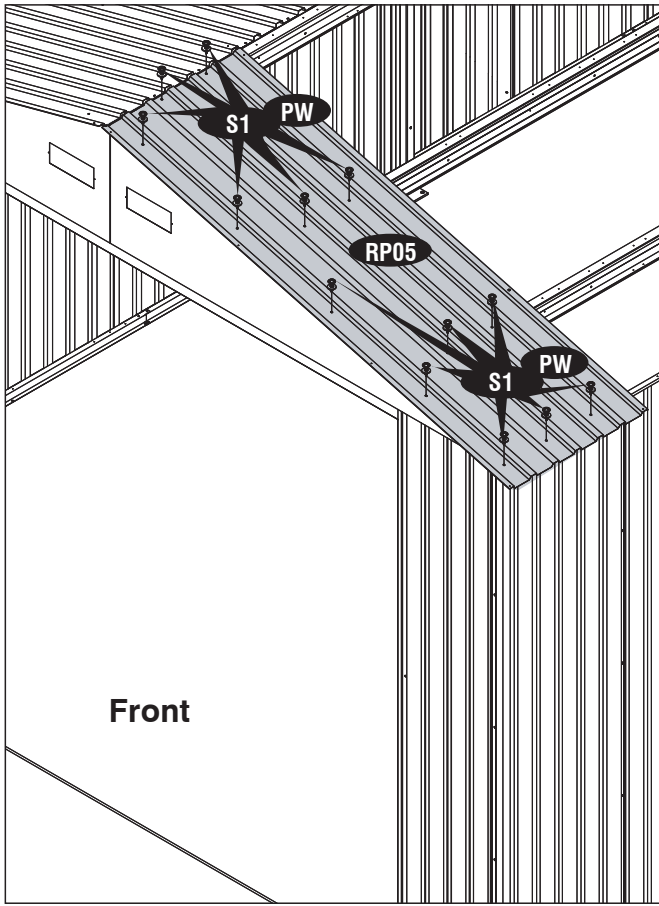
Step -9



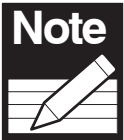
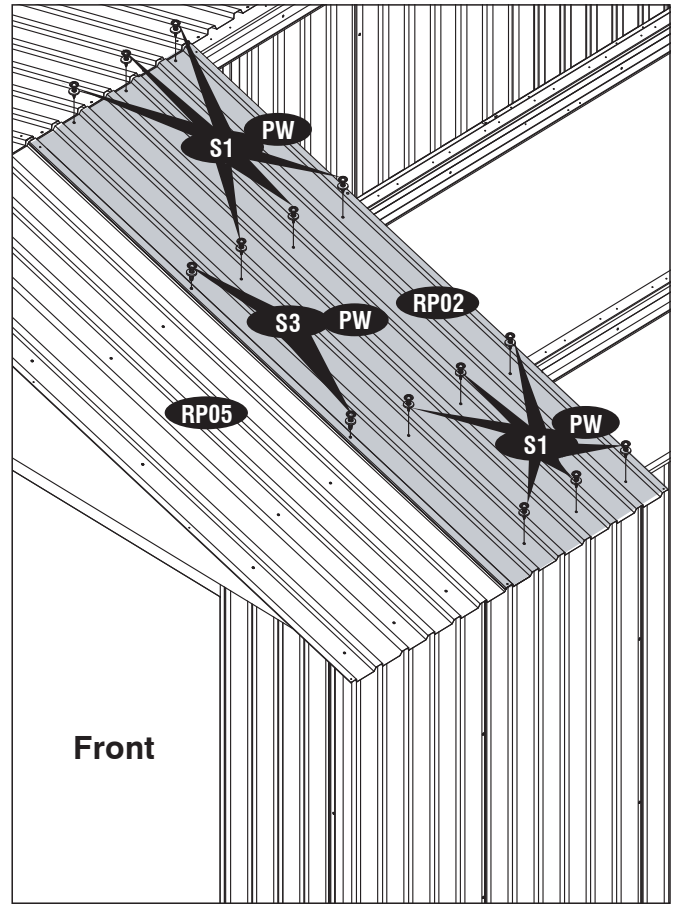
Step -10



Step - 11

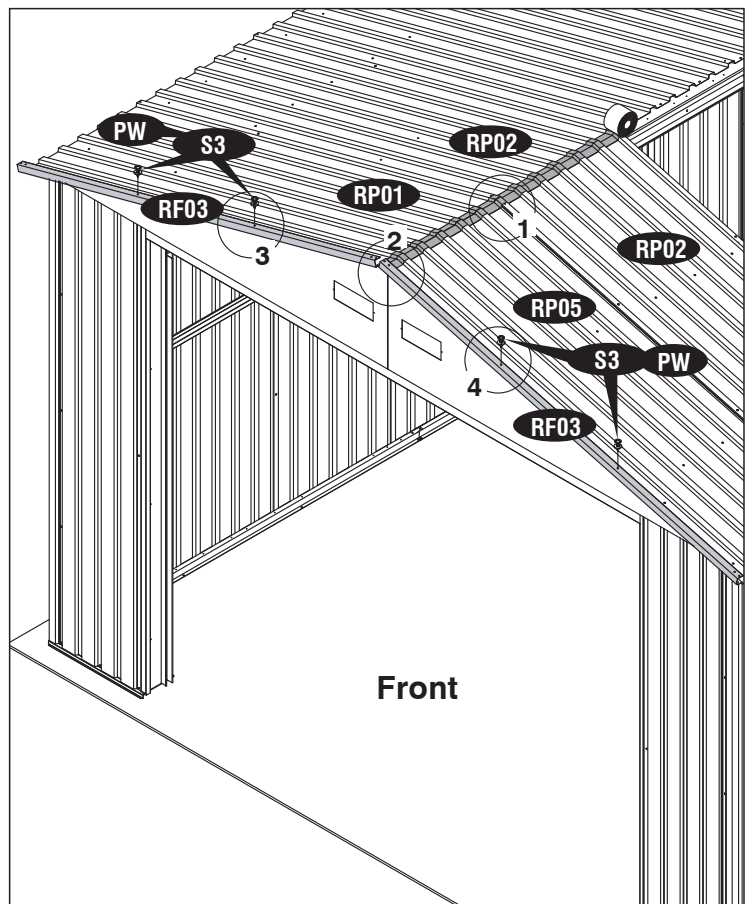
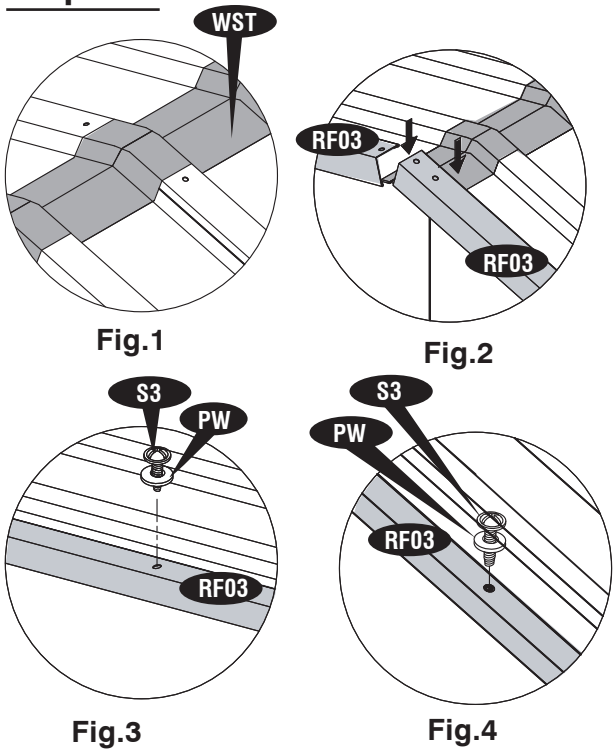


Step - 12



Note Roof Panel installation by using ladder from inside at missing Panels.

Step - 13



Step - 14

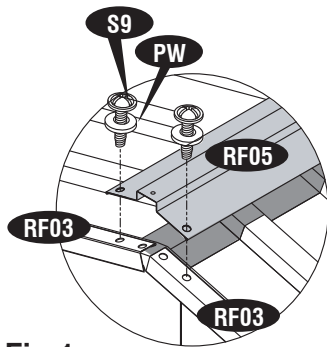


Fig.1

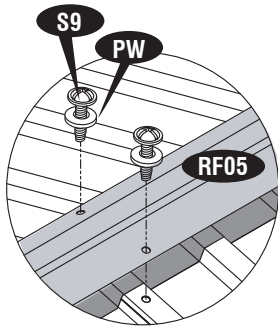
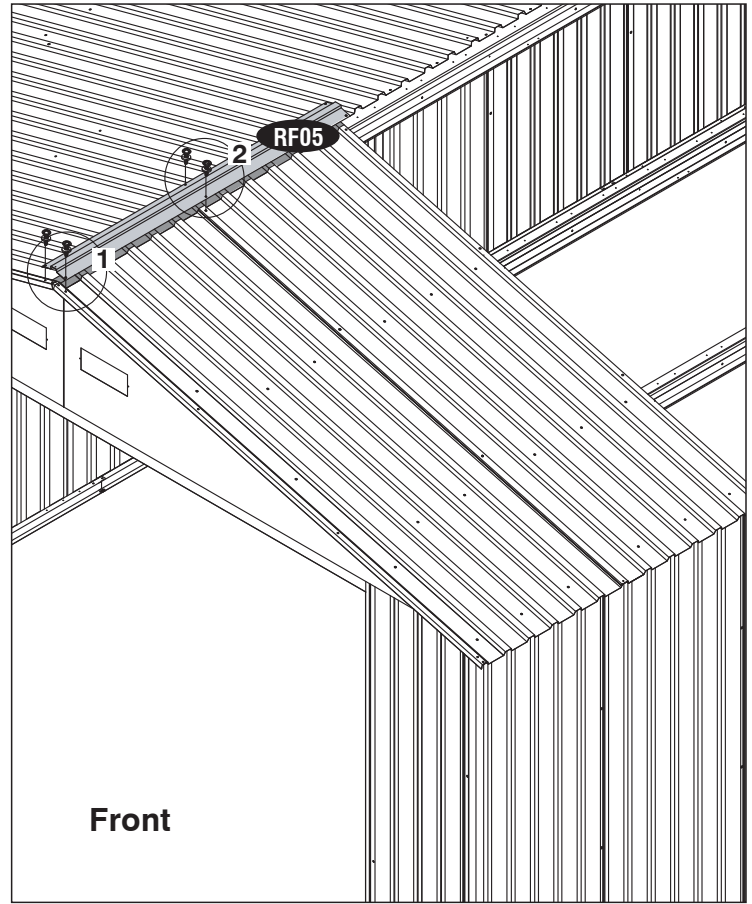
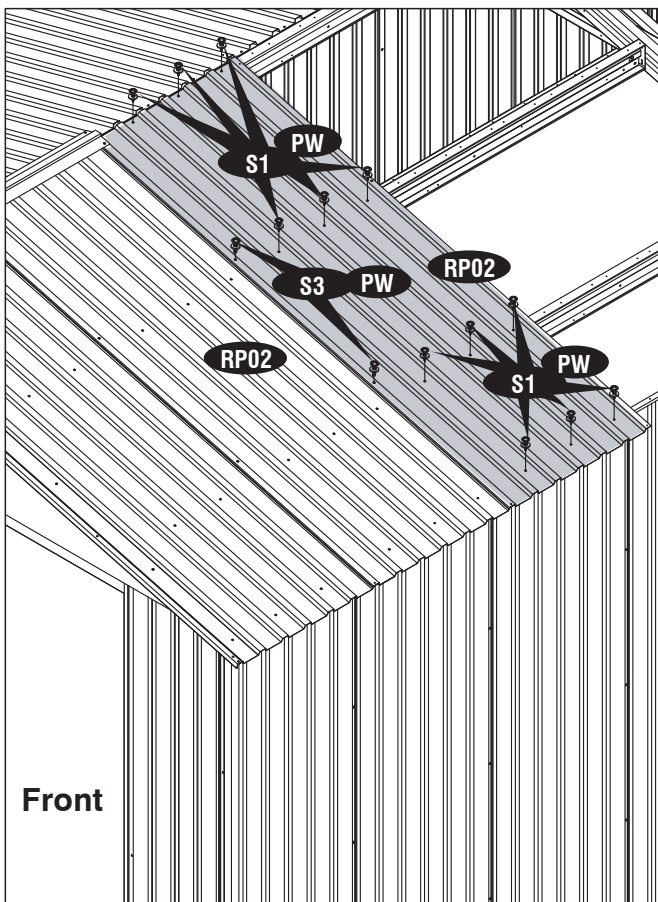


Fig.2



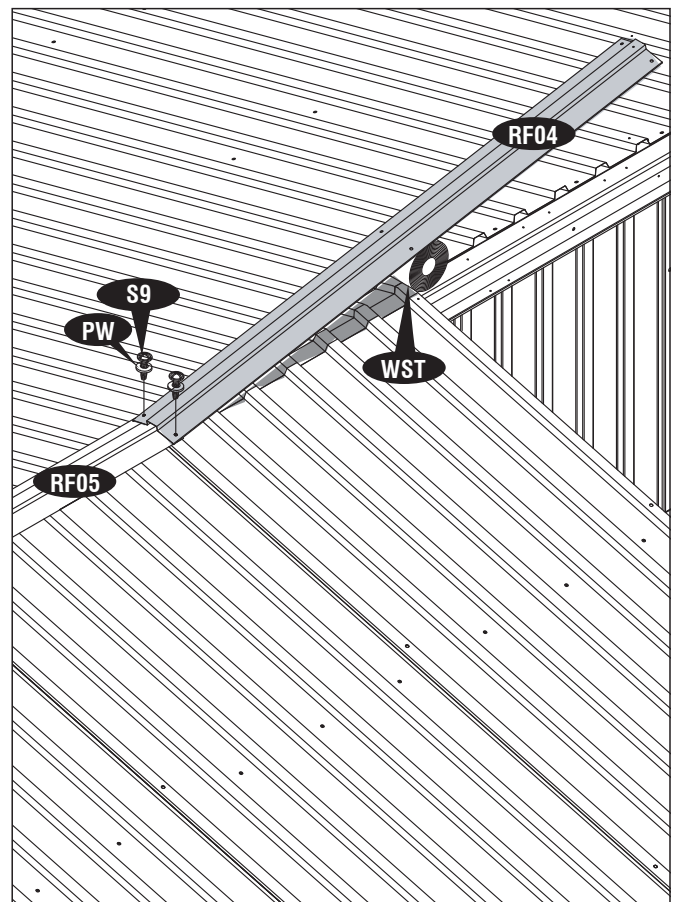
Front

Step - 15



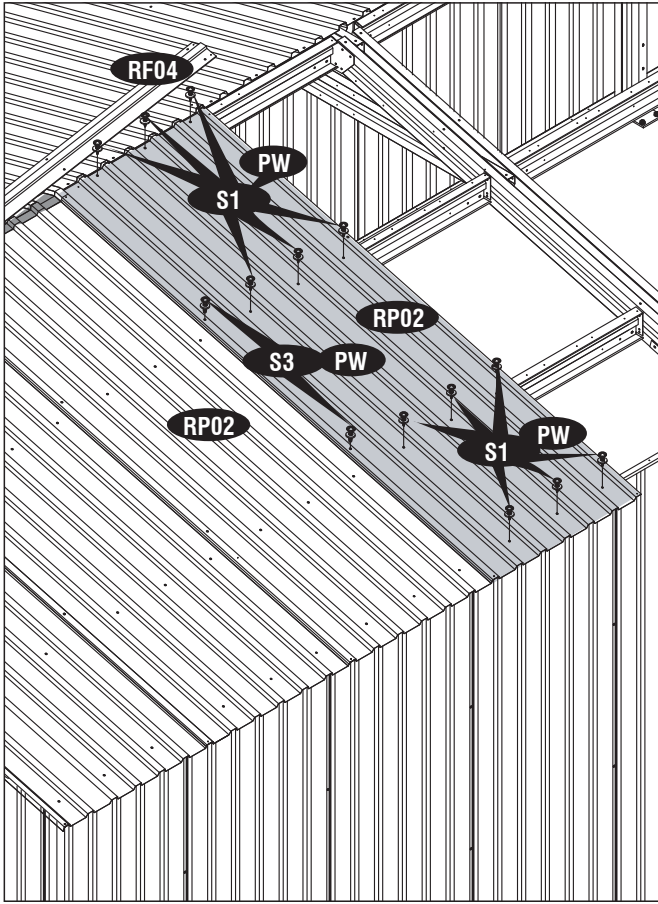
Front

Step - 16

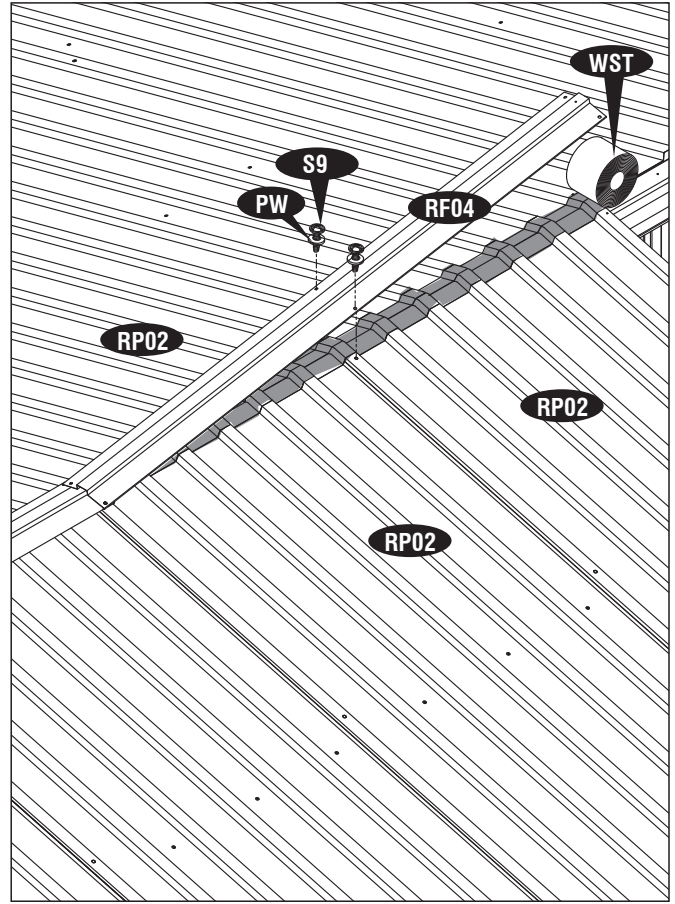


IMPORTANT: USE HAND GLOVES TO PREVENT INJURY.

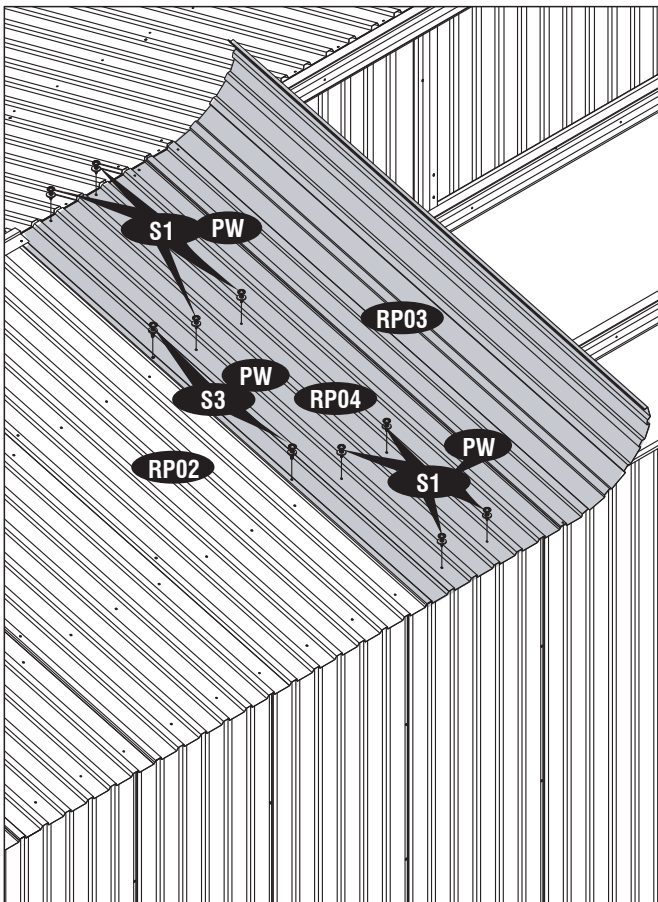
Step - 17



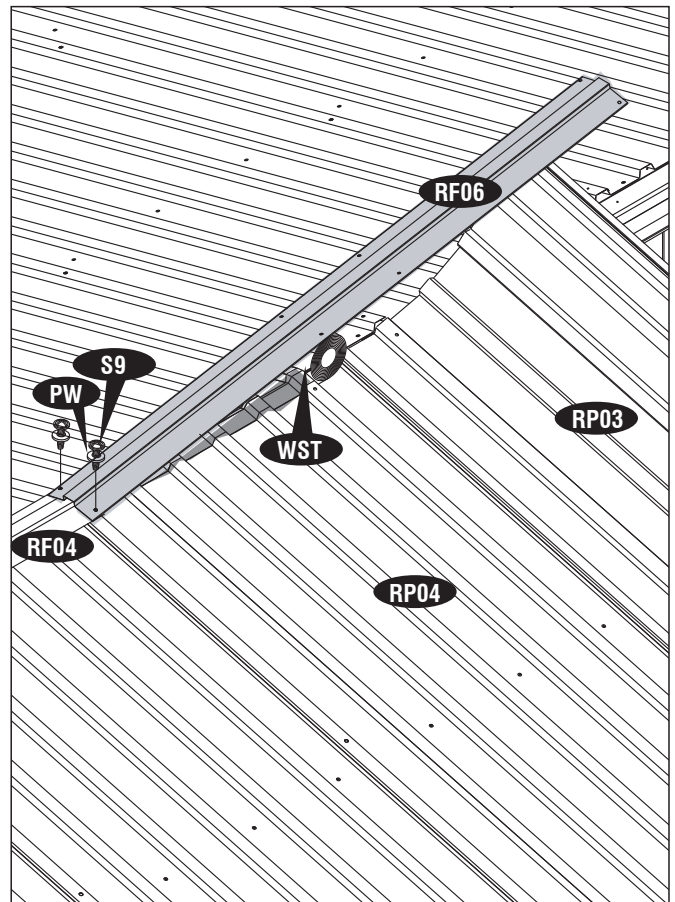
Step - 18



Step - 19

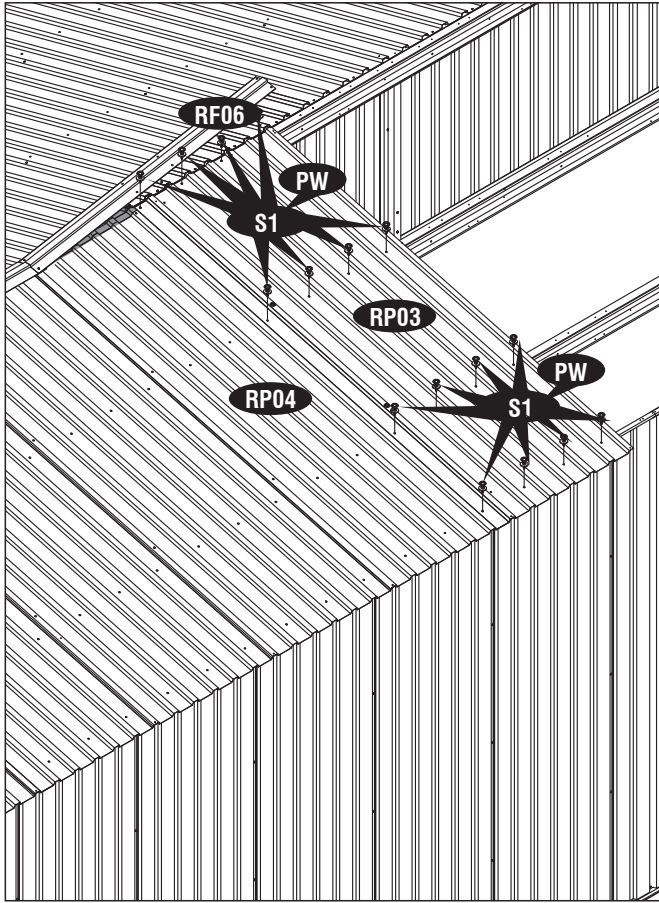


Step - 20

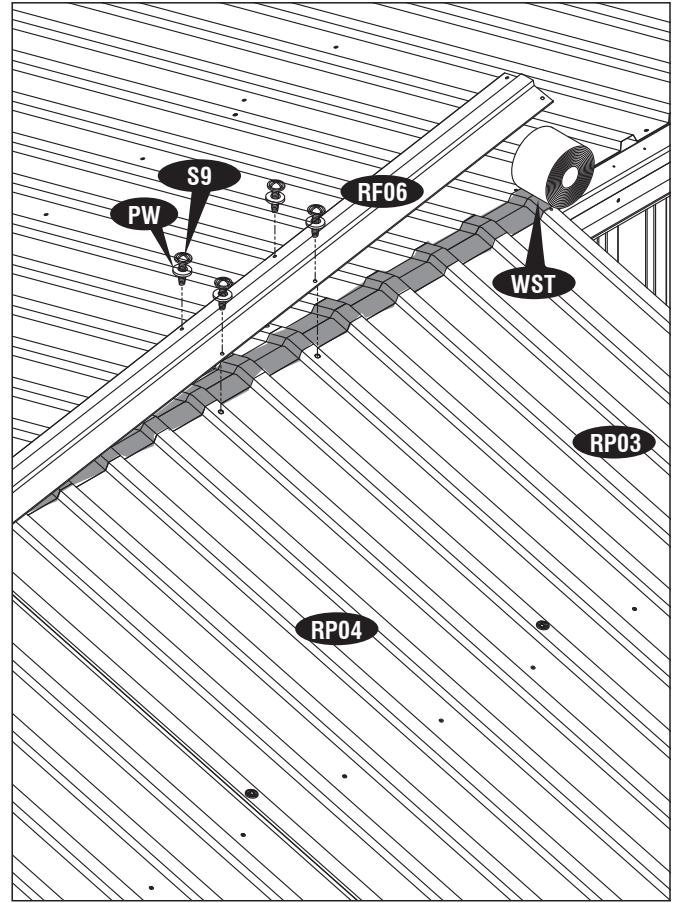


IMPORTANT: USE HAND GLOVES TO PREVENT INJURY.

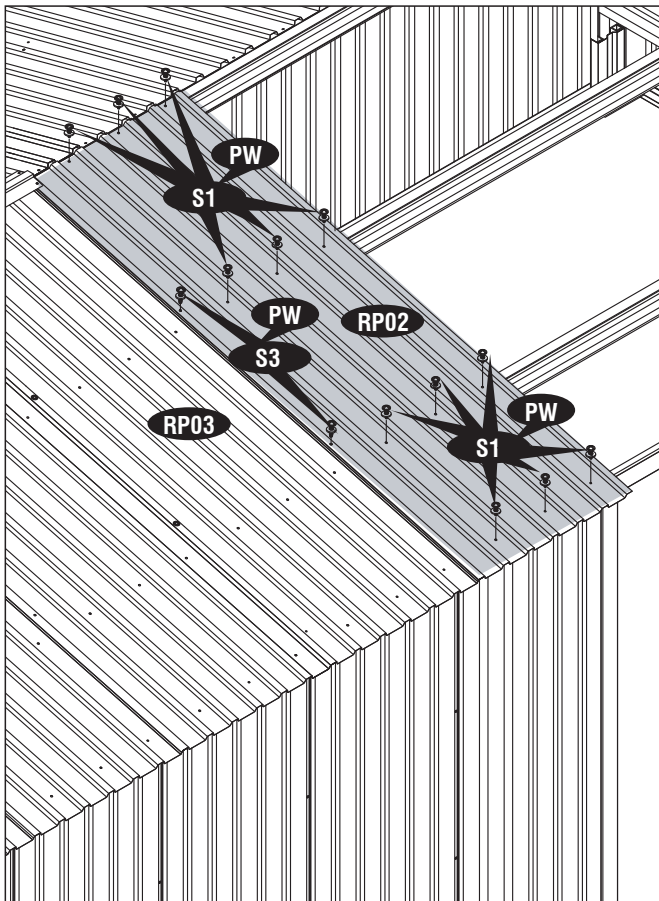
Step - 21



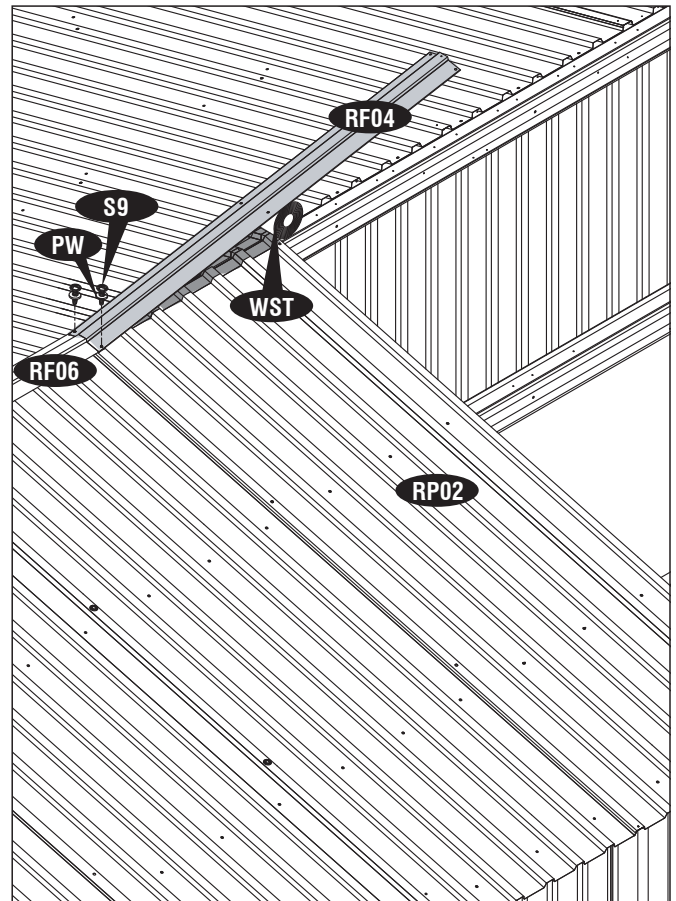
Step - 22



Step - 23

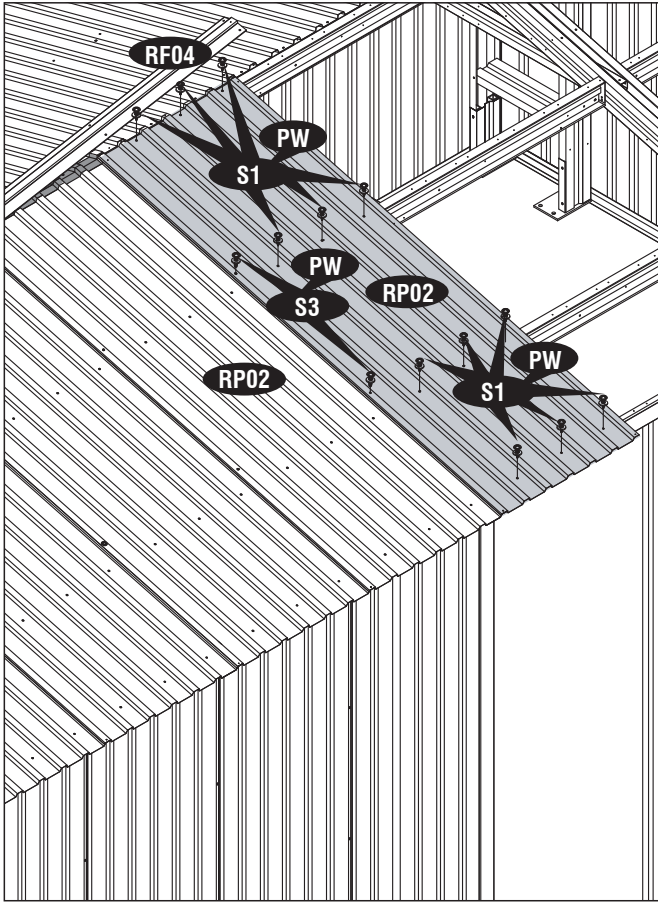


Step - 24

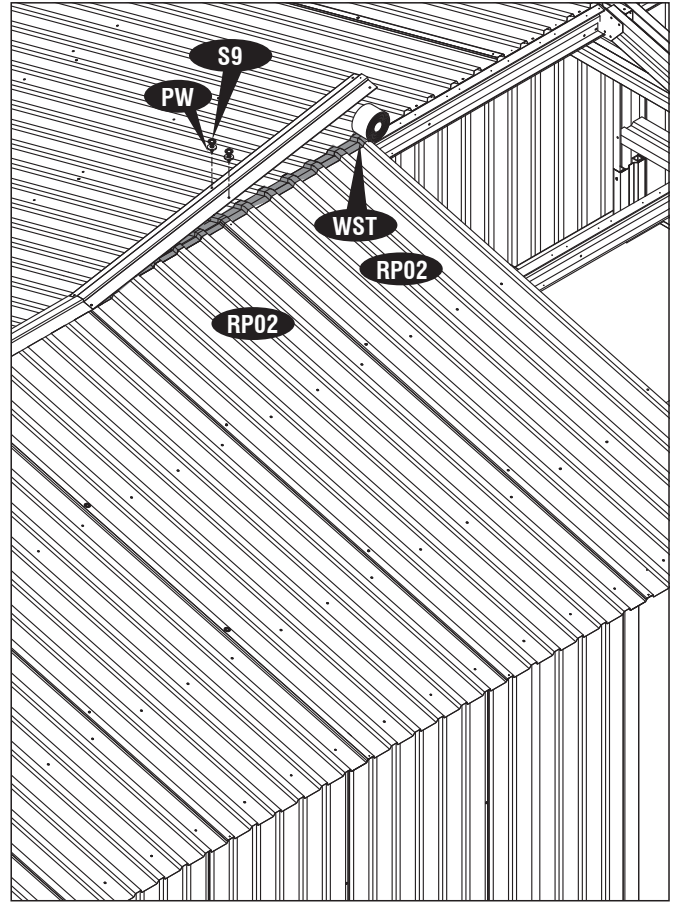


IMPORTANT: USE HAND GLOVES TO PREVENT INJURY.

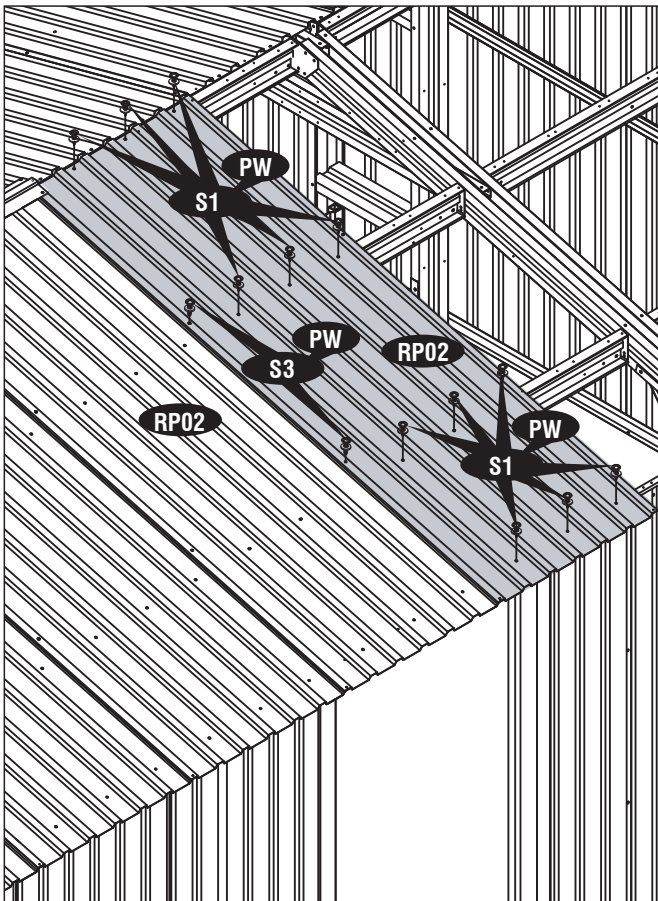
Step - 25



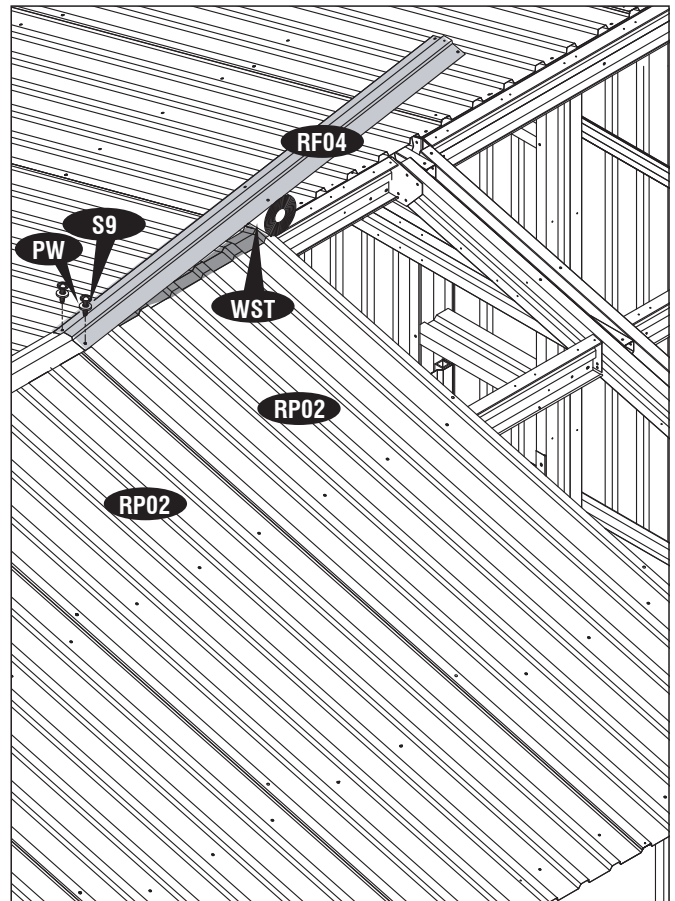
Step - 26



Step - 27

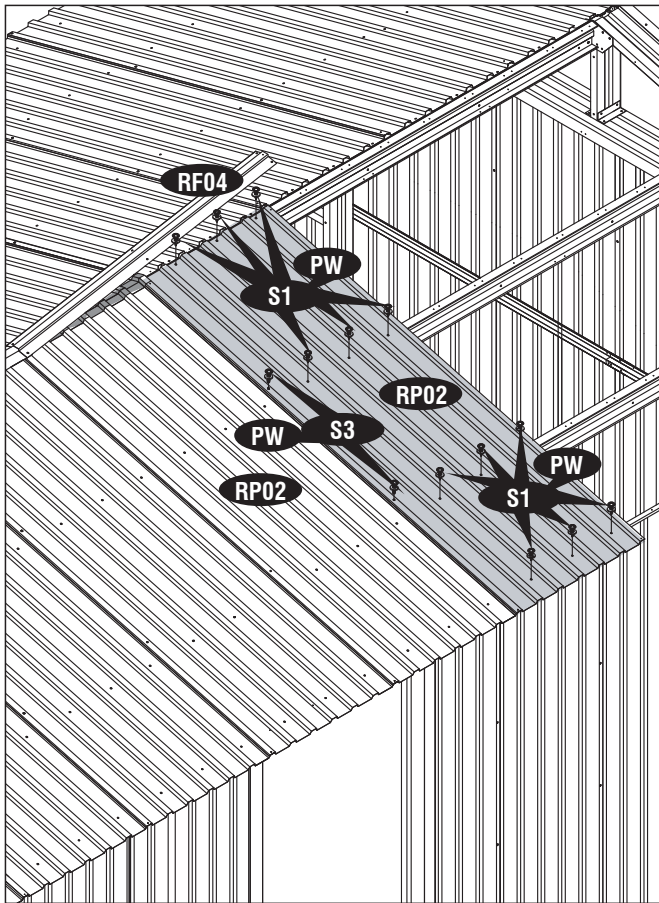


Step - 28

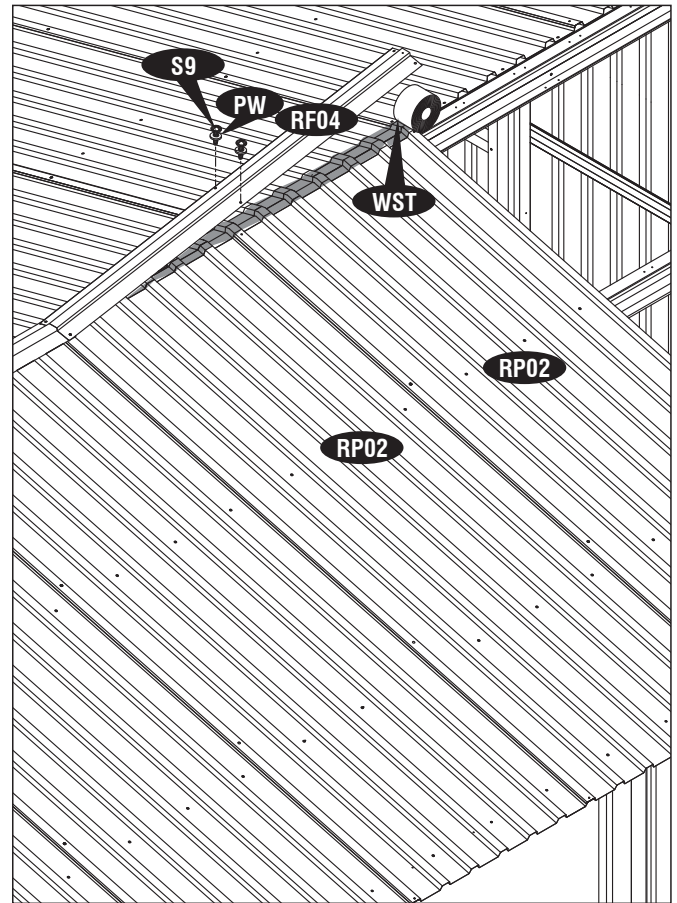


IMPORTANT: USE HAND GLOVES TO PREVENT INJURY.

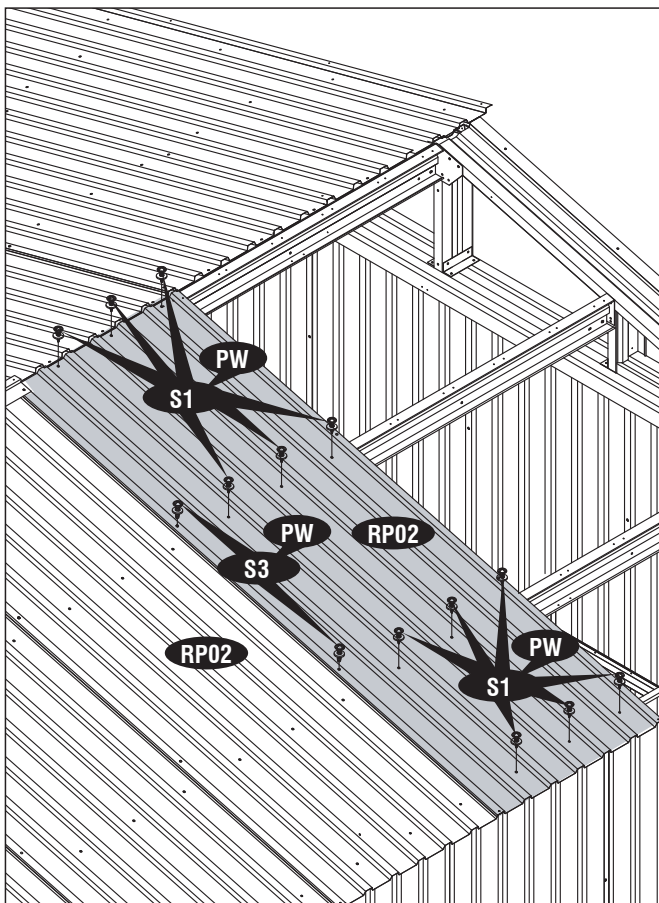
Step - 29



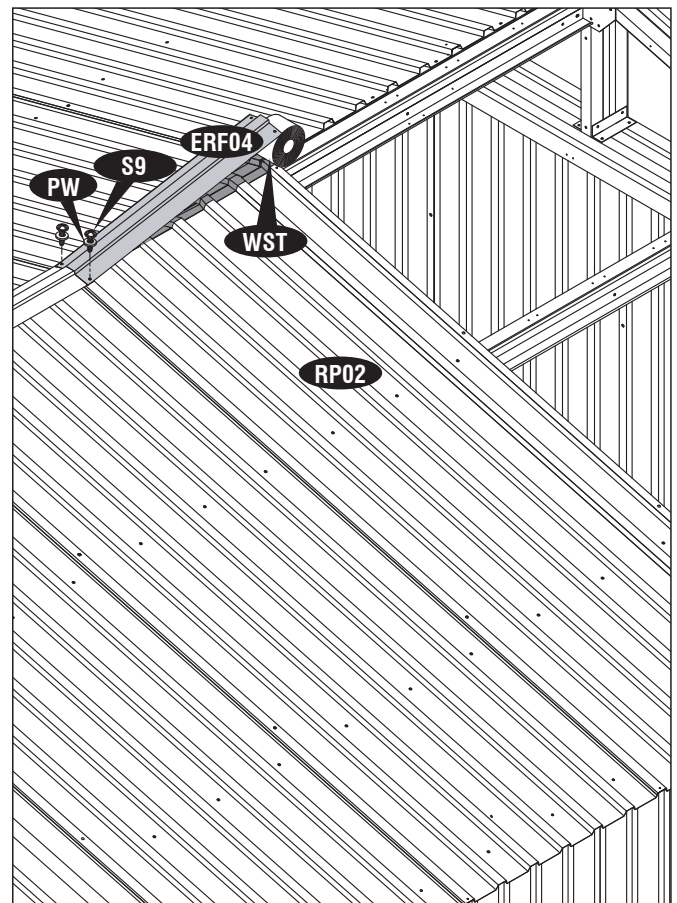
Step - 30



Step - 31

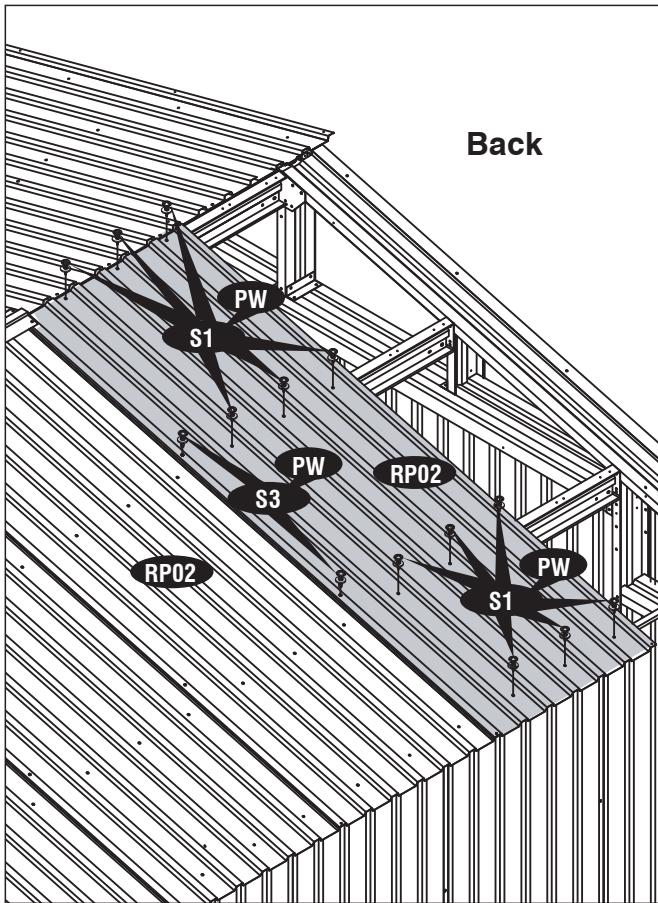


Step - 32

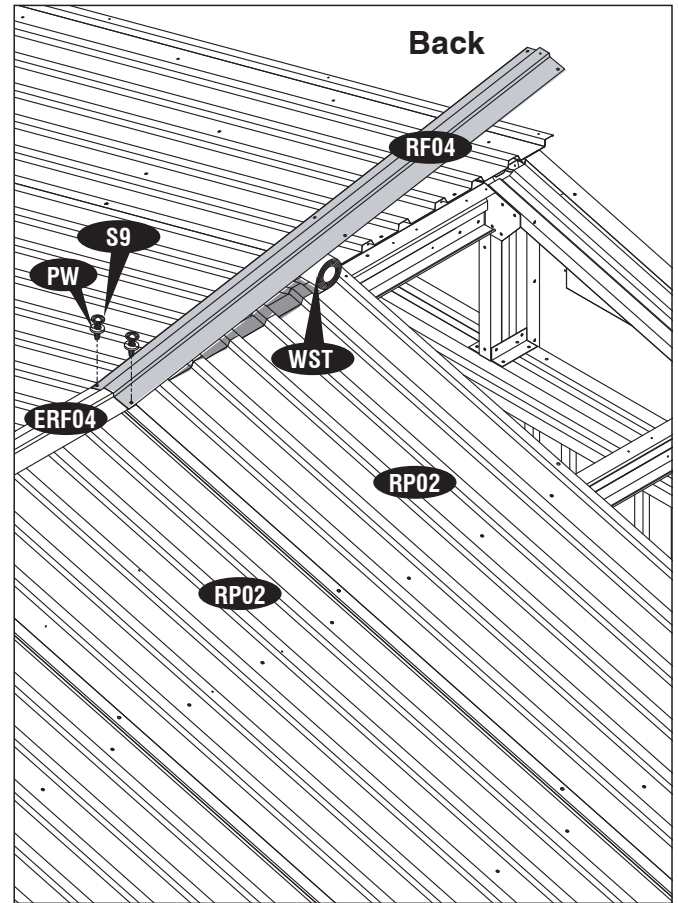


IMPORTANT: USE HAND GLOVES TO PREVENT INJURY.

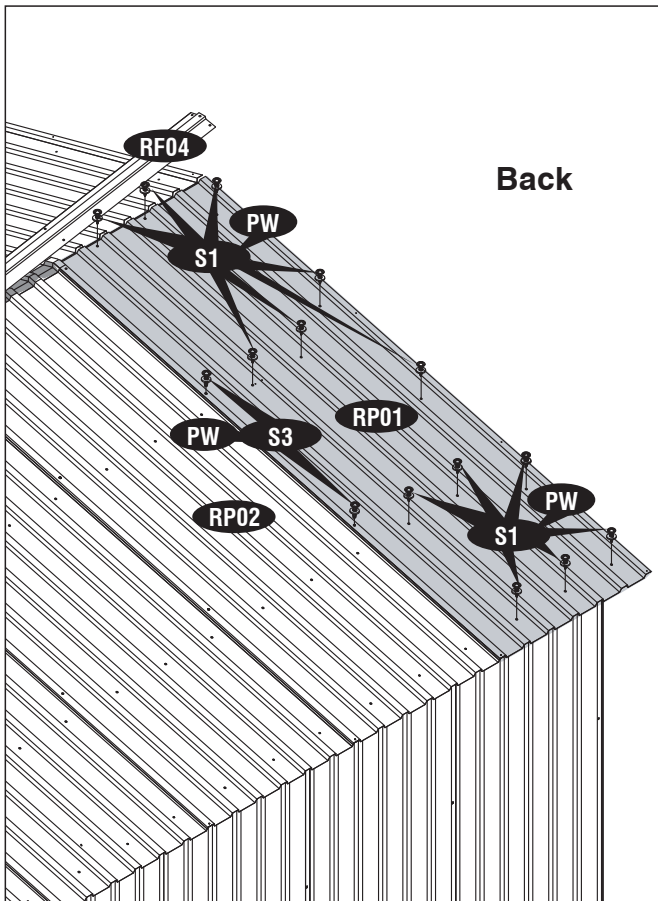
Step - 33



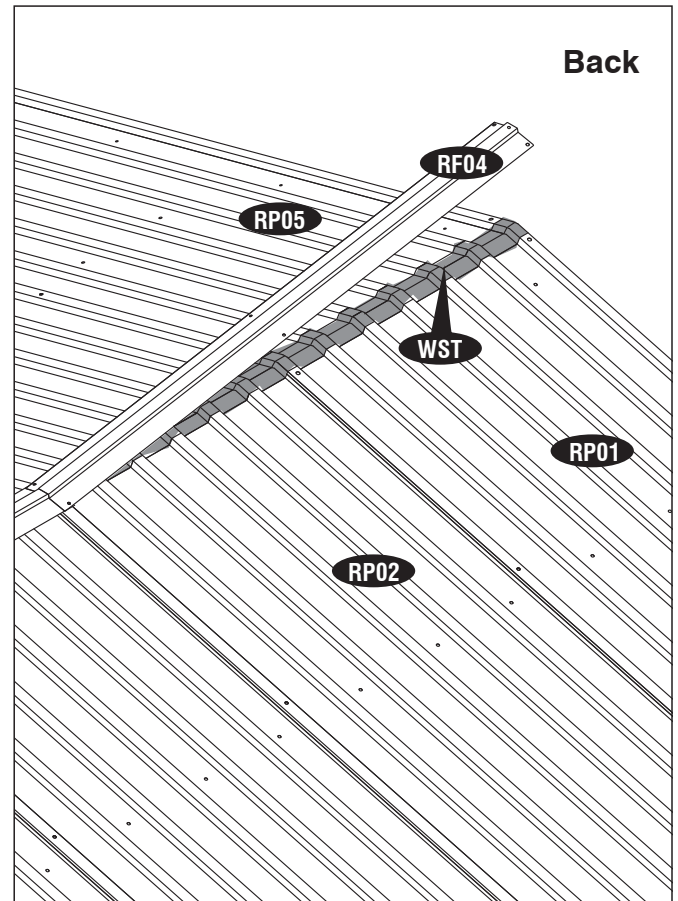
Step - 34



Step - 35

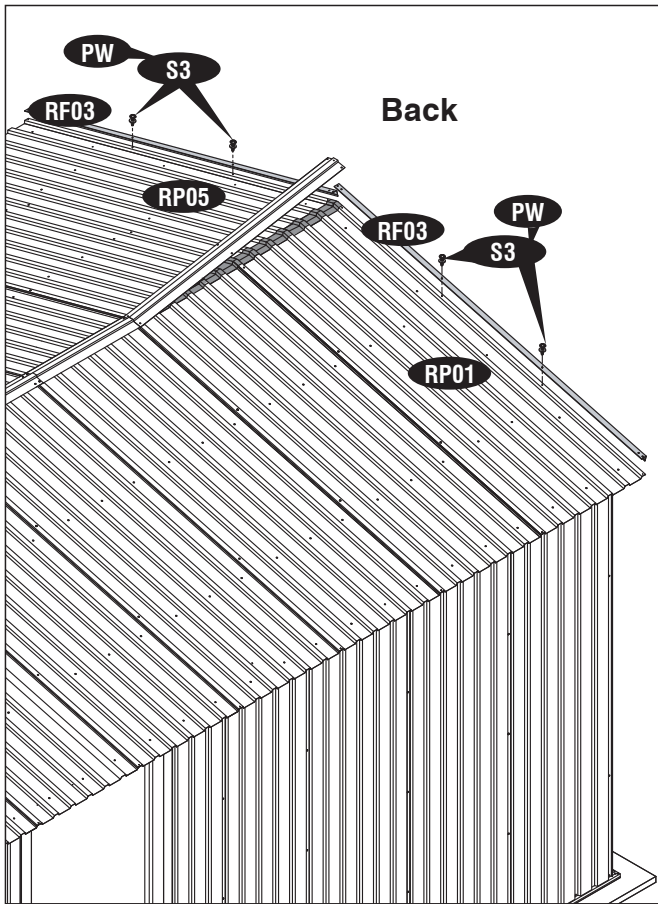


Step - 36

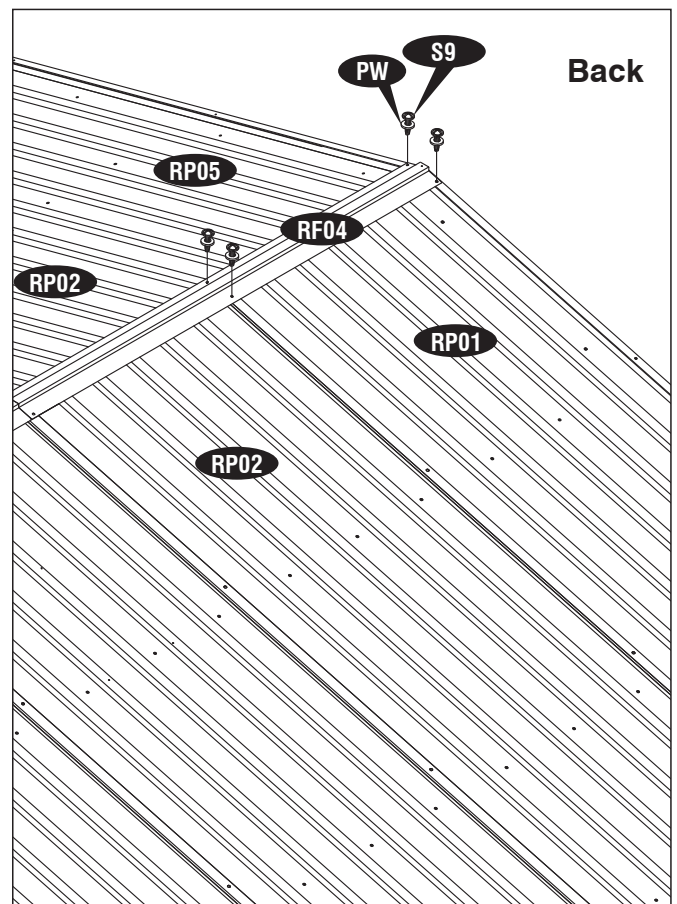


IMPORTANT: USE HAND GLOVES TO PREVENT INJURY.

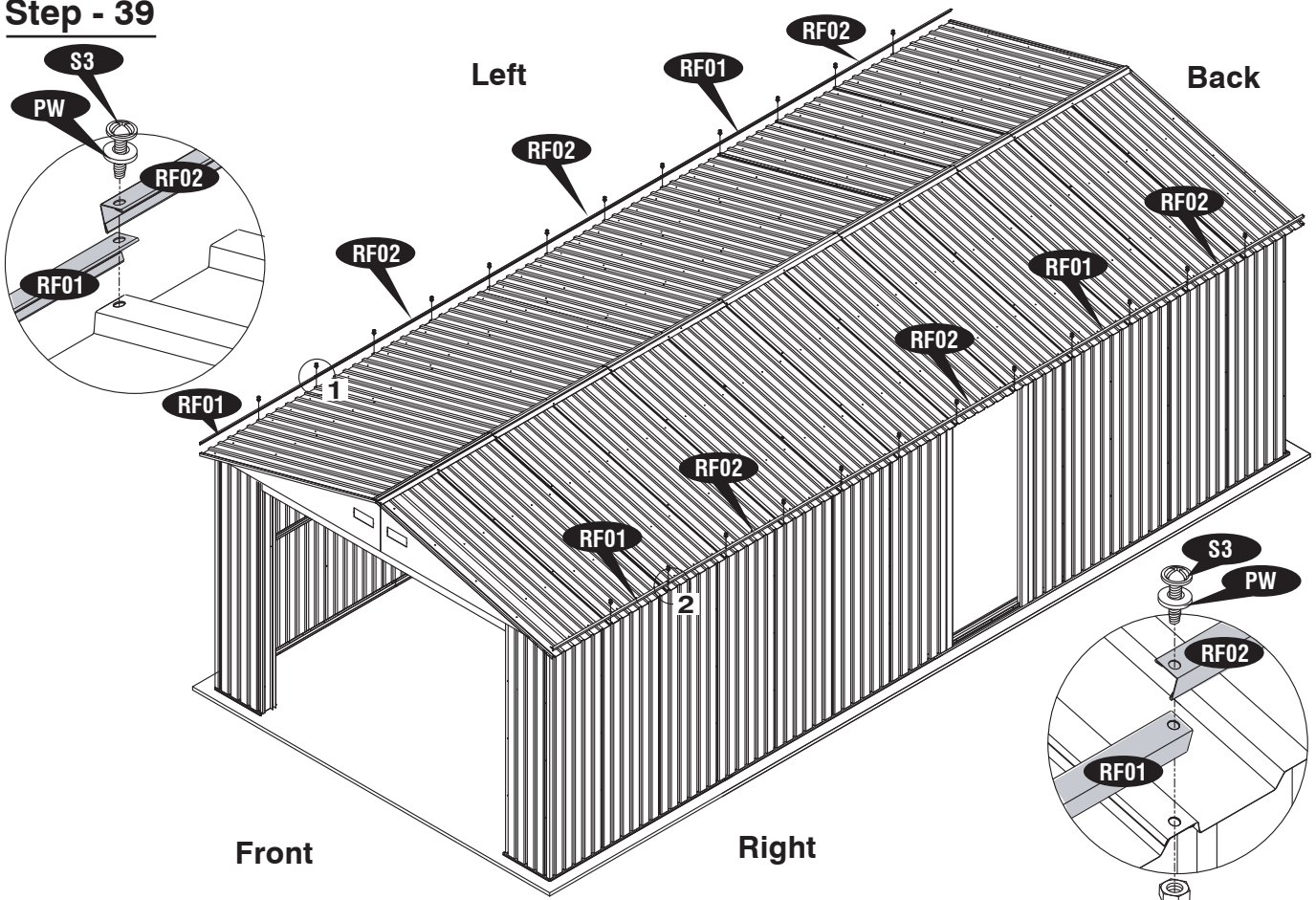
Step - 37



Step - 38



Step - 39



IMPORTANT: USE HAND GLOVES TO PREVENT INJURY.

Step - 40

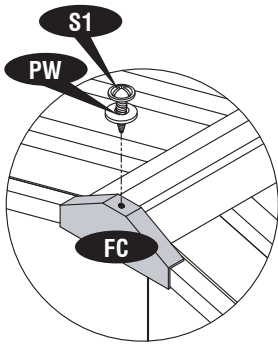


Fig.1

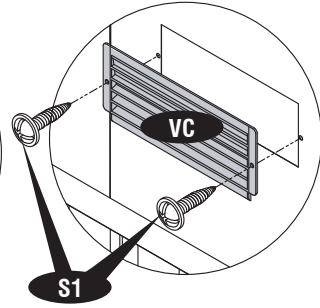


Fig.2

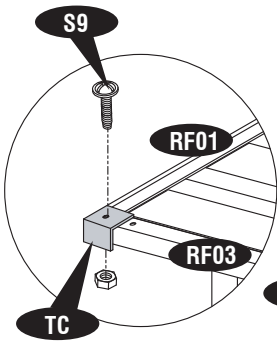


Fig.3

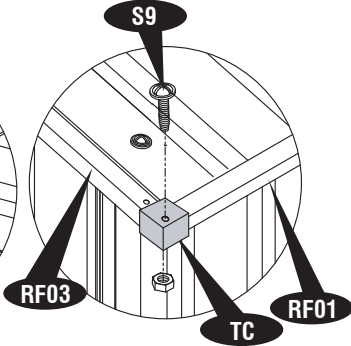
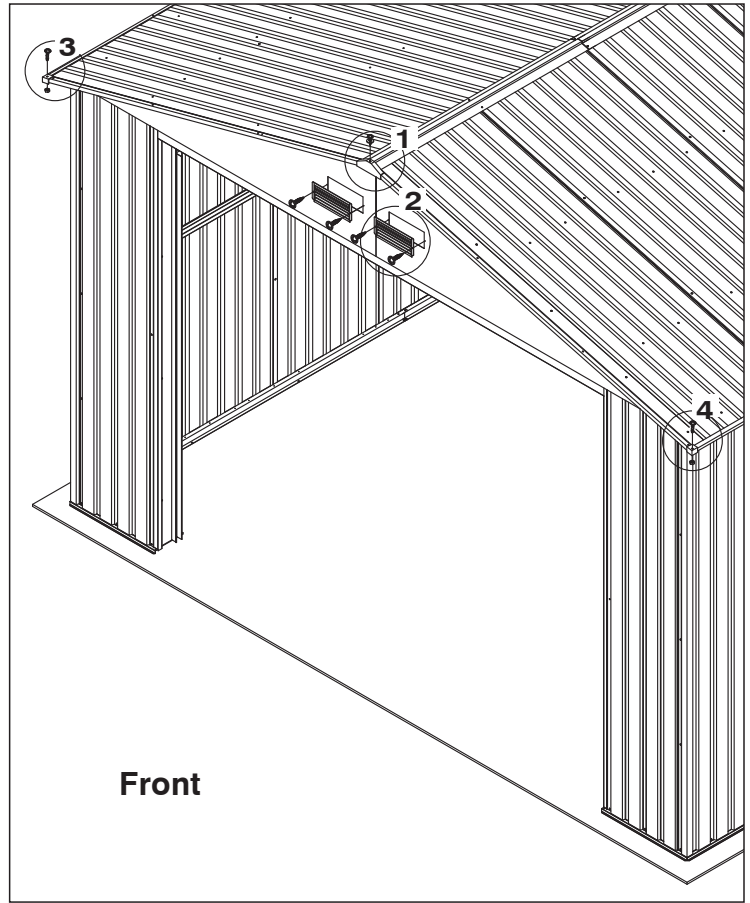


Fig.4



Front

Step - 41

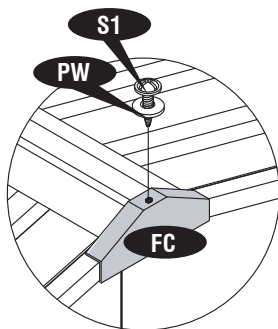


Fig.1

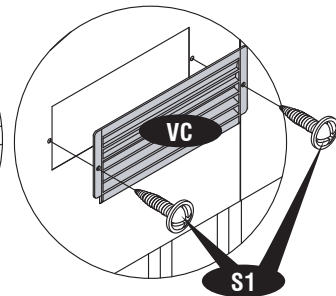


Fig.2

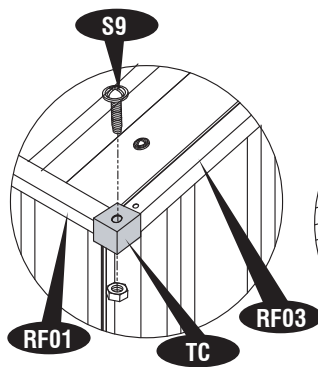


Fig.3

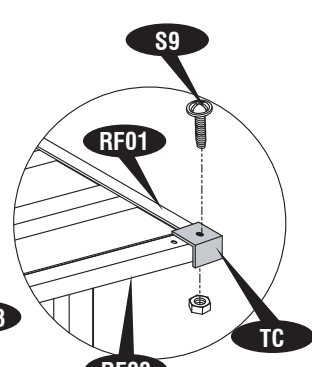
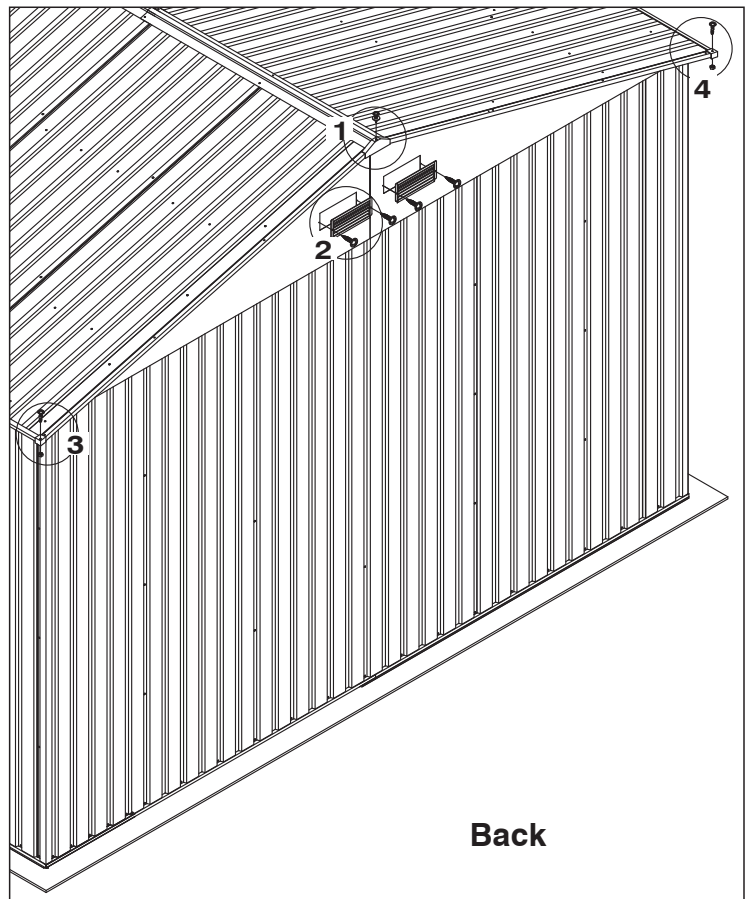


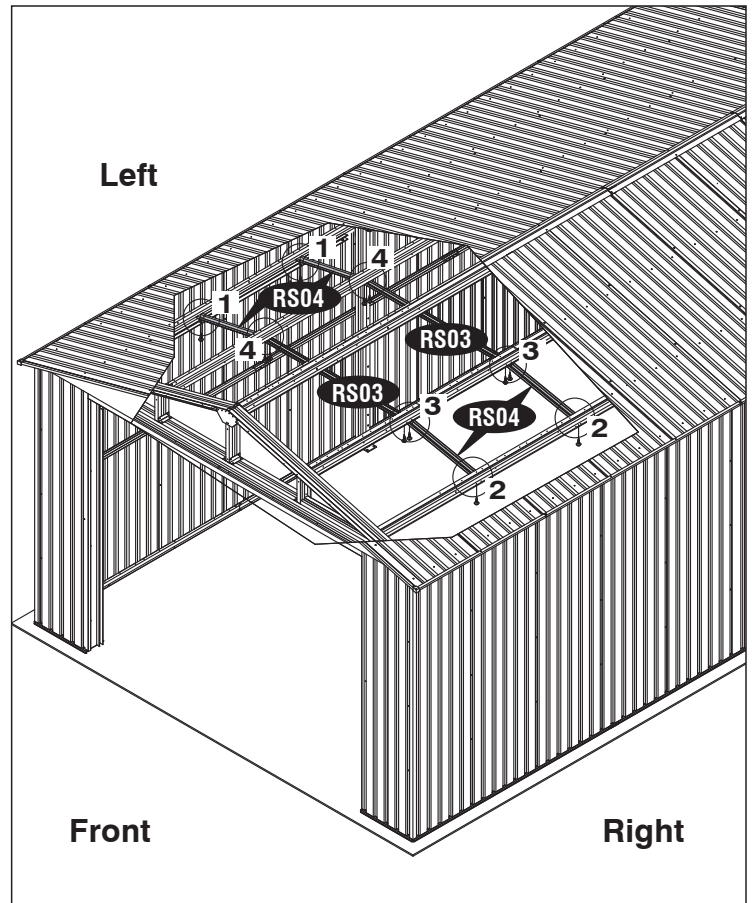
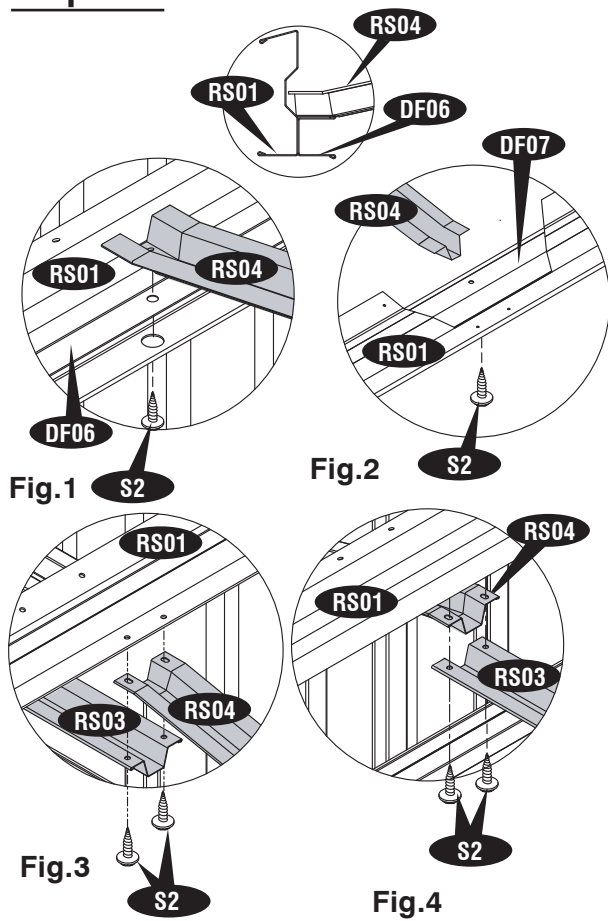
Fig.4



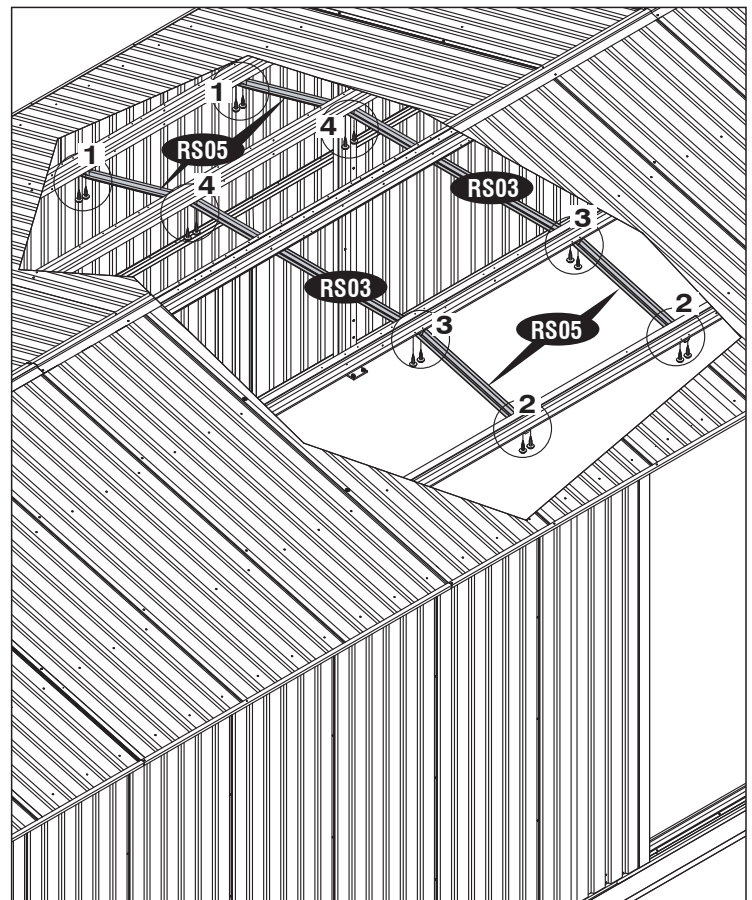
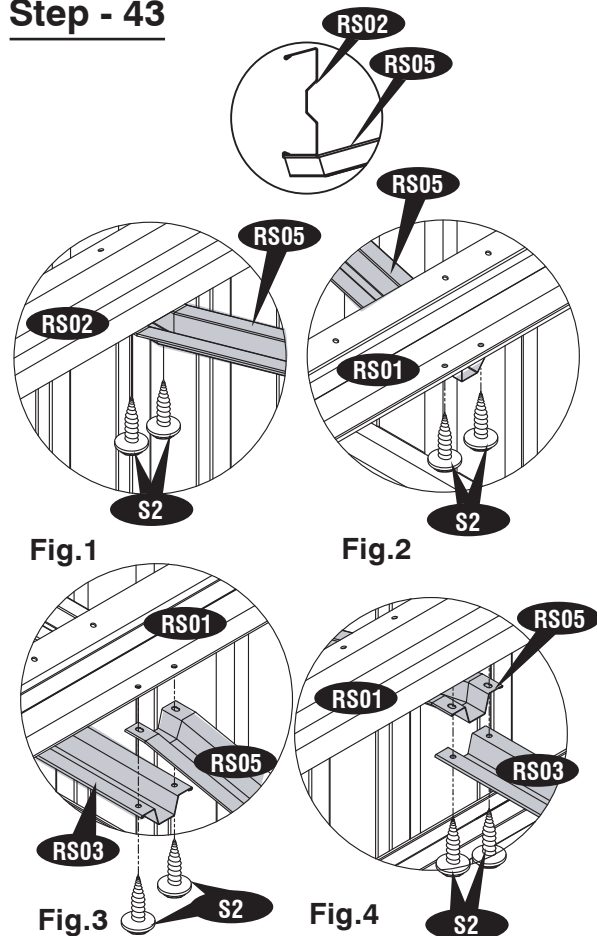
Back

IMPORTANT: USE HAND GLOVES TO PREVENT INJURY.

Step - 42



Step - 43



Step - 44

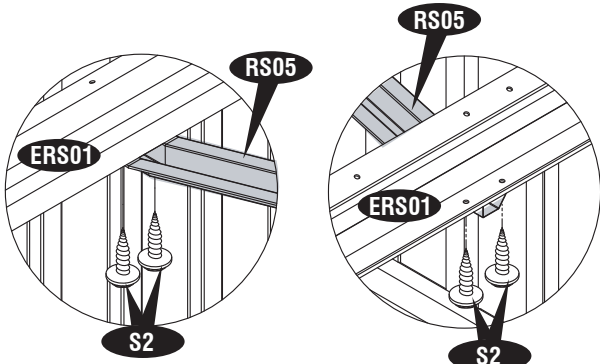


Fig.1

Fig.2

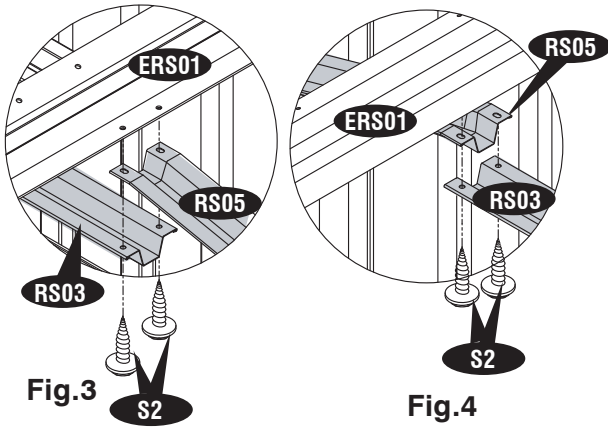
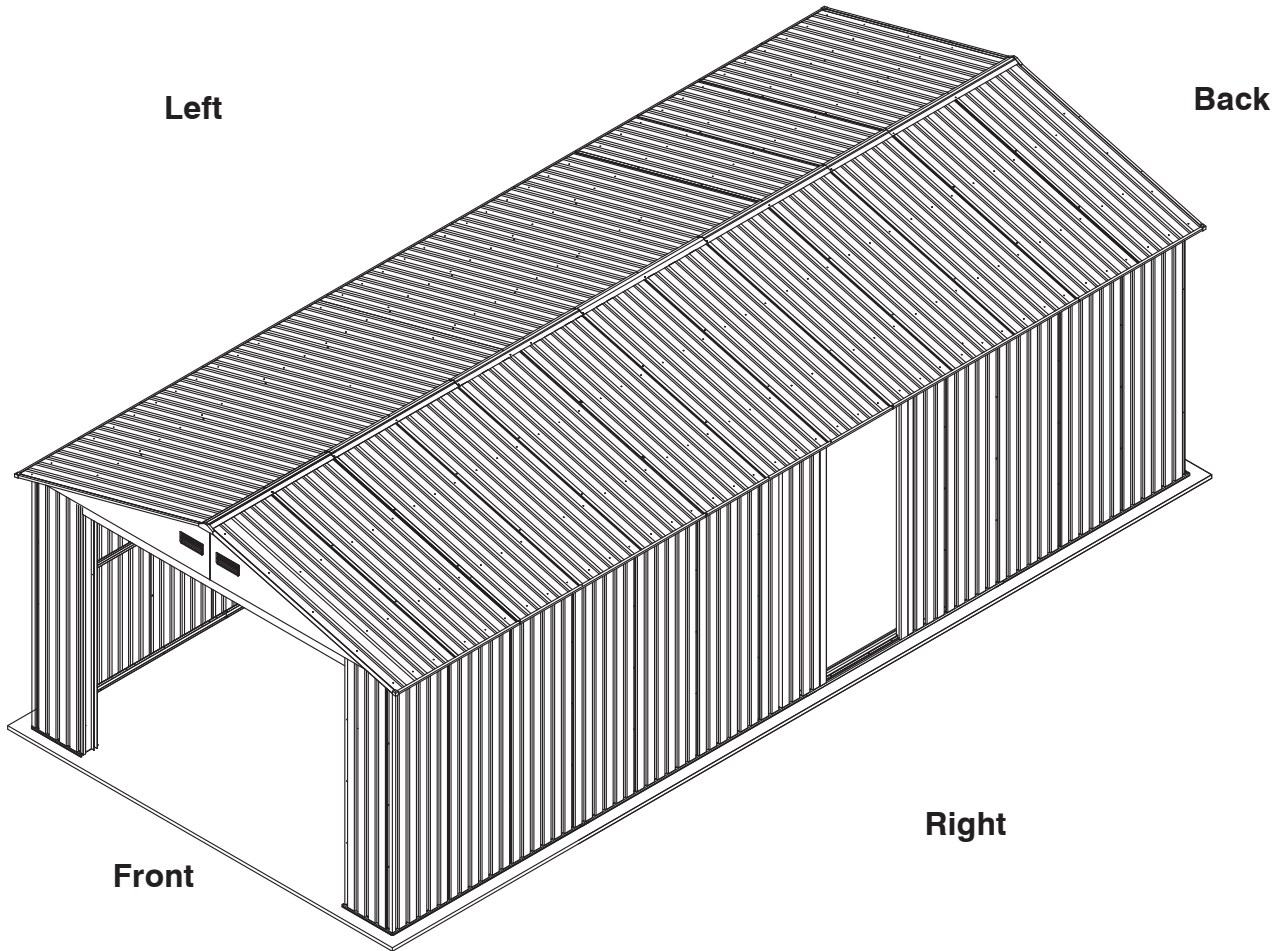
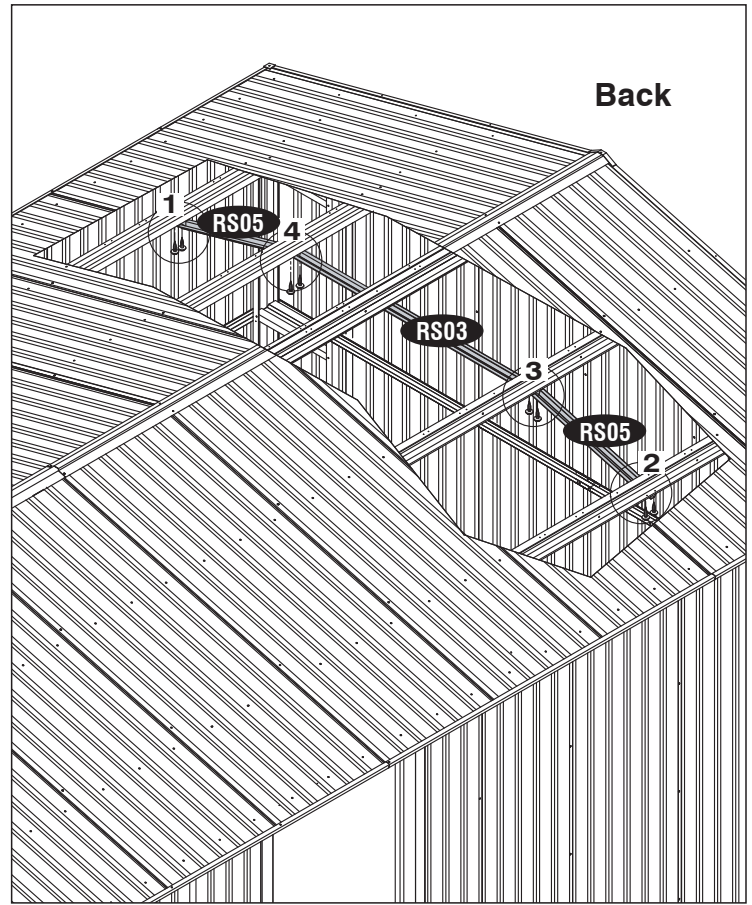


Fig.3

Fig.4



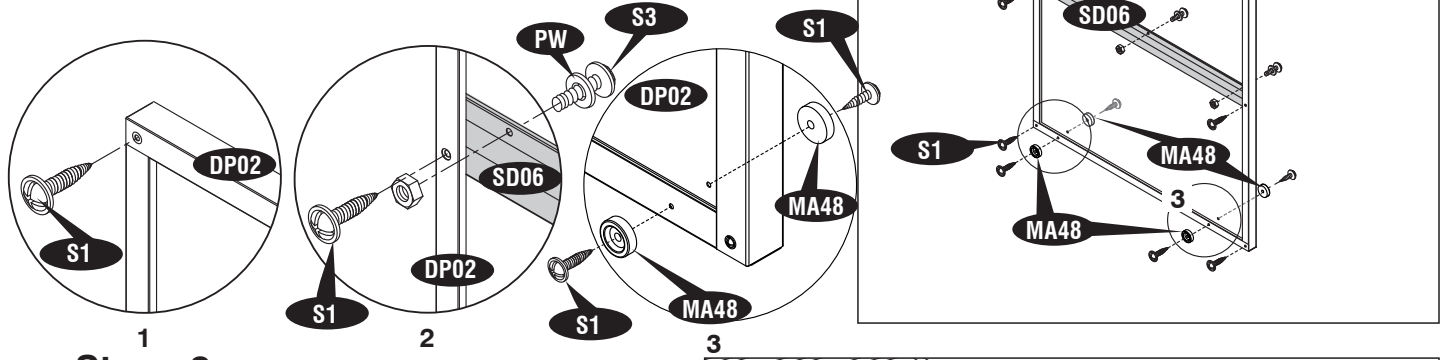
IMPORTANT: USE HAND GLOVES TO PREVENT INJURY.

G. Assembly and Installations of Front & Side Door

Parts Needed:

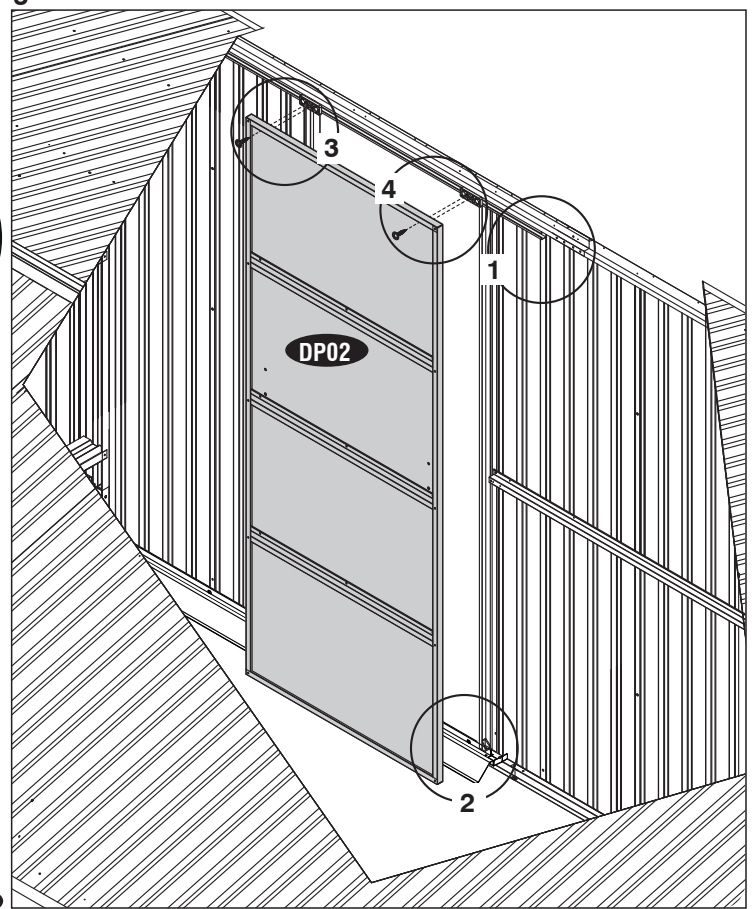
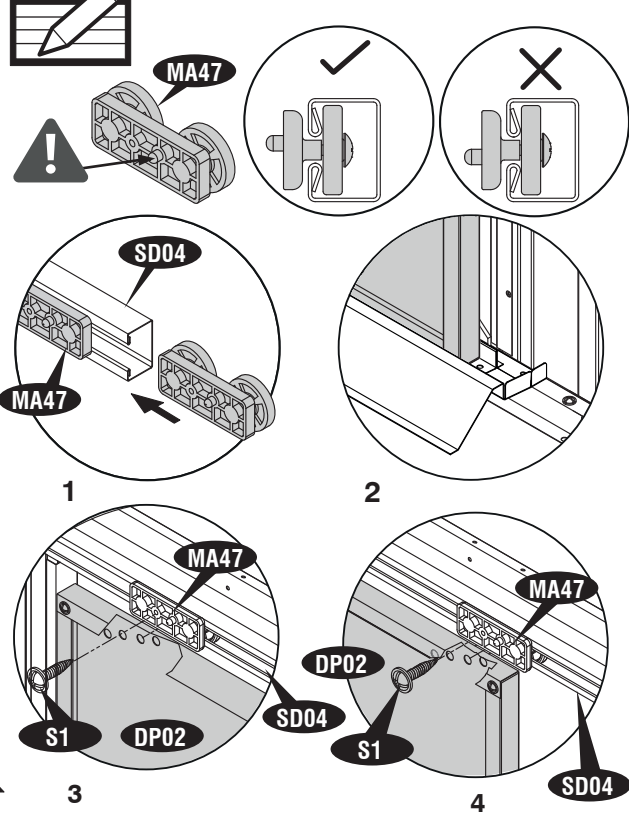
Code	Qty.	Code	Qty.
SP01	2	BS	3
SP02	1	MA47	2
SP03	1	MA48	4
DS01	1	DH	3
DS02	1	FDH	2
DS03	4	CW	1
DP02	1	CU	2
SD06	3	STC	5.1mtr
BS15	2	S1	22
BS16	2	S2	4
BS17	1	S3	66
WBA	10	S9	6
DF08	1	PW	63
DF09	1	PC	7 Slabs
DF10	1	EDP1 (4.28mtr)	2
		EDP2 (2.04 mtr)	2
		EDP3 (2.14 mtr)	2

Step - 1



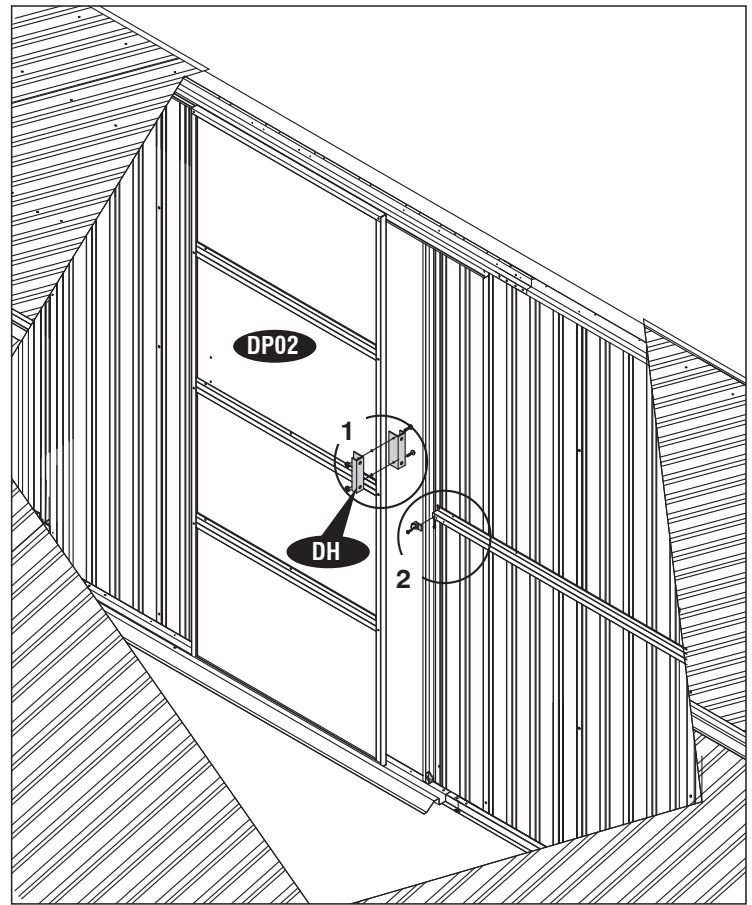
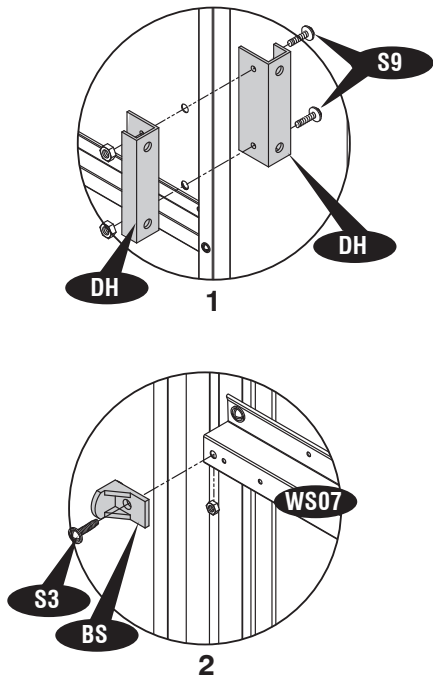
Step - 2

Note Use suitable holes on door to align.



IMPORTANT: USE HAND GLOVES TO PREVENT INJURY.

Step - 3



Step - 4

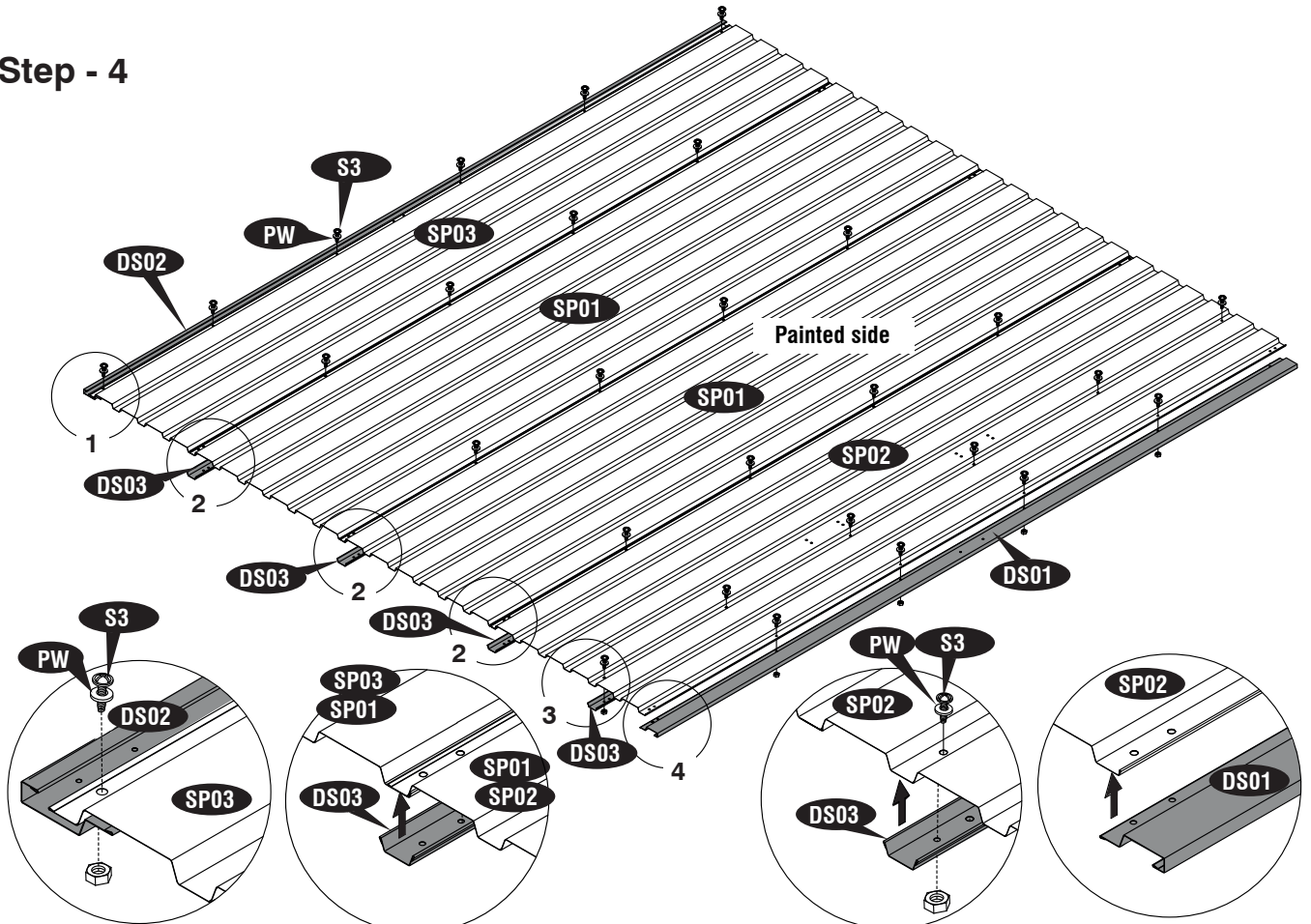


Fig.1

Fig.2

Fig.3

Fig.4

IMPORTANT: USE HAND GLOVES TO PREVENT INJURY.

Step - 5

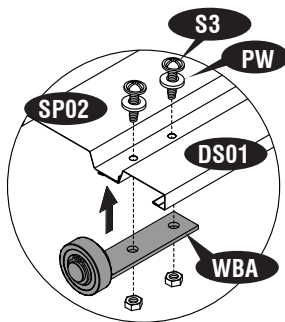
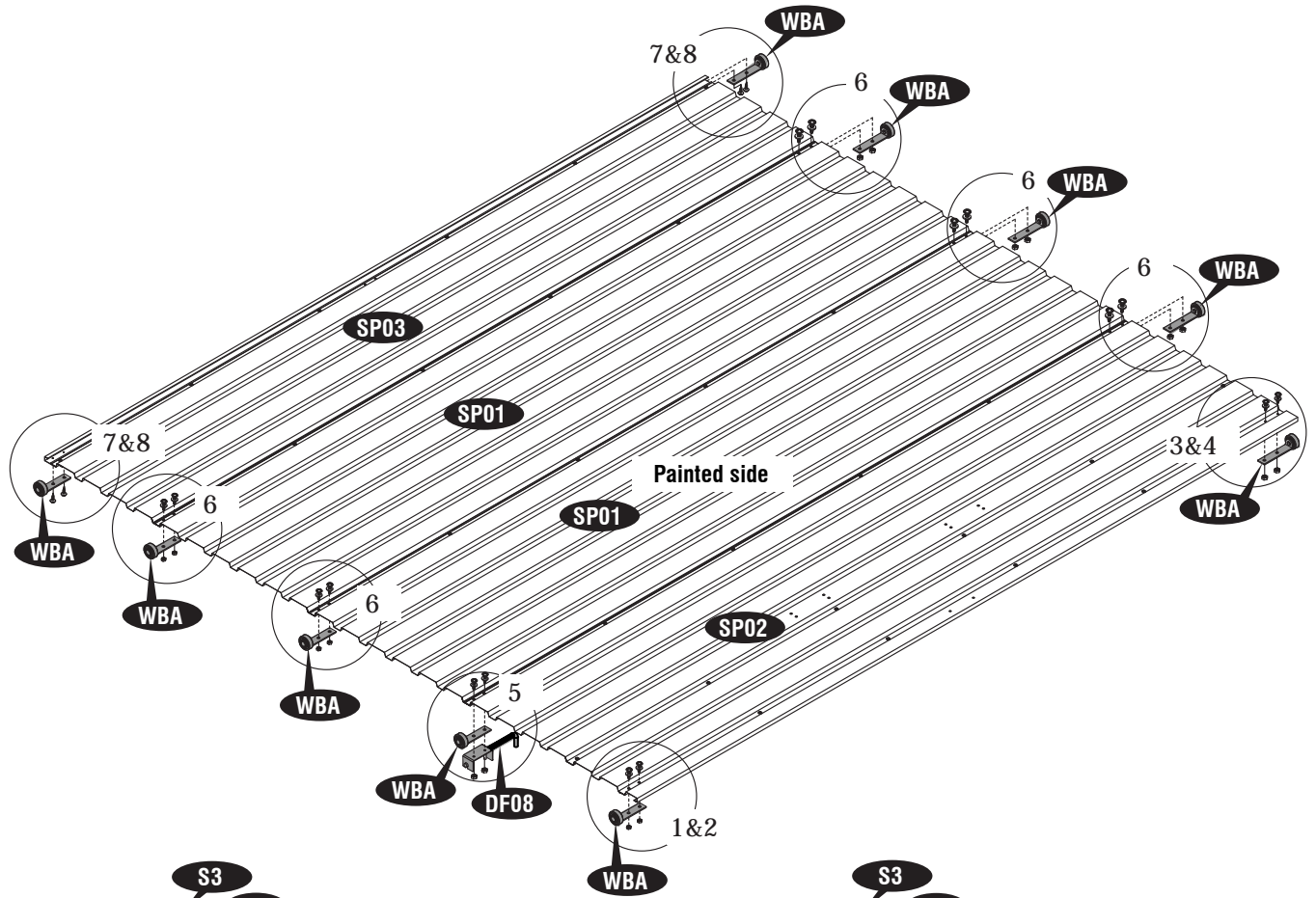


Fig.1

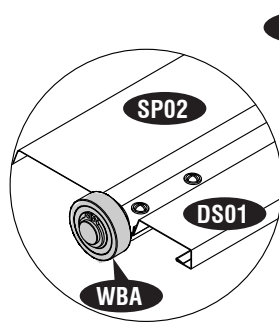


Fig.2

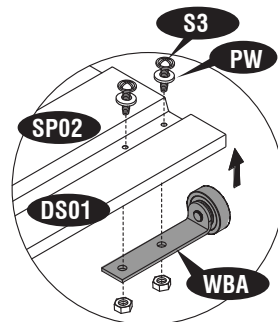


Fig.3

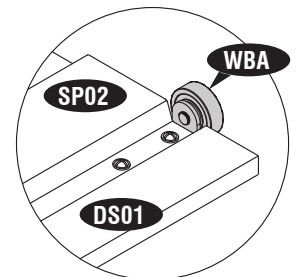


Fig.4

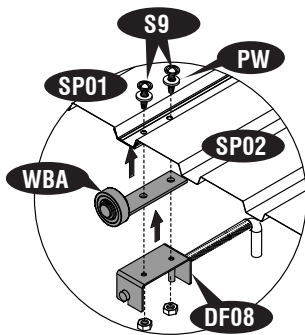


Fig.5

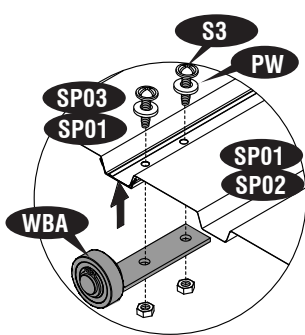


Fig.6

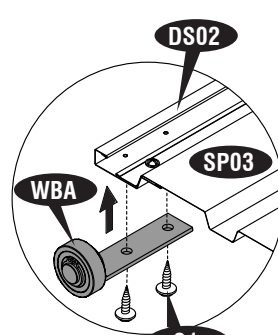


Fig.7

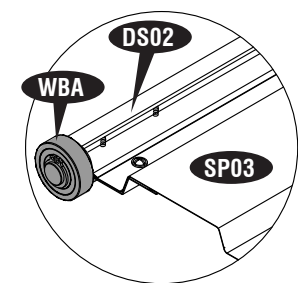
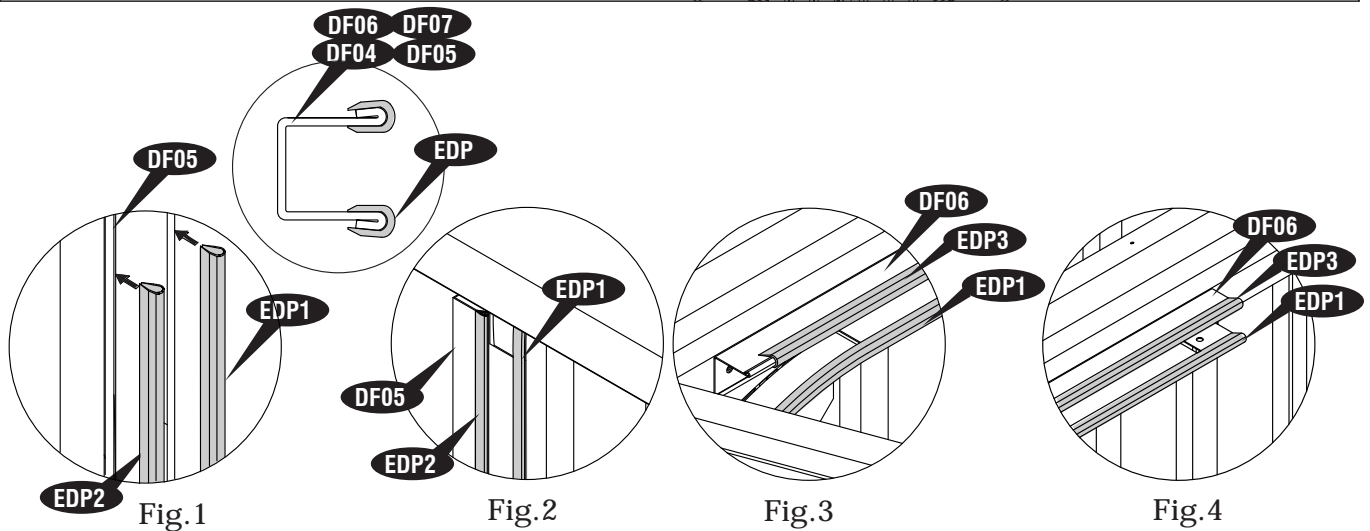
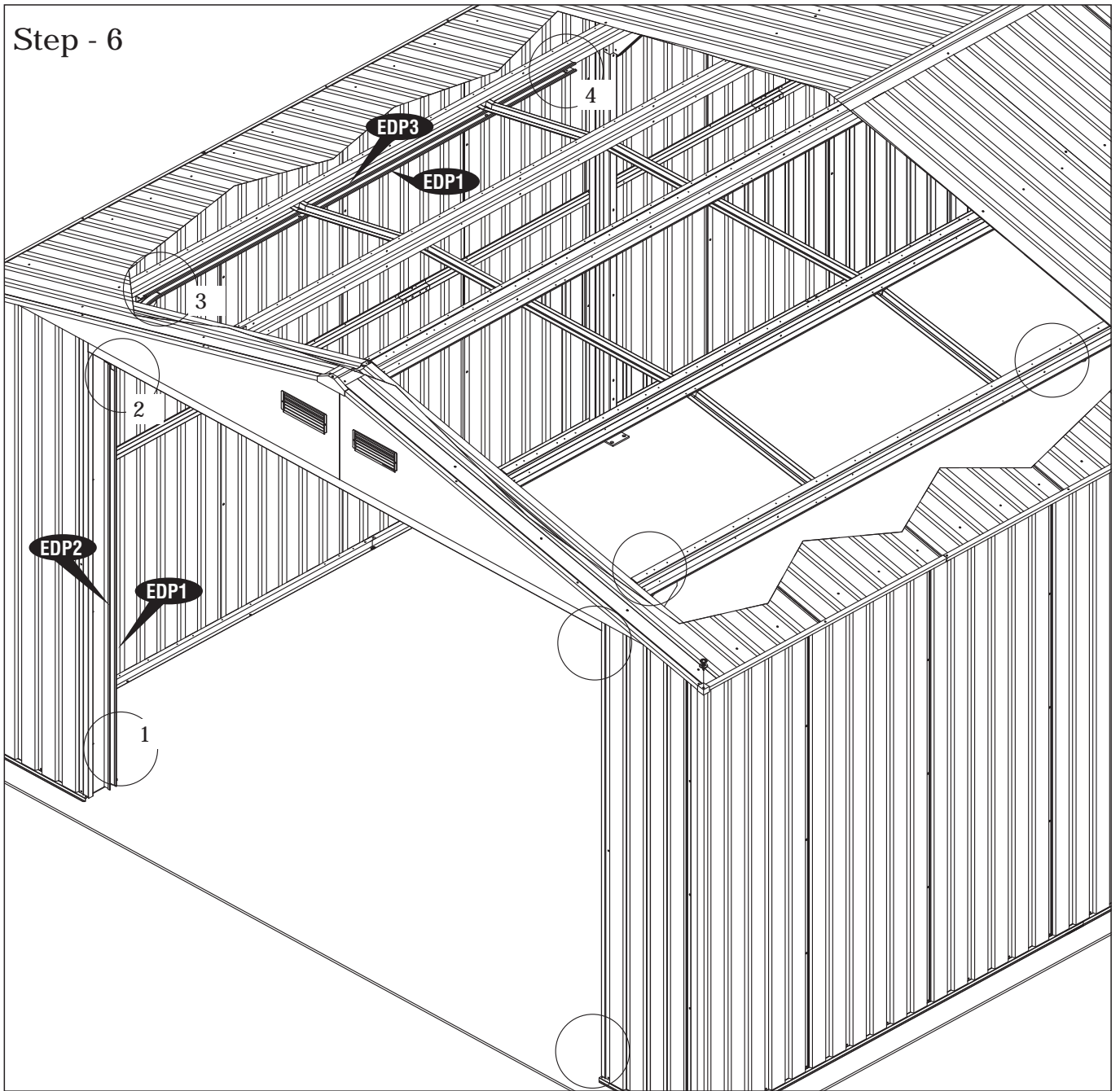


Fig.8



IMPORTANT: USE HAND GLOVES TO PREVENT INJURY.

Step - 6



IMPORTANT: USE HAND GLOVES TO PREVENT INJURY.

Step - 7

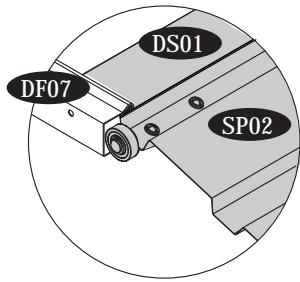


Fig. 1

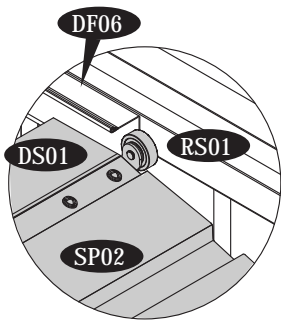
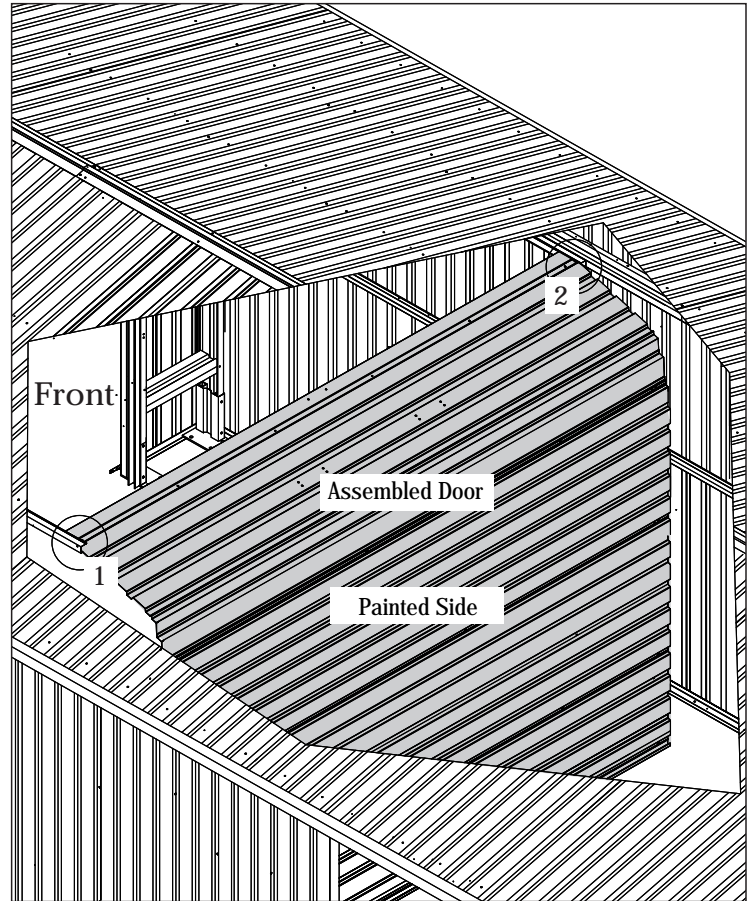


Fig. 2



Step - 8

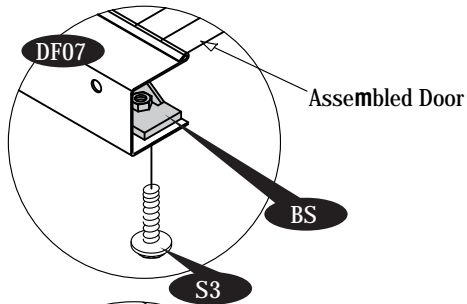


Fig. 1

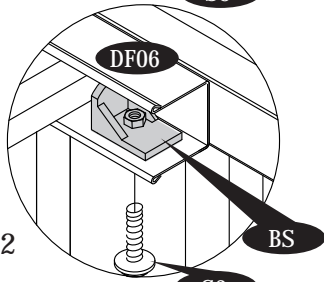


Fig. 2

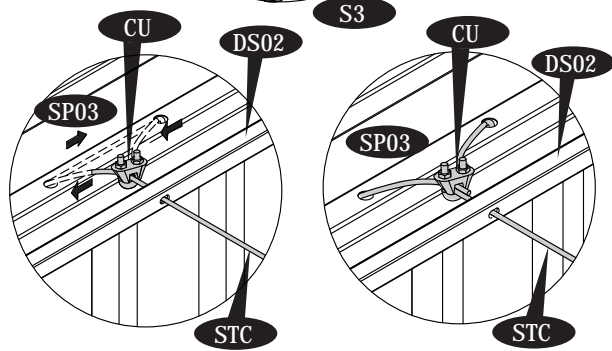
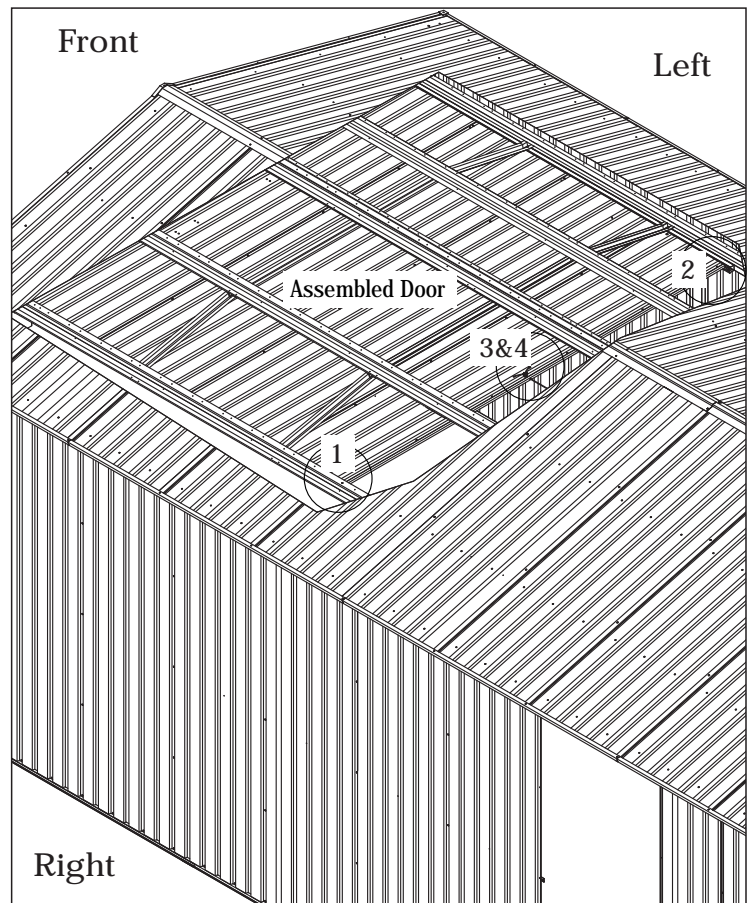


Fig. 3

Fig. 4



Step -9

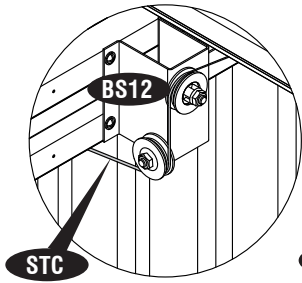


Fig.1

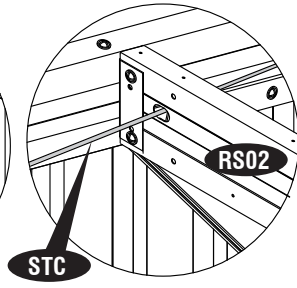


Fig.2

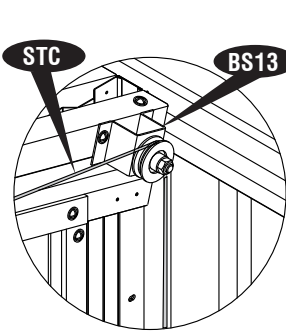


Fig.3

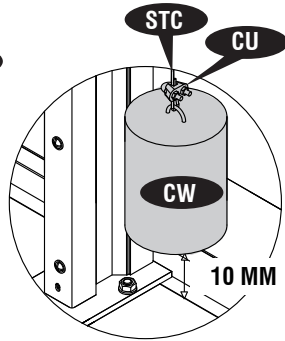
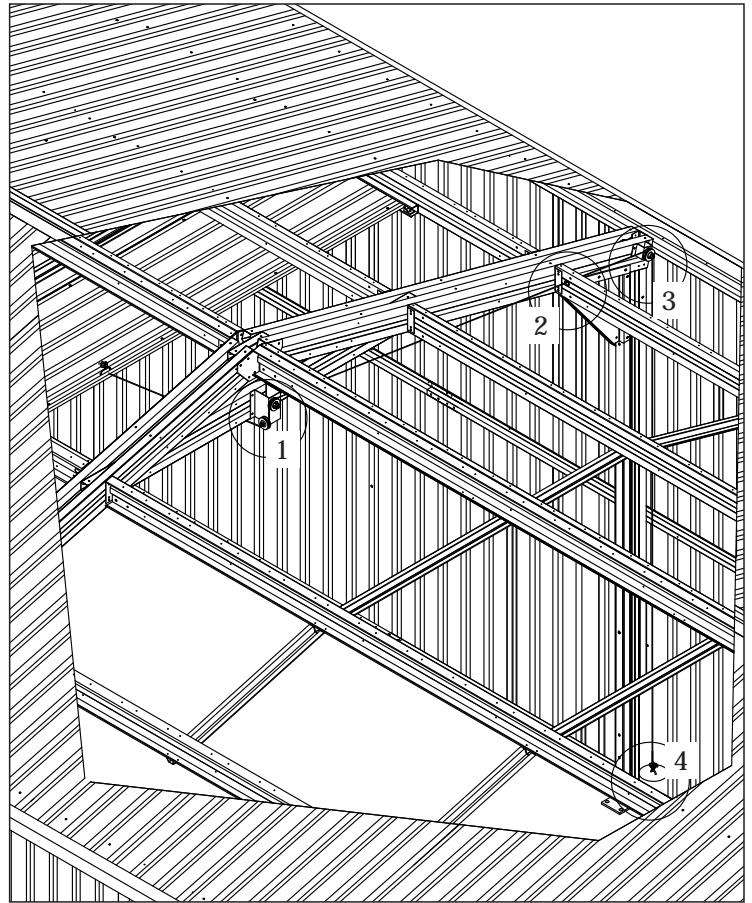


Fig.4



Step - 10

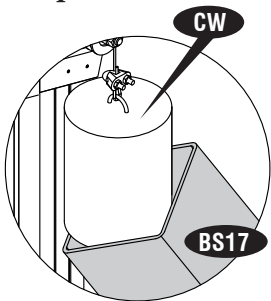


Fig.1

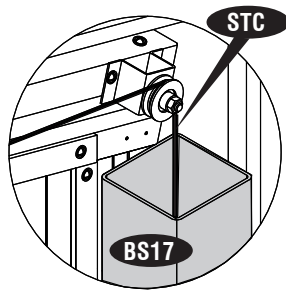


Fig.2

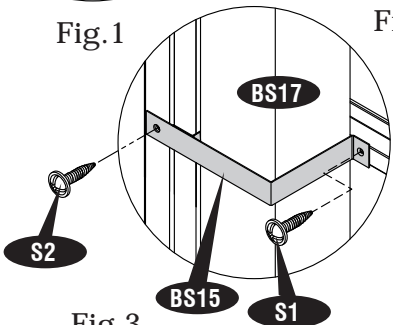


Fig.3

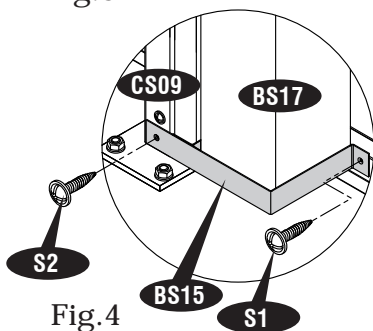
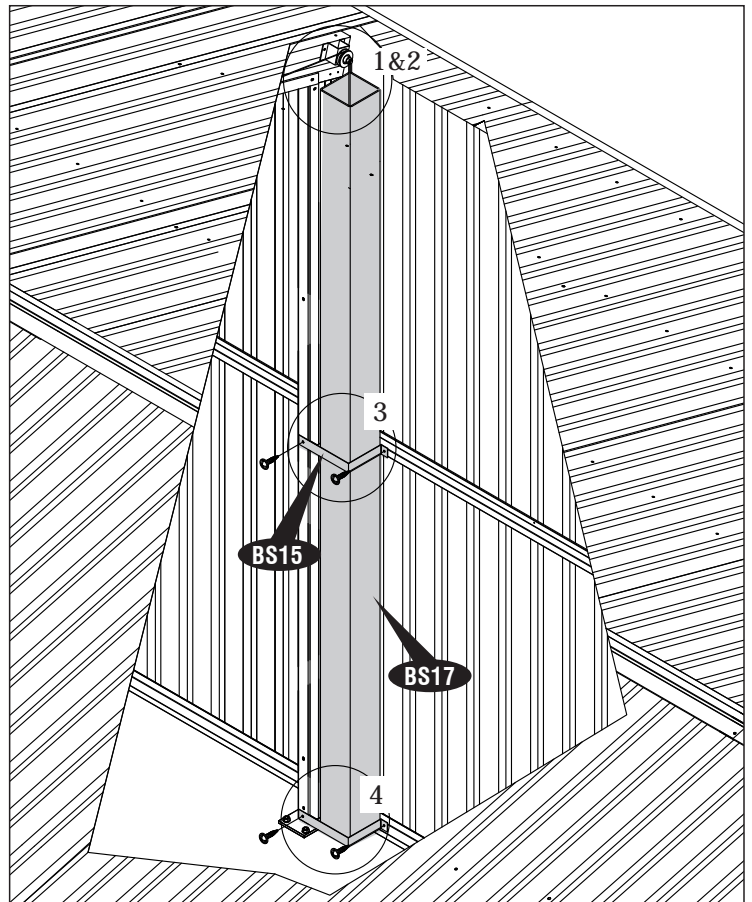


Fig.4



Step - 11

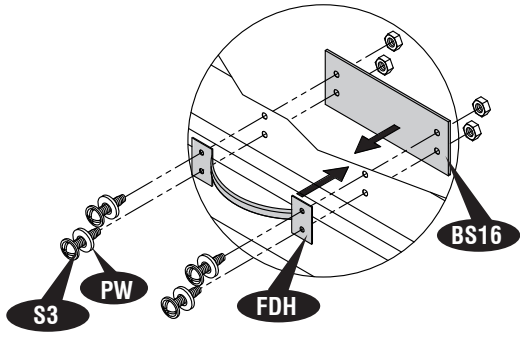


Fig.1

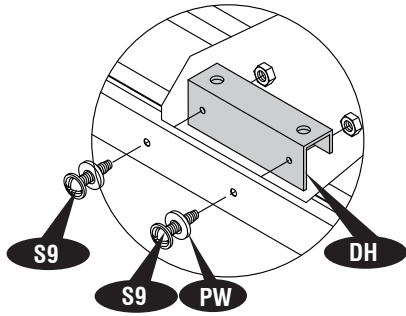
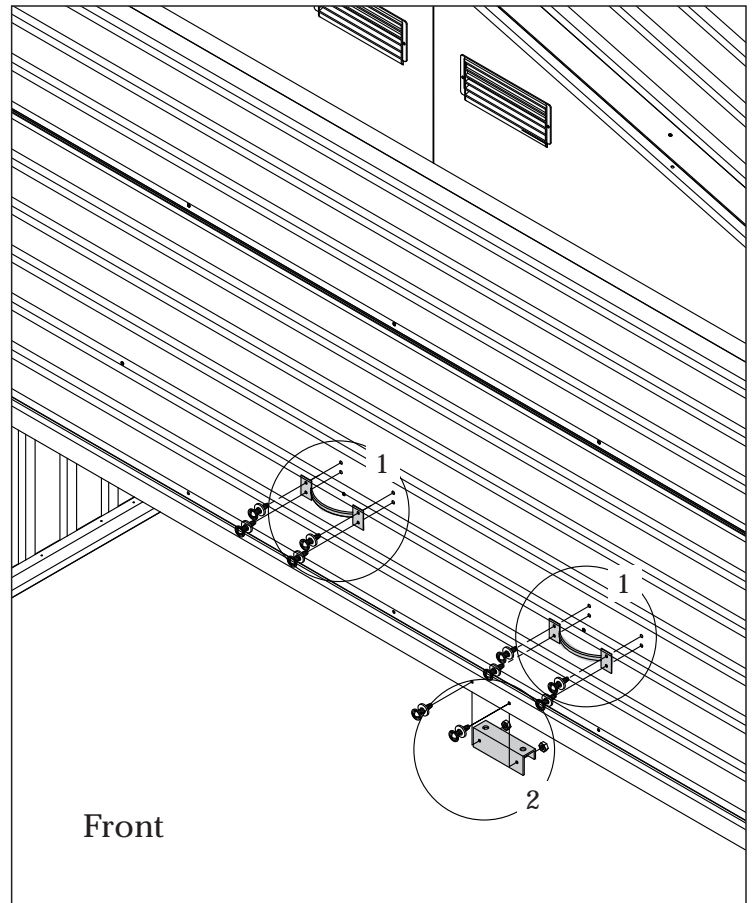


Fig.2



Step - 12

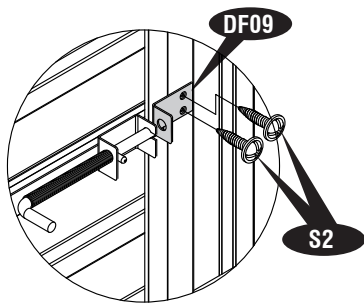
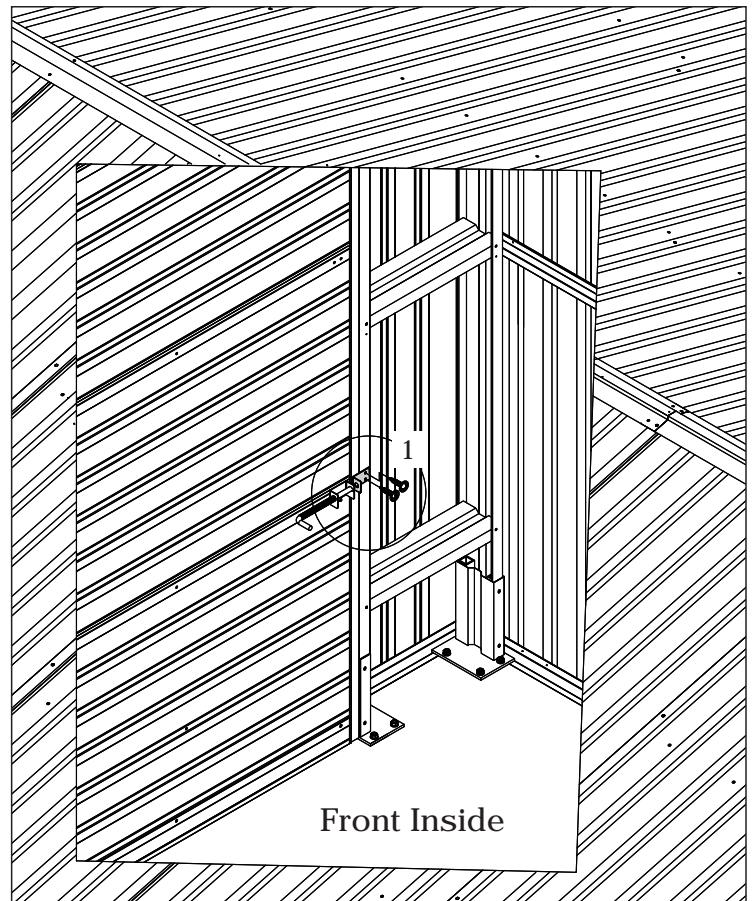


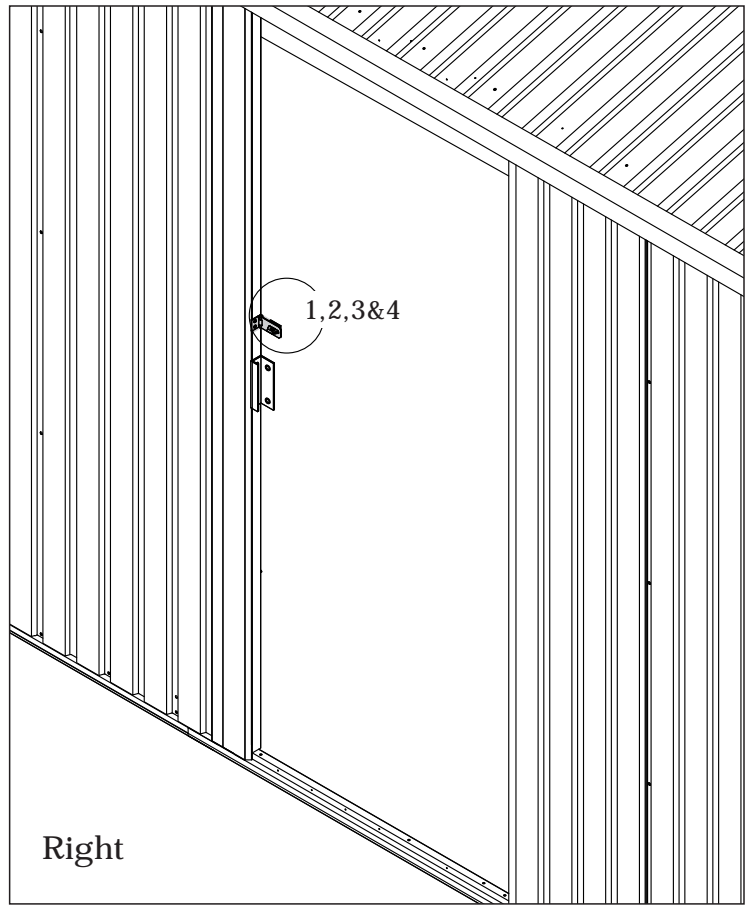
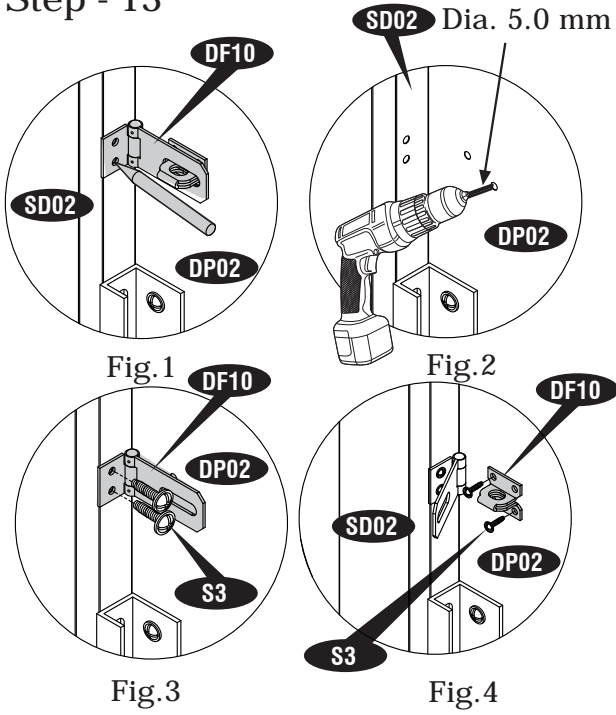
Fig.1



IMPORTANT : “During closing Garage Door in the front , please keep holding Door Handles till it came down to close”.

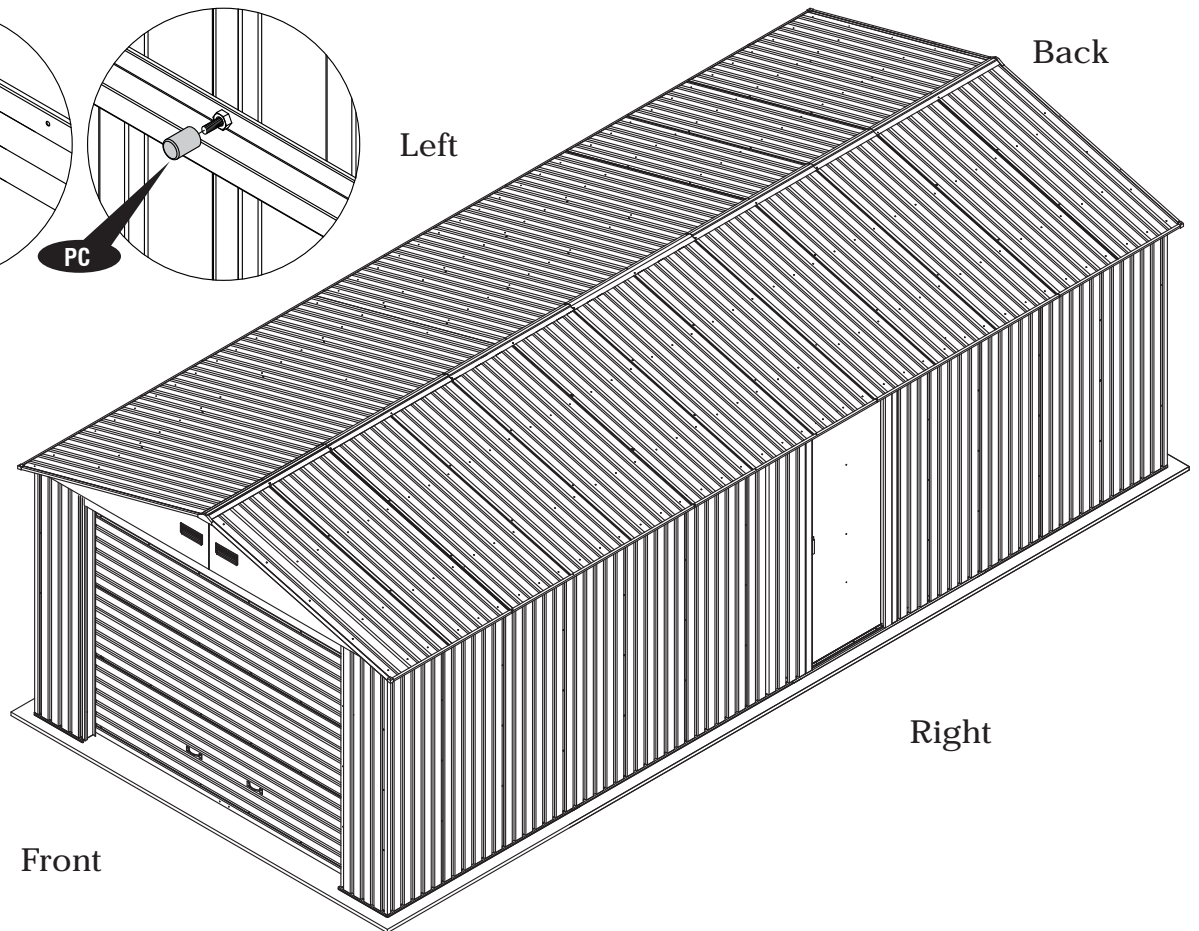
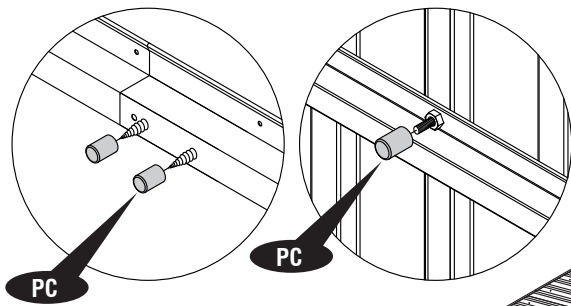
IMPORTANT: USE HAND GLOVES TO PREVENT INJURY.

Step - 13

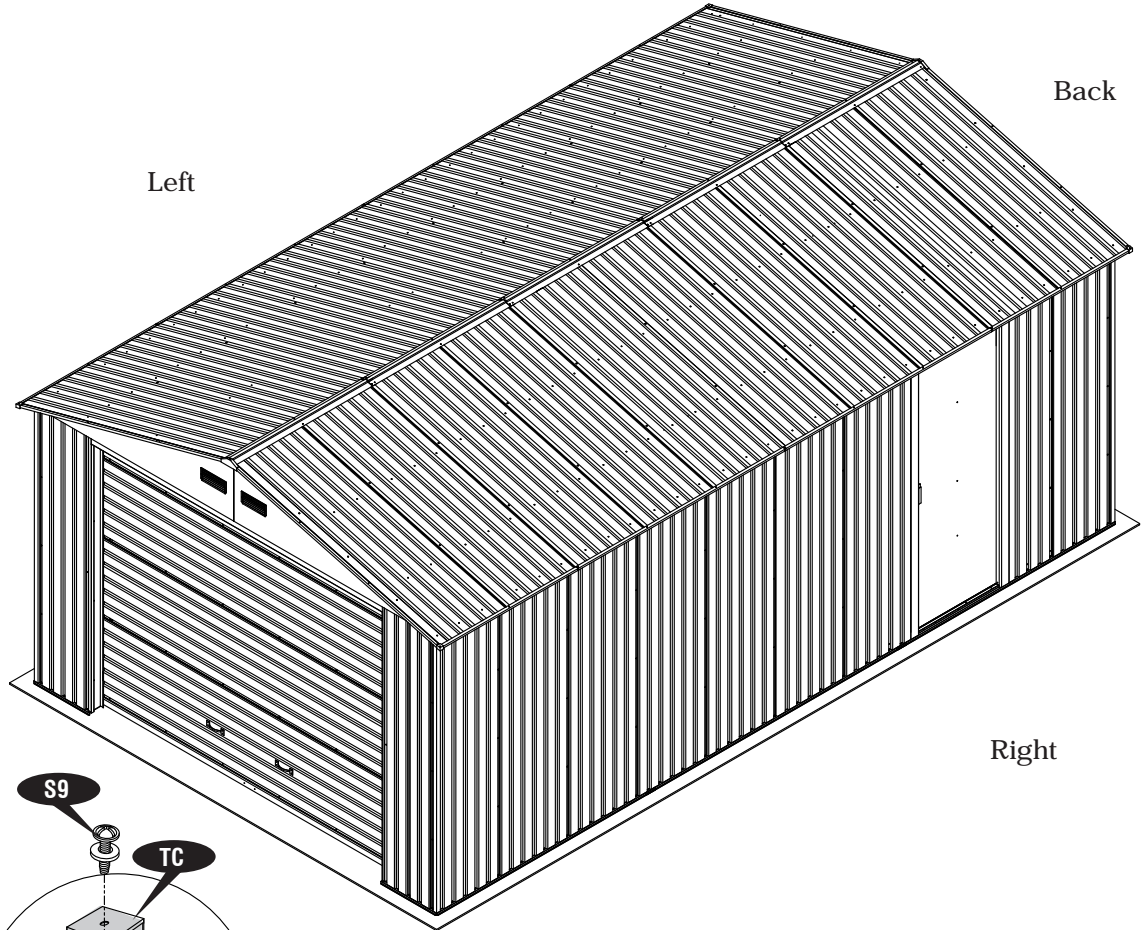


IMPORTANT
Step - 14

Fix the plastic screw cover (PC) to the screws and bolts edge from inside to prevent injury.



PART 2 : Adding Extension Kit to Existing Garage



Step - 1

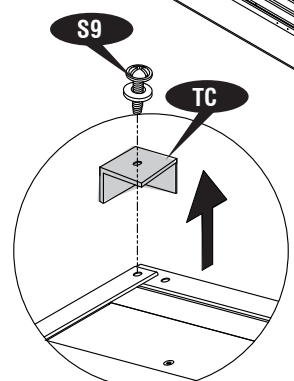


Fig.1

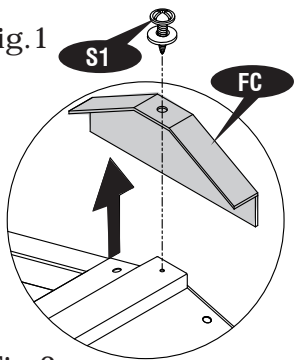


Fig.2

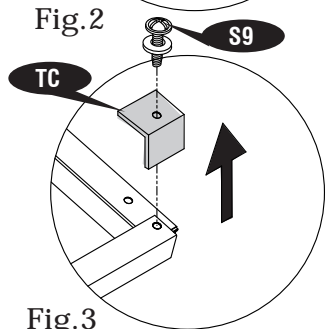
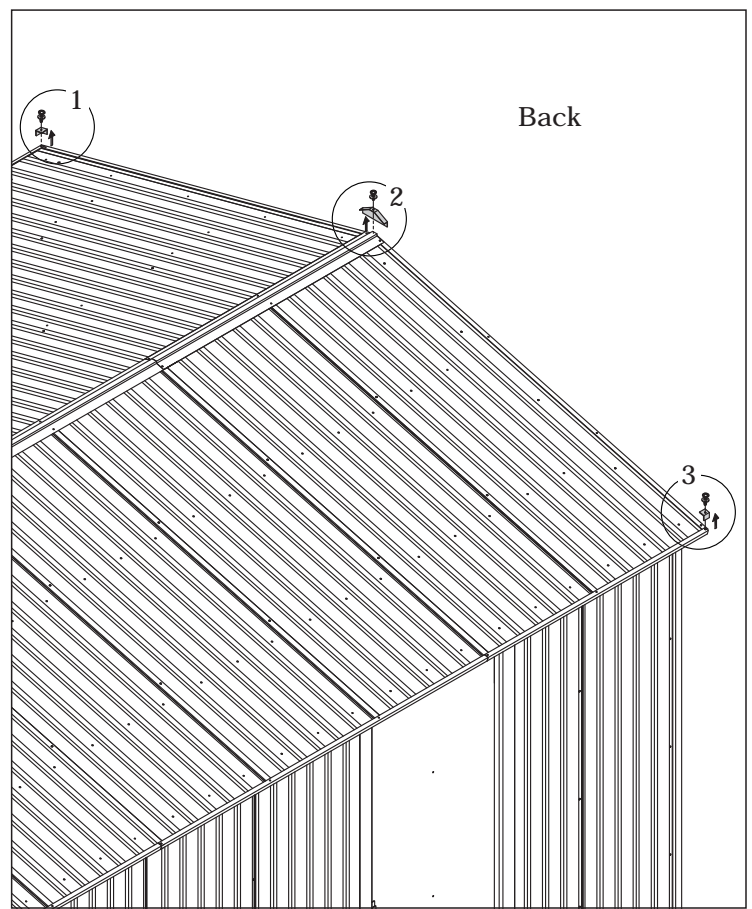


Fig.3



IMPORTANT: USE HAND GLOVES TO PREVENT INJURY.

Step - 2

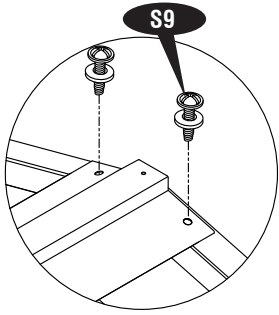


Fig.1

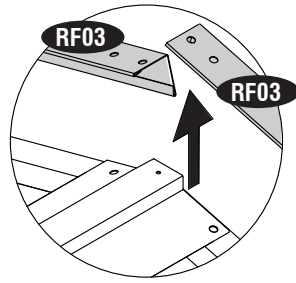


Fig.2

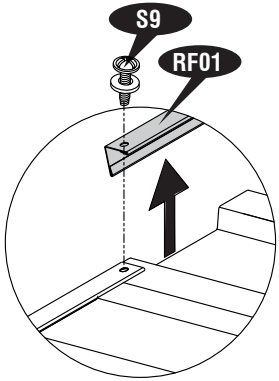


Fig.3

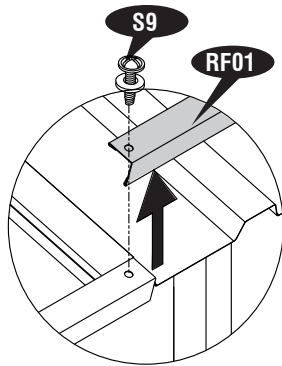
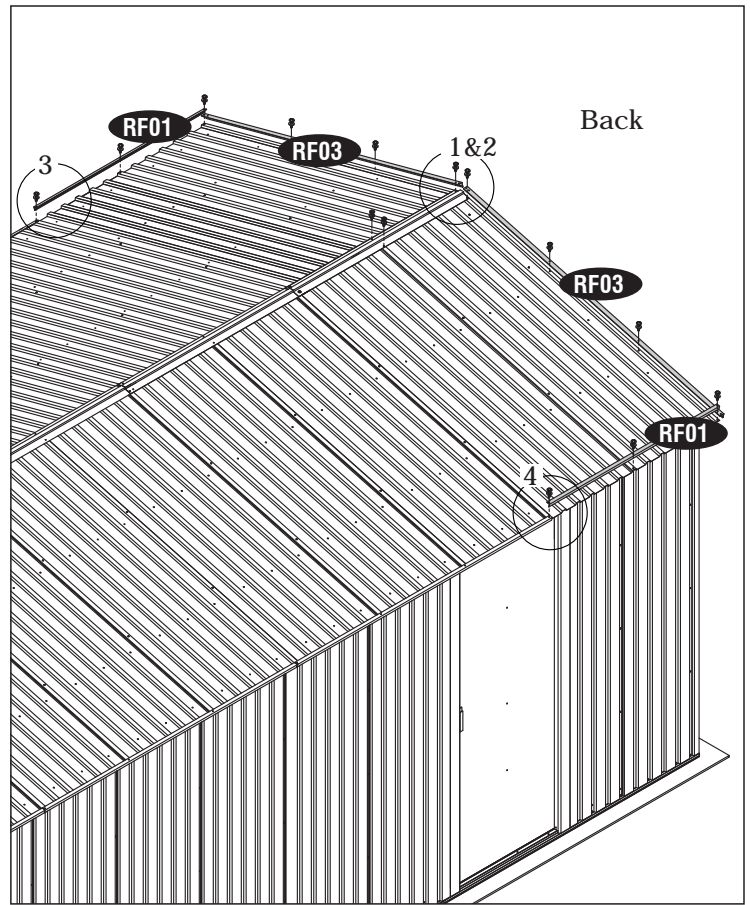
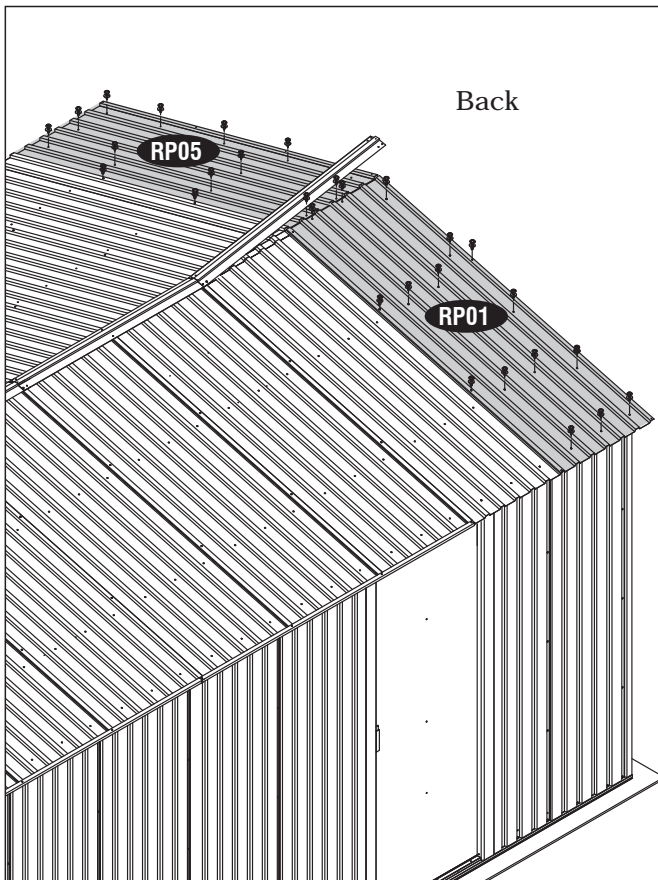


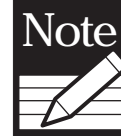
Fig.4



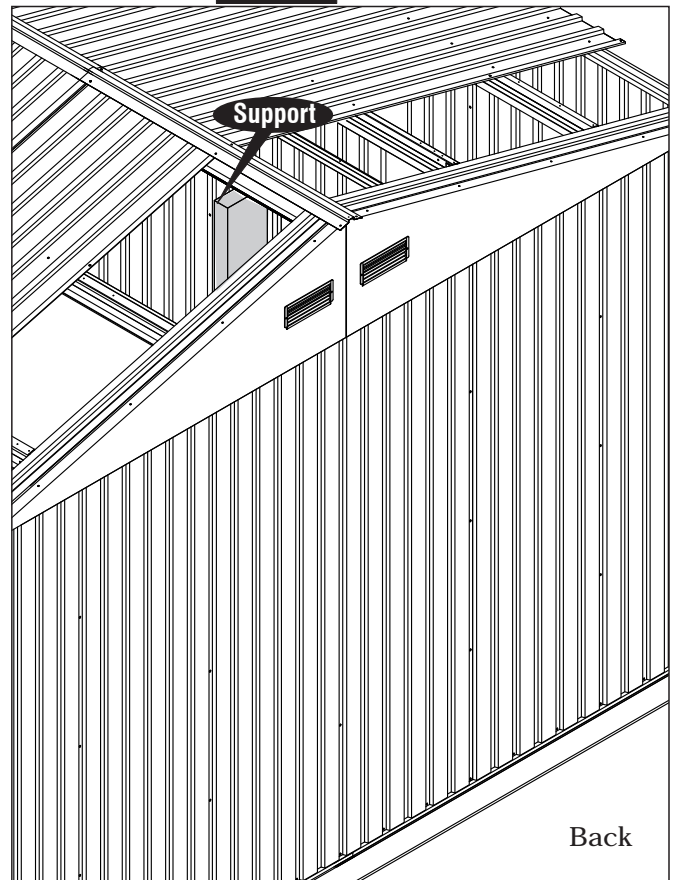
Step - 3



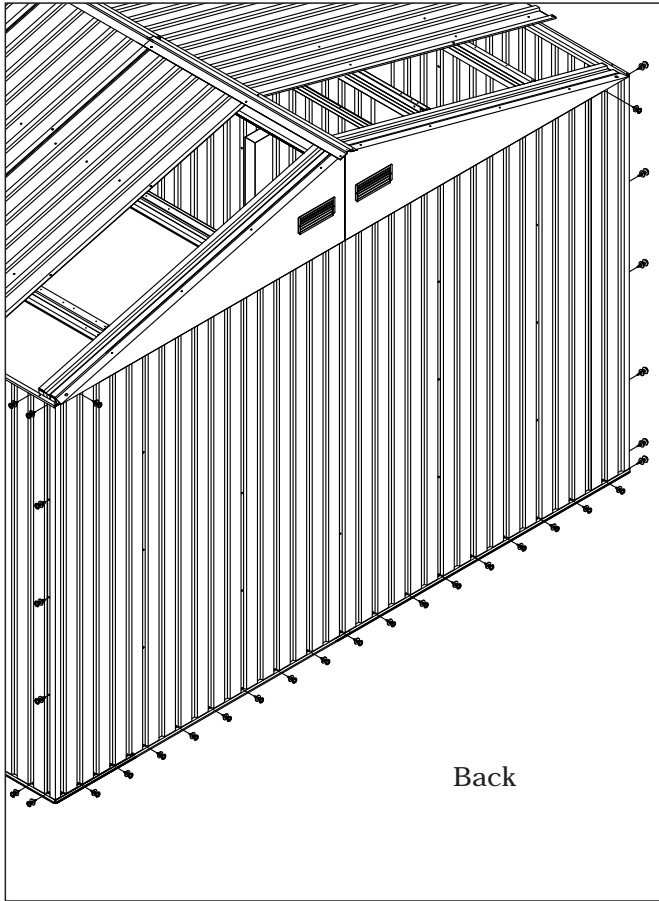
Step - 4



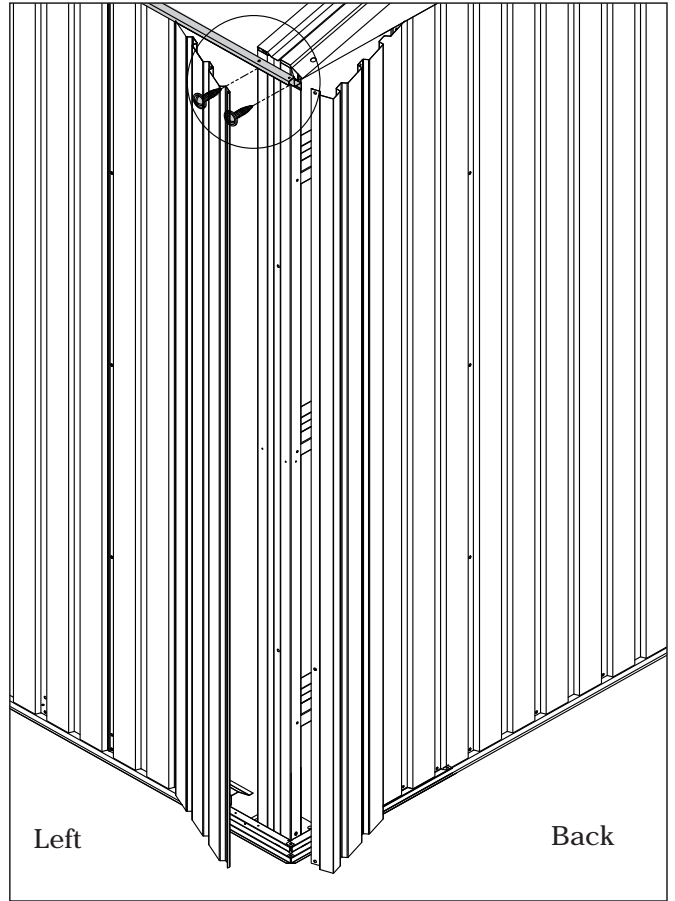
Support not included.



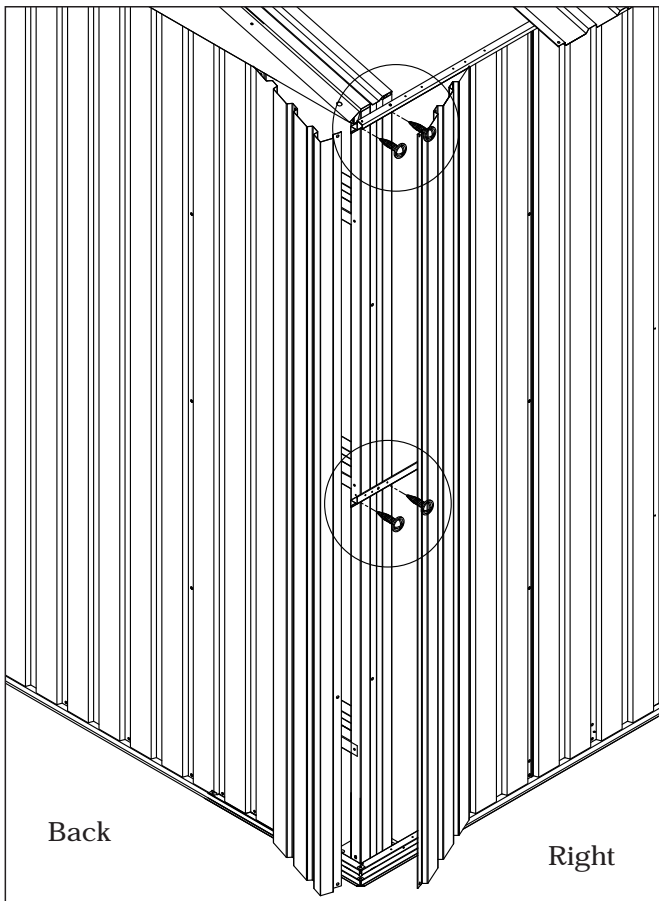
Step - 5



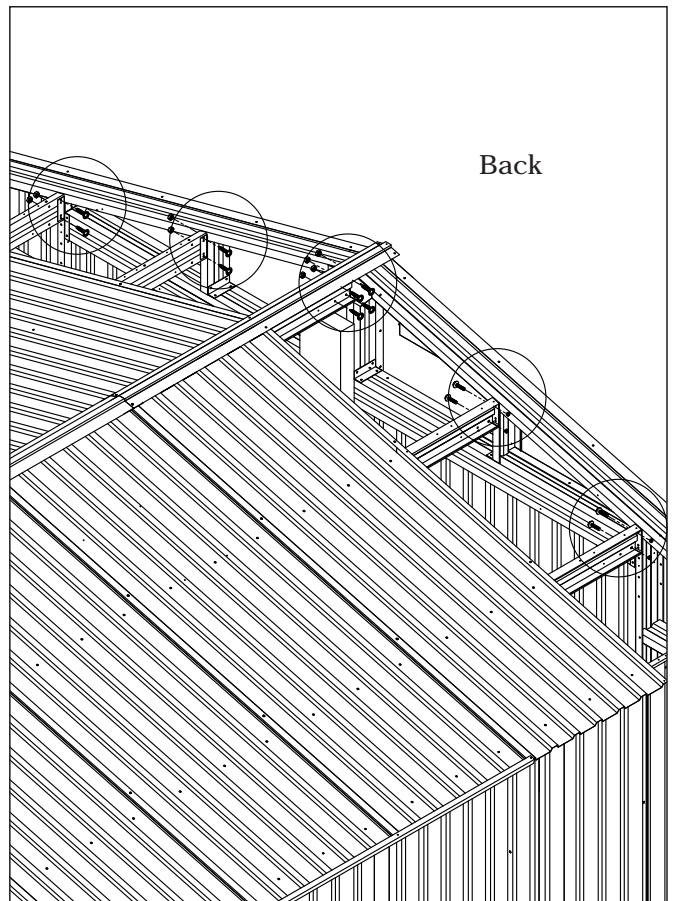
Step - 6



Step - 7



Step - 8



IMPORTANT: USE HAND GLOVES TO PREVENT INJURY.

Step - 9

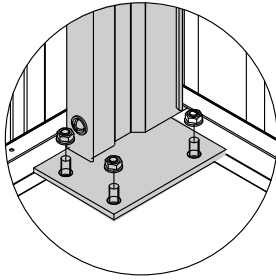


Fig.1

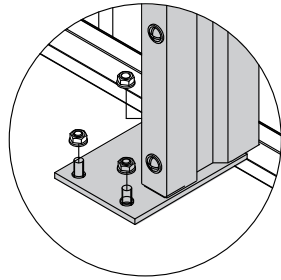


Fig.2

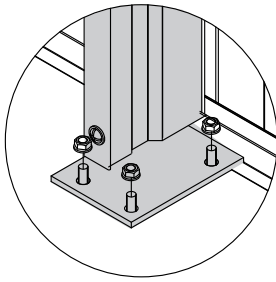


Fig.3

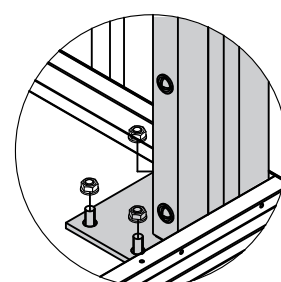
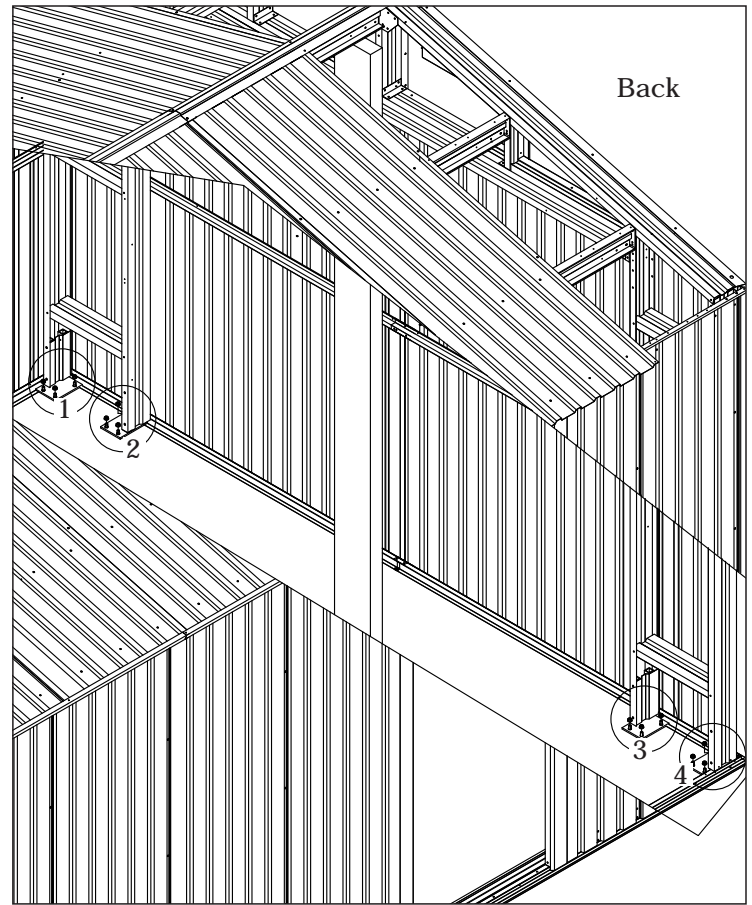
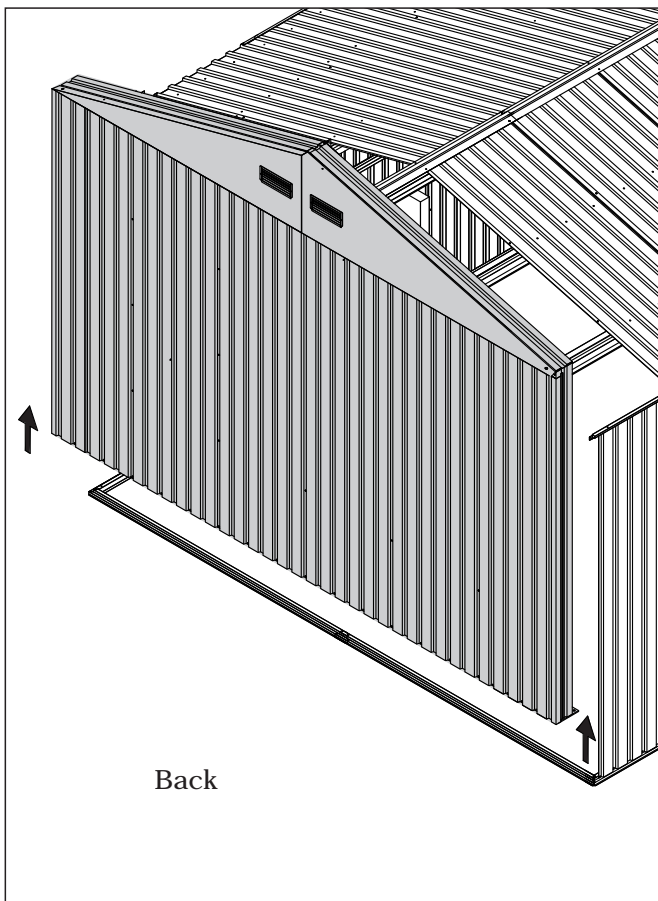


Fig.4



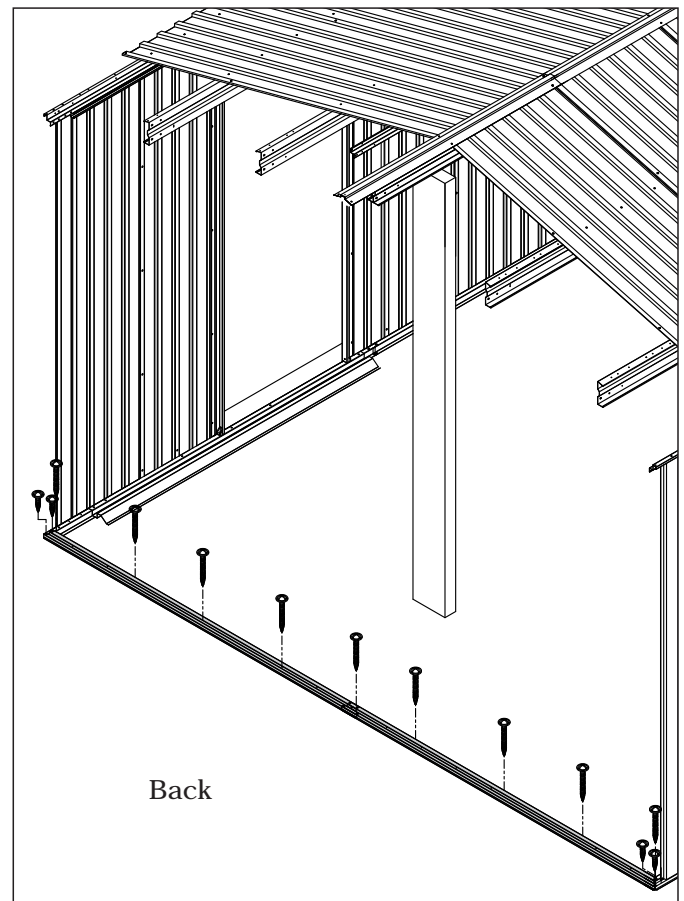
Back

Step - 10



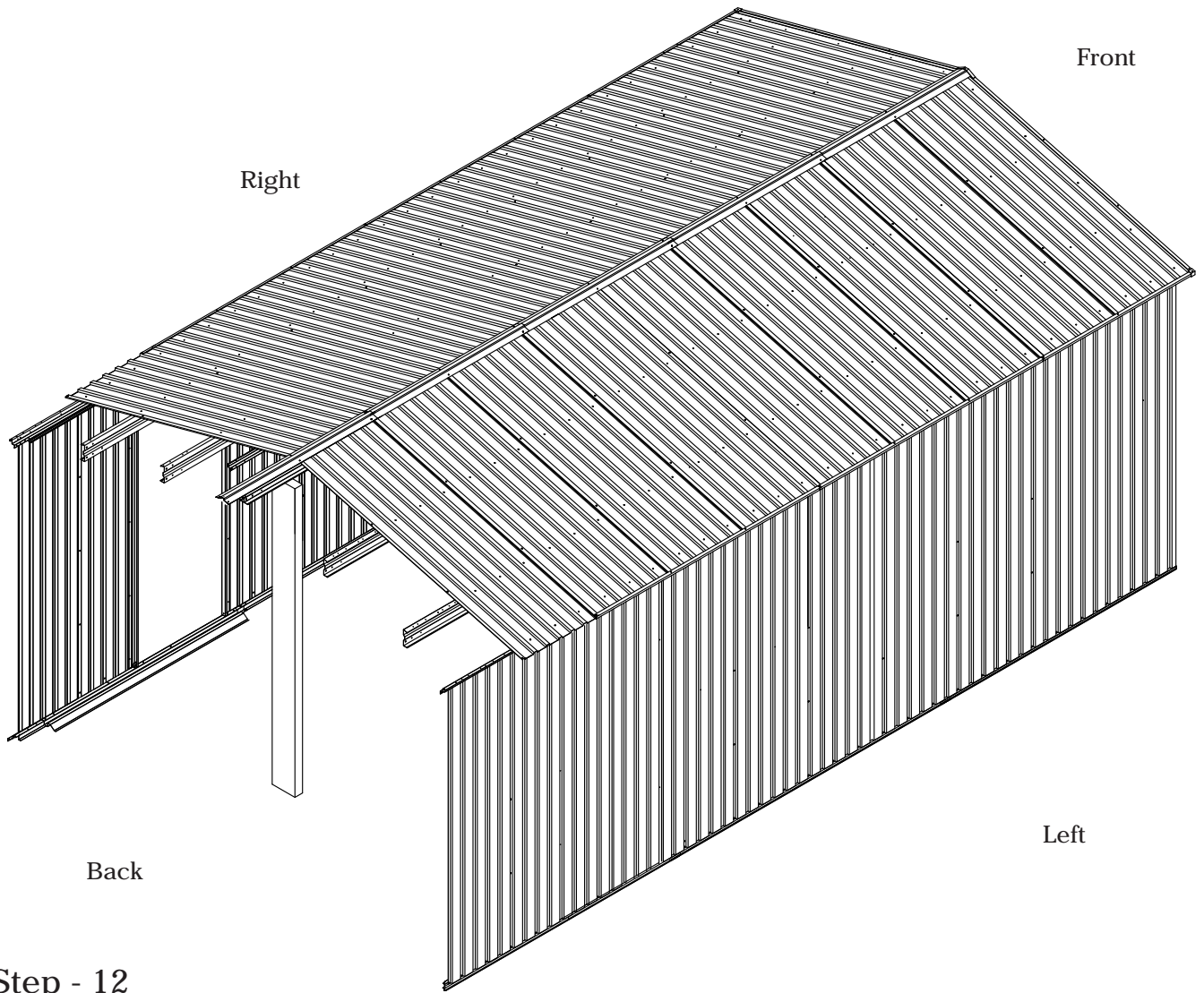
Back

Step - 11



Back

IMPORTANT: USE HAND GLOVES TO PREVENT INJURY.



Step - 12

Come back to 12'x20' MetalGarage Extension Kit manual (PART-1) and follow the steps



IMPORTANT: USE HAND GLOVES TO PREVENT INJURY.



U.S. Polymers, Inc.
1057 S. Vail Ave
Montebello, CA 90640,
United States of America

English

RD-5.0 | 02-05-2023